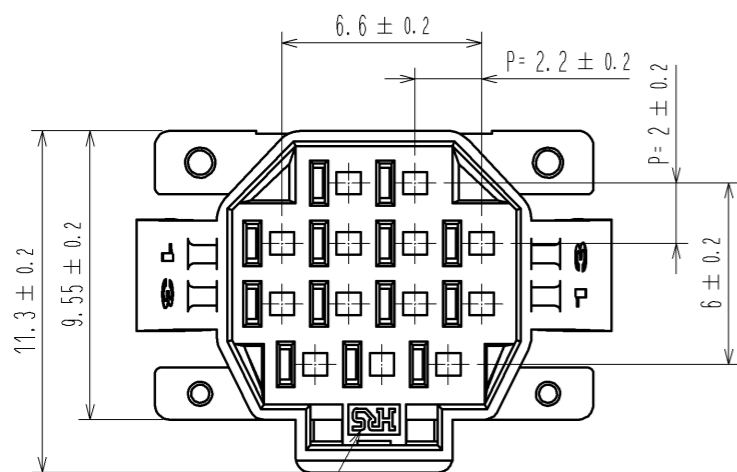
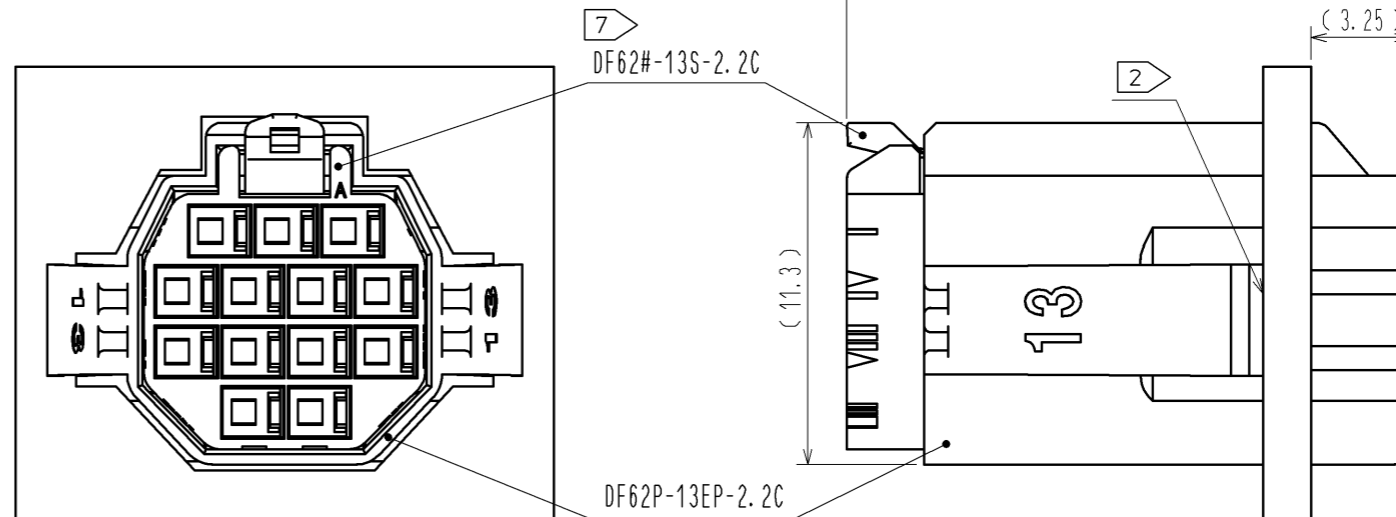


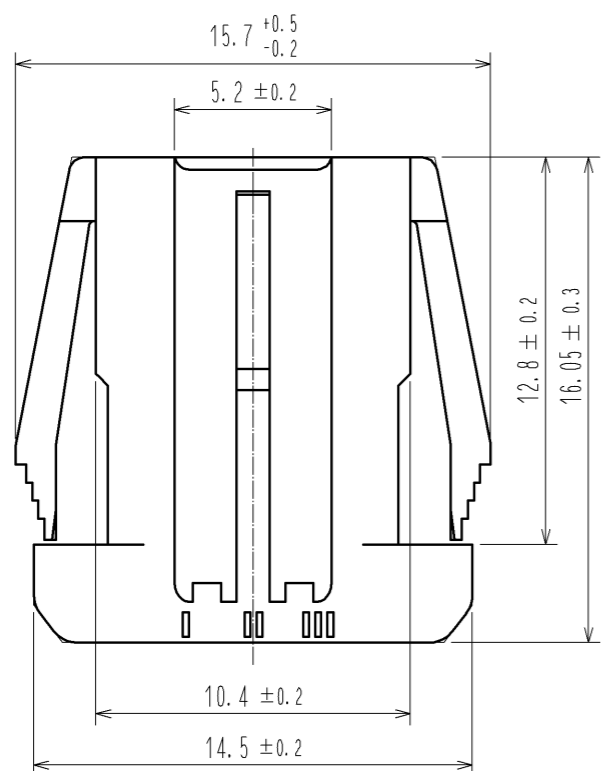
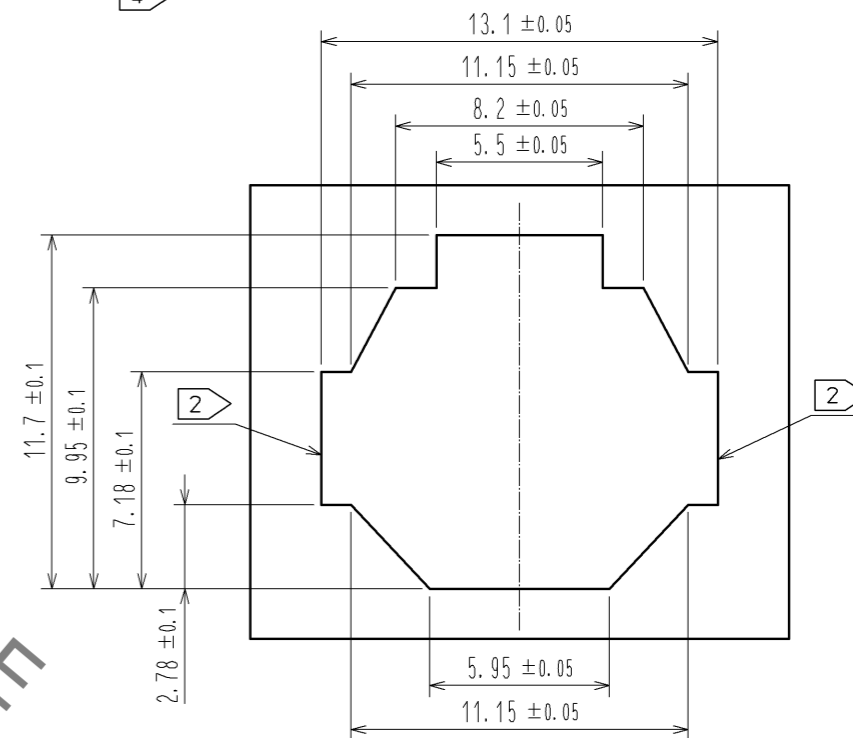
May.1.2023 Copyright 2023 HIROSE ELECTRIC CO., LTD. All Rights Reserved.
In case of consideration for using Automotive equipment / device which demand high reliability, kindly contact our sales window correspondents.



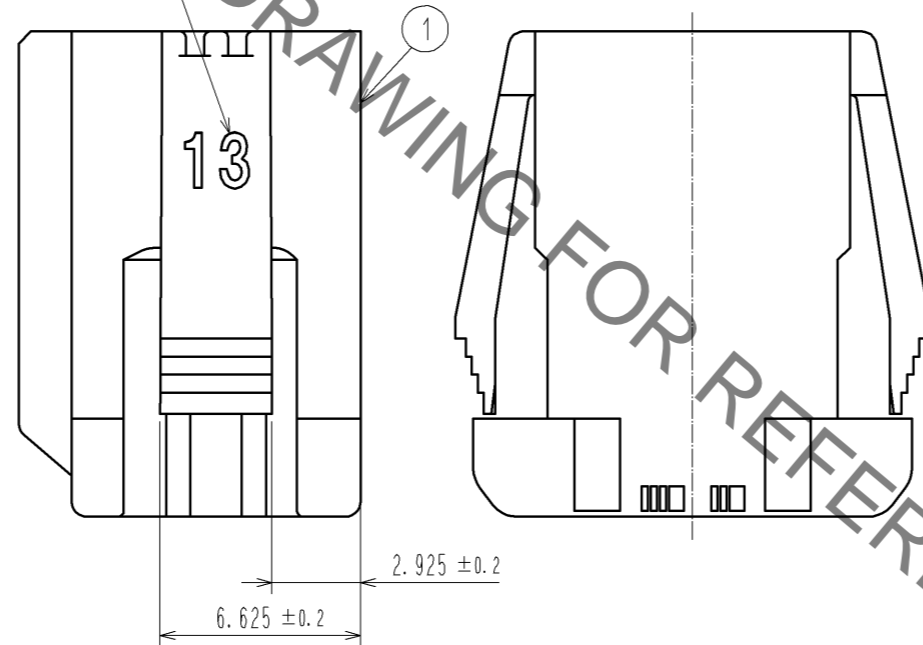
7 MATING FIGURE (PANEL MOUNTED)



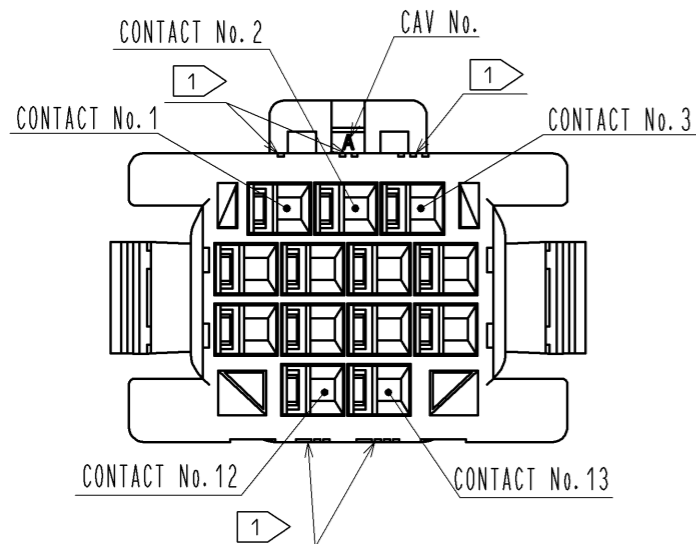
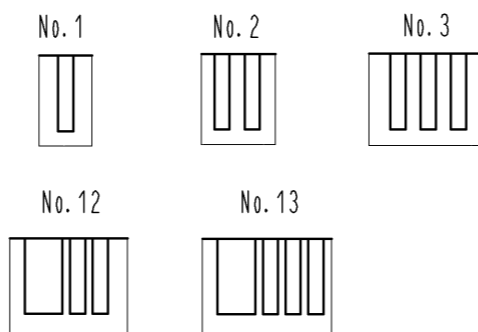
3 4 RECOMMENDED PANEL CUTOUT DIMENSION



NUMBER OF POS



1 FIGURE-1 CONTACT No. MARKING (10:1)



- NOTE.
- 1 MARKINGS AT THE INDICATED POSITIONS ARE CONTACT NO. MARKING. AND SHAPES ARE SHOWN IN FIGURE-1.
 - 2 PLEASE USE THE NON-RADIUS SIDE FOR THE PANEL HOOKING AREA.
 - 3 APPLICABLE PANEL THICKENING IS 2.3 TO 0.5mm.
 - 4 CONSULT HIROSE FOR THE OTHER PANEL CUTOUT DESIGNS THAN THE RECOMMENDED ONE.
 - 5. PER PACK : 100 PIECES.
 - 6. THE DIMENSIONS IN PARENTHESIS ARE FOR REFERENCE.
 - 7 THIS FIGURE SHOWS THE MATED CONDITION WITH DF62B-13S-2.2C.

NO.		MATERIAL		FINISH . REMARKS		1	PBT	UL94V-0(CBLACK)		
UNITS mm		SCALE 4 : 1		COUNT		DESCRIPTION OF REVISIONS		DESIGNED	CHECKED	DATE
APPROVED : KI. AKIYAMA		13.12.26		DRAWING NO.		EDC3-349141-00				
CHECED : OM. MIYAMOTO		13.12.26		PART NO.		DF62P-13EP-2.2C				
DESIGNED : TH. YOSHIZAWA		13.12.26		CODE NO.		CL544-0549-8-00				
DRAWN : MI. SAKIMURA		13.12.25								