

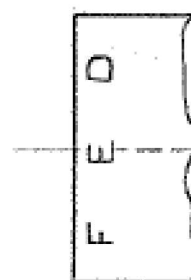
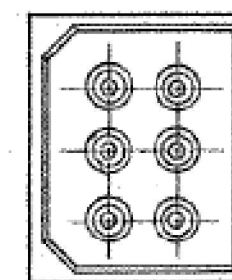
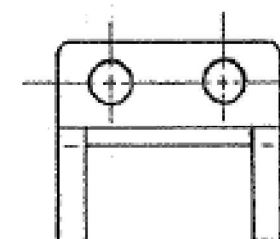
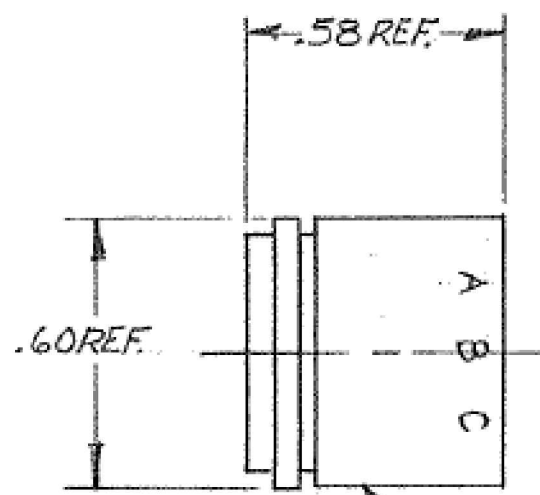
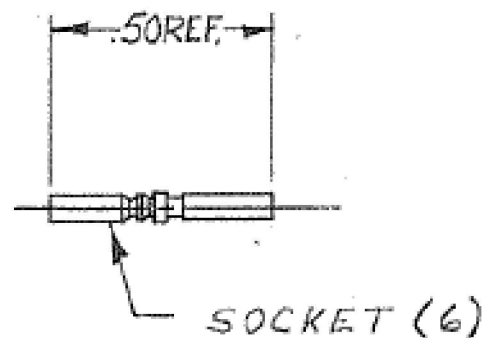
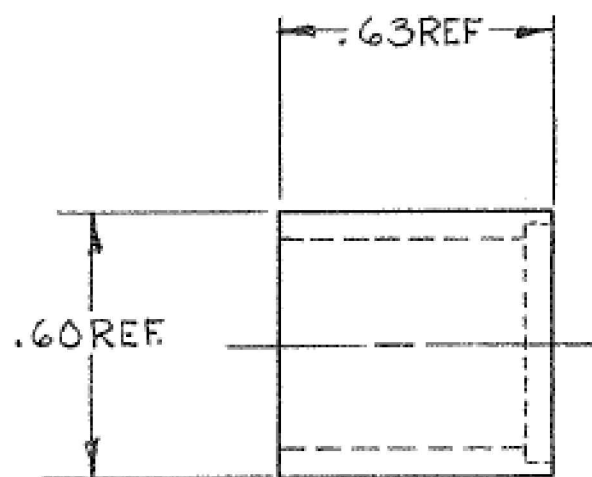
THIS DRAWING IS UNPUBLISHED.

RELEASED FOR PUBLICATION

ALL RIGHTS RESERVED.

© COPYRIGHT - By -

| LOC | DIST | REVISIONS | | | |
|-----|------|---------------|-----------|-----|------|
| P | LTR | DESCRIPTION | DATE | DWN | APVD |
| | E | ECO-14-006390 | 12AUG2014 | MGM | CT |

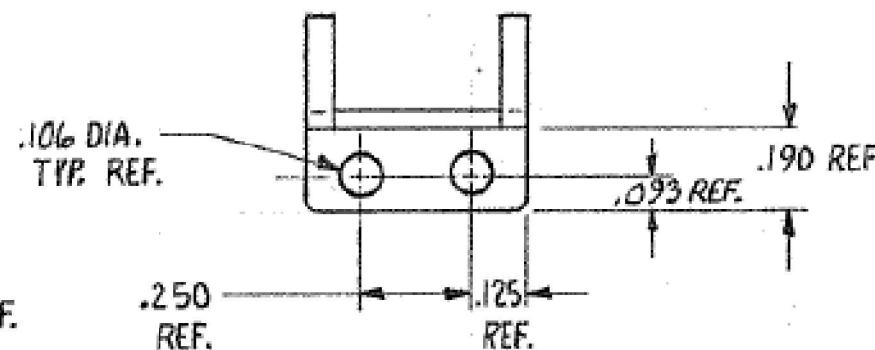


POTTING SHELL

SHELL, 6 PIN RECEPTACLE

MOUNTING BRACKET
TYP. (2)
USED ONLY FOR -2 & 5-2

.106 DIA.
TYP. REF.



| 5-861393-2 | WITH MOUNTING BRACKETS TIN PLATED PER ASTM-B-545 |
|------------|--|
| 861393-2 | WITH MOUNTING BRACKETS 93/7 TIN-LEAD PLATED |
| 861393-1 | W/O MOUNTING BRACKETS |
| PART NO. | DESCRIPTION |

NOTE:

- 1) CAVITY LETTERS MARKED
- 2) SEE 862091-1 FOR ASSEMBLY INSTRUCTIONS.

| | | | | | | | | | | | | | | | | | |
|--|-----|-------------------------------|------------------------|--------------|--------------------|------------------------|--------------------|-------|-----|-------|-----|--------|-----|-------------------|--------------------------|--|--|
| THIS DRAWING IS A CONTROLLED DOCUMENT. | | DWN C. KUSTER 05AUG1974 | TE Connectivity | | | | | | | | | | | | | | |
| DIMENSIONS: INCHES | | CHK C. KUSTER 05AUG1974 | | | | | | | | | | | | | | | |
| TOLERANCES UNLESS OTHERWISE SPECIFIED: | | APVD - | NAME - | | | | | | | | | | | | | | |
| <table border="0"> <tr> <td>0 PLC</td> <td>± -</td> </tr> <tr> <td>1 PLC</td> <td>± -</td> </tr> <tr> <td>2 PLC</td> <td>± -</td> </tr> <tr> <td>3 PLC</td> <td>± -</td> </tr> <tr> <td>4 PLC</td> <td>± -</td> </tr> <tr> <td>ANGLES</td> <td>± -</td> </tr> </table> | | 0 PLC | ± - | 1 PLC | ± - | 2 PLC | ± - | 3 PLC | ± - | 4 PLC | ± - | ANGLES | ± - | PRODUCT SPEC - | RECEPTACLE ASSY KIT, LGH | | |
| 0 PLC | ± - | | | | | | | | | | | | | | | | |
| 1 PLC | ± - | | | | | | | | | | | | | | | | |
| 2 PLC | ± - | | | | | | | | | | | | | | | | |
| 3 PLC | ± - | | | | | | | | | | | | | | | | |
| 4 PLC | ± - | | | | | | | | | | | | | | | | |
| ANGLES | ± - | | | | | | | | | | | | | | | | |
| MATERIAL - | | FINISH - | APPLICATION SPEC - | SIZE A3 | CAGE CODE 00779 | DRAWING NO C-861393 | RESTRICTED TO - | | | | | | | | | | |
| CUSTOMER DRAWING | | | WEIGHT - | SCALE 1:1 | SHEET 1 OF 1 | REV E | | | | | | | | | | | |