

Han TC350 PE male contact 35mm²

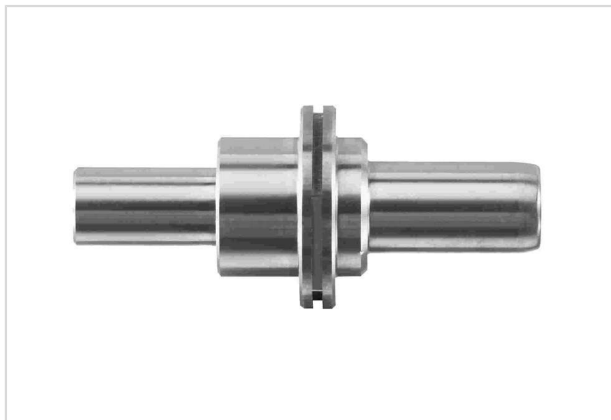


Image is for illustration purposes only. Please refer to product description.

| | |
|--------------------|---|
| Part number | 09 11 000 6172 |
| Specification | Han TC350 PE male contact 35mm ² |
| HARTING eCatalogue | https://b2b.harting.com/09110006172 |

Identification

| | |
|-----------------|------------|
| Category | Contacts |
| Series | TC 350 |
| Type of contact | PE contact |

Version

| | |
|-----------------------|-------------------|
| Termination method | Crimp termination |
| Gender | Male |
| Manufacturing process | Turned contacts |

Details

The vibration and shock resistance can only be met if the cables are fixed at an appropriate distance. Instructions for the spacing of strain relief can be found in the document in eCatalogue under the section Instructions.

Technical characteristics

| | |
|-------------------------|------------------------------|
| Conductor cross-section | 35 mm ² |
| Operating current | ≤350 A |
| Contact resistance | ≤0.3 mΩ |
| Stripping length | 26 mm |
| Limiting temperature | -40 ... +125 °C |
| Mating cycles | ≥500 |
| Vibration resistance | Category 2 acc. to IEC 61373 |
| Shock resistance | Category 2 acc. to IEC 61373 |

Material properties

| | |
|---------------------|--------------|
| Material (contacts) | Copper alloy |
|---------------------|--------------|



Pushing Performance
Since 1945

Material properties

| | |
|--------------------------------------|--|
| Surface (contacts) | Silver plated |
| RoHS | compliant with exemption |
| RoHS exemptions | 6(c): Copper alloy containing up to 4 % lead by weight |
| ELV status | compliant with exemption |
| China RoHS | 50 |
| REACH Annex XVII substances | Not contained |
| REACH ANNEX XIV substances | Not contained |
| REACH SVHC substances | Yes |
| REACH SVHC substances | Lead |
| ECHA SCIP number | b51e5b97-eeb5-438b-8538-f1771d43c17d |
| California Proposition 65 substances | Yes |
| California Proposition 65 substances | Lead Nickel |

Specifications and approvals

| | |
|----------------|--------------------------|
| Specifications | IEC 60664-1 IEC 61984 |
|----------------|--------------------------|

Commercial data

| | |
|--------------------------------|--|
| Packaging size | 1 |
| Net weight | 145.4 g |
| Country of origin | Germany |
| European customs tariff number | 85359000 |
| GTIN | 5713140188563 |
| eCl@ss | 27440204 Contact for industrial connectors |