



NGC CONNECTOR SERIES

4, 6, 12 & 28 POLES SIGNAL CONNECTOR

Technical Characteristics

Electrical

- Insulation Resistance : > 5000 M Ω
- Crimp Contact : 0.5 to 2.5 mm² (AWG20 to AWG13)
- Cable Capacities :
 - EN 50264-2-1 & EN 50264-3-1 (type 0.6/1 kV) : up to 1.5 mm²
 - EN 50306-2 cat. M : 0.5 to 2.5 mm²
- Grommet Capacity : \varnothing 1.15 to 2.85 mm
- Service Voltage :
 - 220 V AC/DC according to NF F 61-030
 - 500 V AC/DC according to EN 50124-1/A2 (OV3-PD2)
- Withstanding voltage :
 - 2550 V according NF F 61-030
 - 3500 V according to EN 50124-1/A2 (OV3-PD2)
- Nominal Current : up to 20 A
- According to NF F 61-030

Environmental

- Service Temperature : -40°C +100°C (-40°F +212°F)
- Salt Spray : > 250 hours
- Protection Index : IP 66 mated according to EN 60529
- Fluid Resistance : gas oil, mineral oil, acid, base and cutting fluid

Material

- Contact : Gold or silver plated brass
- Housing : Fiber glass reinforced polyamide
- Grommet and seal : Silicone
- Fire & Smoke :
 - EN 45545-2 : HL3 (R22 & R23)
 - Requirement 2 according to NF F 16-101 & NF F 16-102
 - UL94V0

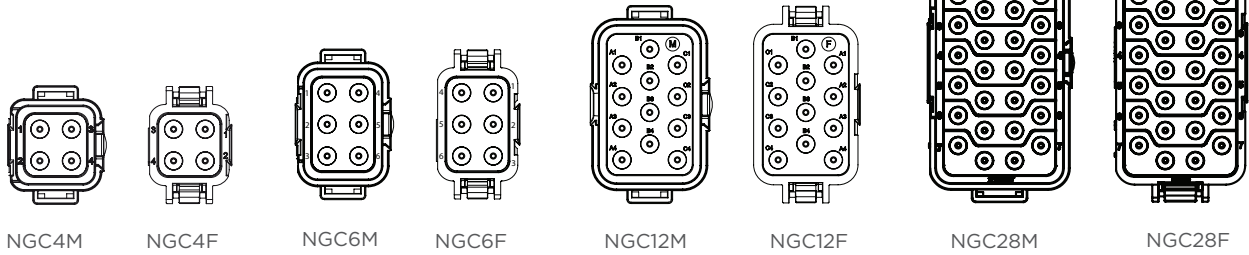
Mechanical

- Durability : 500 mating cycles
- Vibration & Shocks resistance : EN 61373 (Category 1B)

Wiring Implementation Instructions

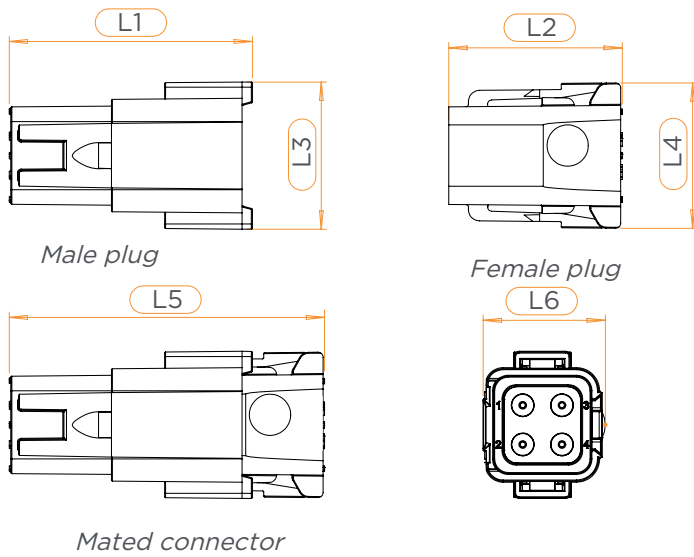
See FT10029

Arrangements & Part numbers



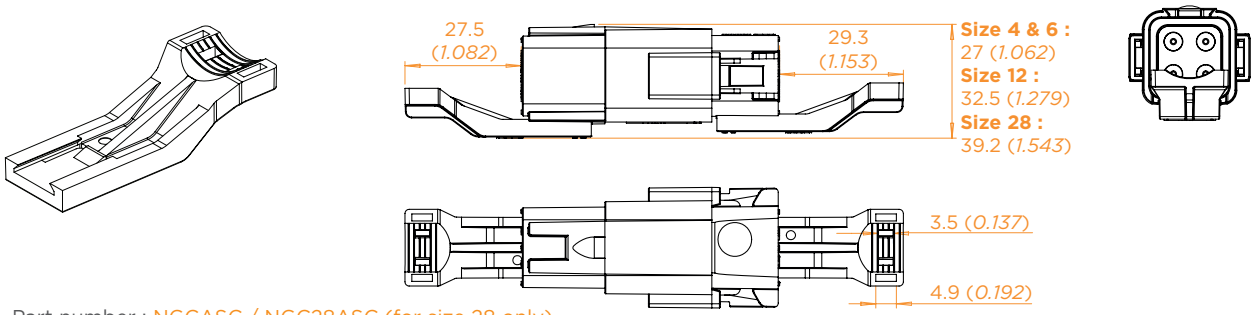
M : Male F : Female

Dimensions



Size	Dimensions (mm)						Weight (± 5% g) (without contacts)	
	L1	L2	L3	L4	L5	L6	Male receptacle	Female plug
4	46.8 (1.842)	33.3 (1.311)	28.5 (1.122)	28.2 (1.110)	61 (2.401)	23.7 (0.933)	17	14,9
6			36.2 (1.425)	35.9 (1.413)			29.3 (1.153)	23
12			47.6 (1.874)	47.3 (1.862)		38,5		36,8
28			49.8 (1.960)	36.3 (1.429)		70.4 (2.771)	70.4 (2.771)	66.5 (2.618)

Accessory : Strain Relief (mm/inch)



Cables tightening with a plastic collar

