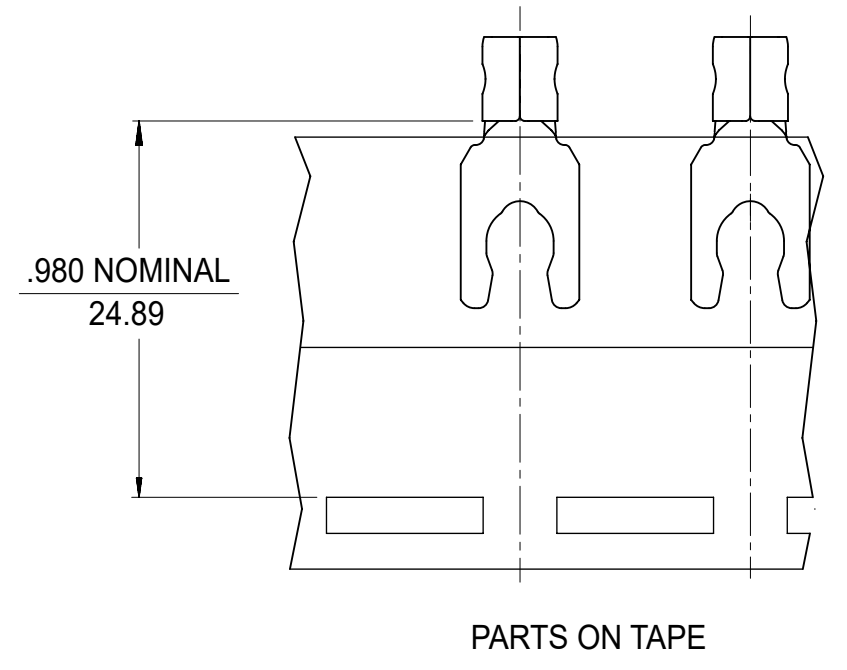
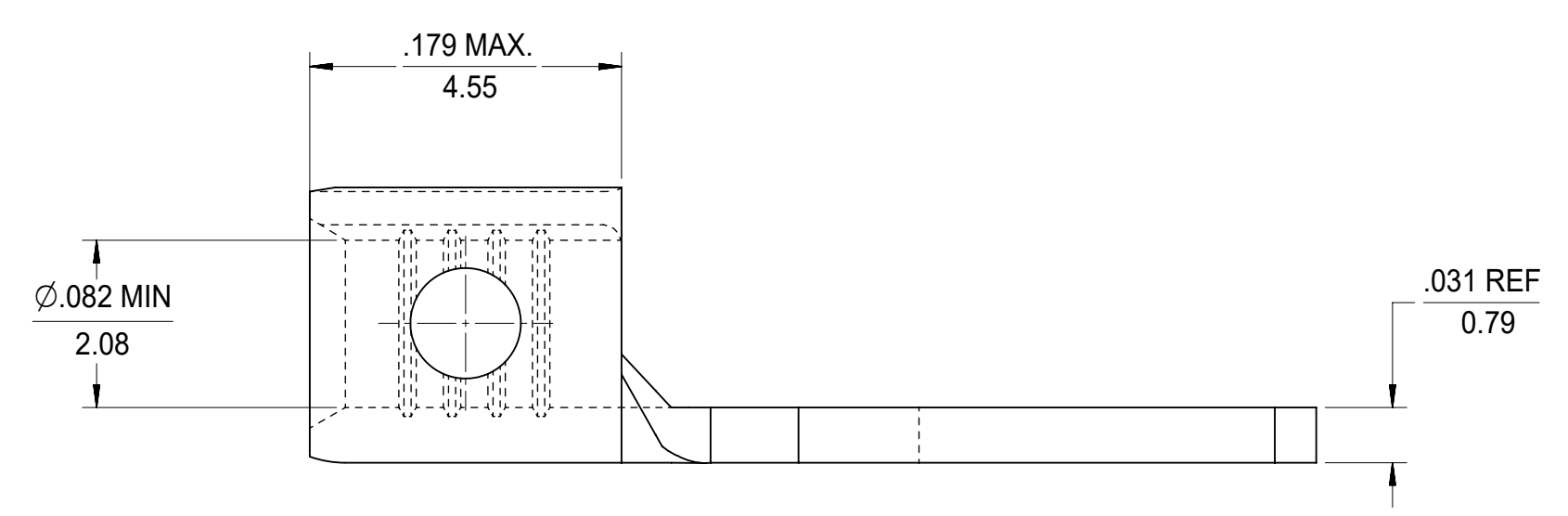
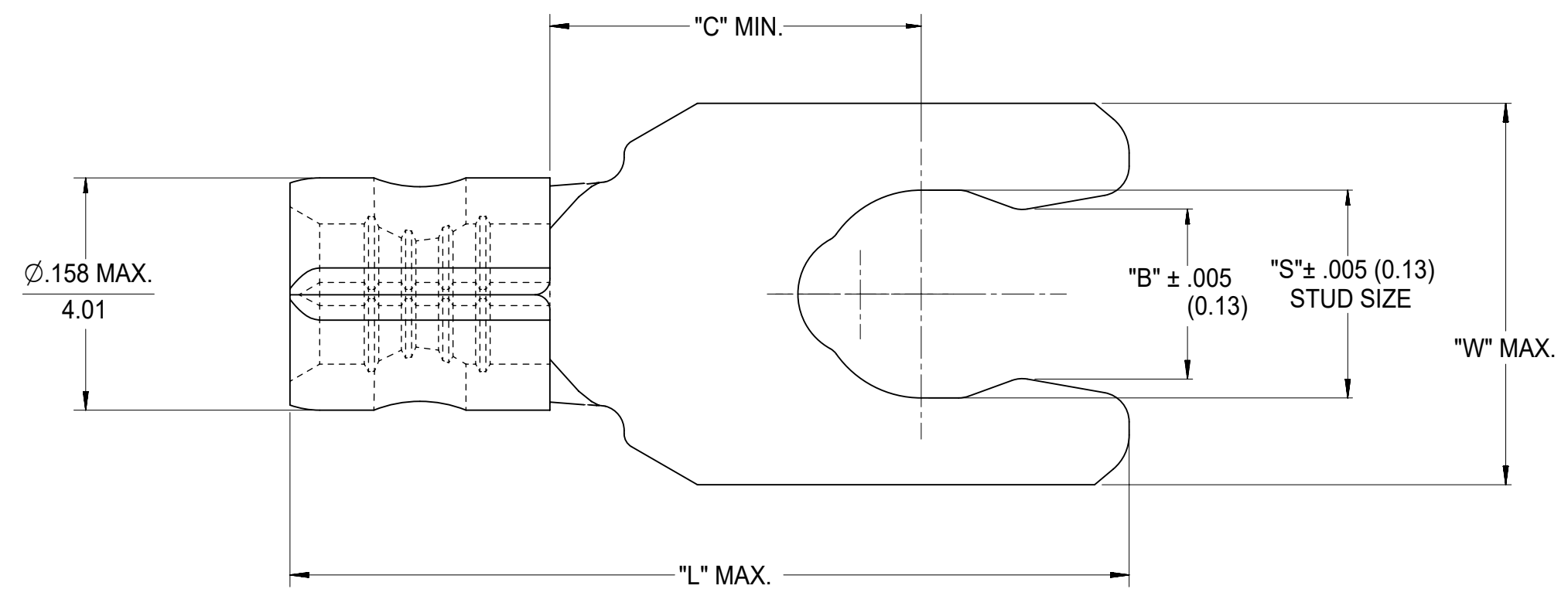


MATERIAL NO. (LOOSE PIECE)	ENGINEERING NO. (LOOSE PIECE)	MATERIAL NO. (TAPE MOUNTED)	ENGINEERING NO. (TAPE MOUNTED)	STUD SIZE	"S" ± .005 (0.13)	DIM "B" ±.005(0.13)	DIM "C"	DIM "L"	DIM "W"
190980041	BB-1707-05	190980042	BB-1707-05T	5	.127(3.23)	.105/2.67	.230/5.84	.585/14.86	.265/6.73
190980043	BB-1707-06	190980044	BB-1707-06T	6	.146(3.71)	.114/2.90	.230/5.84	.585/14.86	.265/6.73
190980047	BB-1716-08	190980048	BB-1716-08T	8	.173(4.39)	.139/3.53	.261/6.63	.646/16.41	.320/8.13
190980049	BB-1717-10	190980050	BB-1717-10T	10	.198(5.03)	.156/3.96	.261/6.63	.694/17.63	.340/8.64

(B1)



NOTE(S):
 1. MATERIAL: COPPER .031 (0.79) THICK
 2. PLATING: ELECTRO-TIN
 3. PARTS ARE RoHS COMPLIANT

FUNCTIONAL SYMBOLS FA = 0 FC = 0 FP = 0 DIVISIONAL SYMBOLS	THIS DRAWING CONTAINS INFORMATION THAT IS PROPRIETARY TO MOLEX ELECTRONIC TECHNOLOGIES, LLC AND SHOULD NOT BE USED WITHOUT WRITTEN PERMISSION											
	DIMENSION UNITS		SCALE		CURRENT REV DESC: ADD MISSING STUD DIM'S COLUMN							
	IN/MM		10:1									
	GENERAL TOLERANCES (UNLESS SPECIFIED)										EC NO: 718780 DRWN: DMYRICK 2022/08/23 CHK'D: JMACNEIL 2022/08/23 APPR: JMACNEIL 2022/08/23 INITIAL REVISION: DRWN: APPR:	
	4 PLACES		±		MM		INCH					
3 PLACES		±	± 0.005									
2 PLACES		±	± 0.13	± 0.01								
1 PLACE		±	± 0.25	±								
0 PLACES		±	±									
ANGULAR TOL		±	± 0.5 °									
DRAFT WHERE APPLICABLE MUST REMAIN WITHIN DIMENSIONS				THIRD ANGLE PROJECTION		DRAWING		SERIES		MATERIAL NUMBER		
						C-SIZE		19098		SEE CHART		
										CUSTOMER		
										GENERAL MARKET		
										SHEET NUMBER		
										1 OF 1		