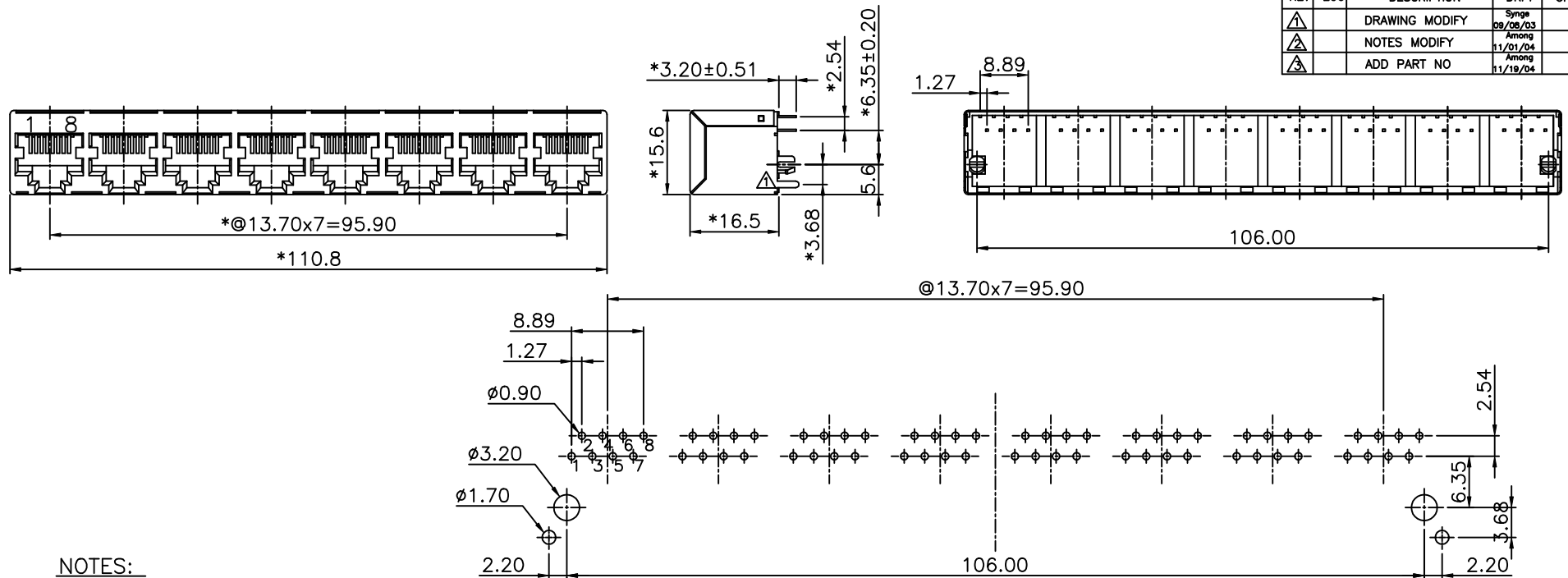


A1RFRD10

REVISION RECORD				
REV	ECO	DESCRIPTION	DRFT	CHKD
△		DRAWING MODIFY	Syngs 08/08/03	
△		NOTES MODIFY	Among 11/01/04	
△		ADD PART NO	Among 11/19/04	



NOTES:

ELECTRICAL:

- VOLTAGE RATING : 125 VAC RMS.
- CURRENT RATING : 1.5 AMP.
- CONTACT RESISTANCE : 30 MILLIOHMS MAX.
- INSULATION RESISTANCE: 1000 MEGOHMS MIN @ 500 VDC.
- DIELECTRIC STRENGTH : 1000 VAC RMS 60Hz, 1MIN.

MECHANICAL:

- HOUSING MATERIAL : GLASS FILLED POLYESTER OR NYLON HIGH TEMPERATURE UL94V-0.
- CONTACT MATERIAL : PHOSPHOR BRONZE t=0.35mm.
- △ PLATING : GOLD PLATING OVER NICKEL.
- OPERATING LIFE : 750 CYCLES MIN.
- PCB RETENTION PRE-SOLDER : 1 LB MIN.
- PCB RETENTION POST-SOLDER: 10 LBS MIN.

ENVIRONMENTAL:

- STORAGE : -40°C TO +85°C.
- △ OPERATION: -40°C TO +85°C.

MATES WITH MODULAR PLUG CONFORMING TO FCC PART 68, SUBPART F.

PART NUMBER: E5288-3XGXXX

SHIELD:  1- 3u" 2- 6u"  
 1-TIN 3-15u" 4-30u"  
 2-NICKEL 5-50u"  
 14 - PBT+30%  
 B4 - FR52 △

PC Board Layout  
Component Side Shown

△ LEAD FREE PART NUMBER: E5288-3XGXXX-L

SHIELD:  1- 3u" 2- 6u"  
 1-TIN 3-15u" 4-30u"  
 2-NICKEL 5-50u"  
 14 - PBT+30%  
 B4 - FR52 △

DETACHED LISTS	← MM (INCH) →		DFTO Garvey	DATE 9/16/00'	FULL RISE ELECTRONIC CO., LTD
	TOLERANCES EXCEPT AS NOTED		CHKD SAMMY	DATE 2004/11/22	
			MFO	DATE	
			APPV LUSHENG	DATE 2004/11/22	
.0 ± 0.2 ±		MATERIAL :		TITLE TOP ENTRY GANG JACK (8 PORTS)	
.00 ± 0.15 ±		ANGLES ± 0.5		DRAWING NO. GE523A30	
.000 ± 0.075 ±		THIRD ANGLE PROJECTION		/PART NO. SEE NOTE	
		SCALE : 1.25:1		SIZE A3	
				REV 3	
				DO NOT SCALE DRAWING	
				SHEET 1 OF 1	