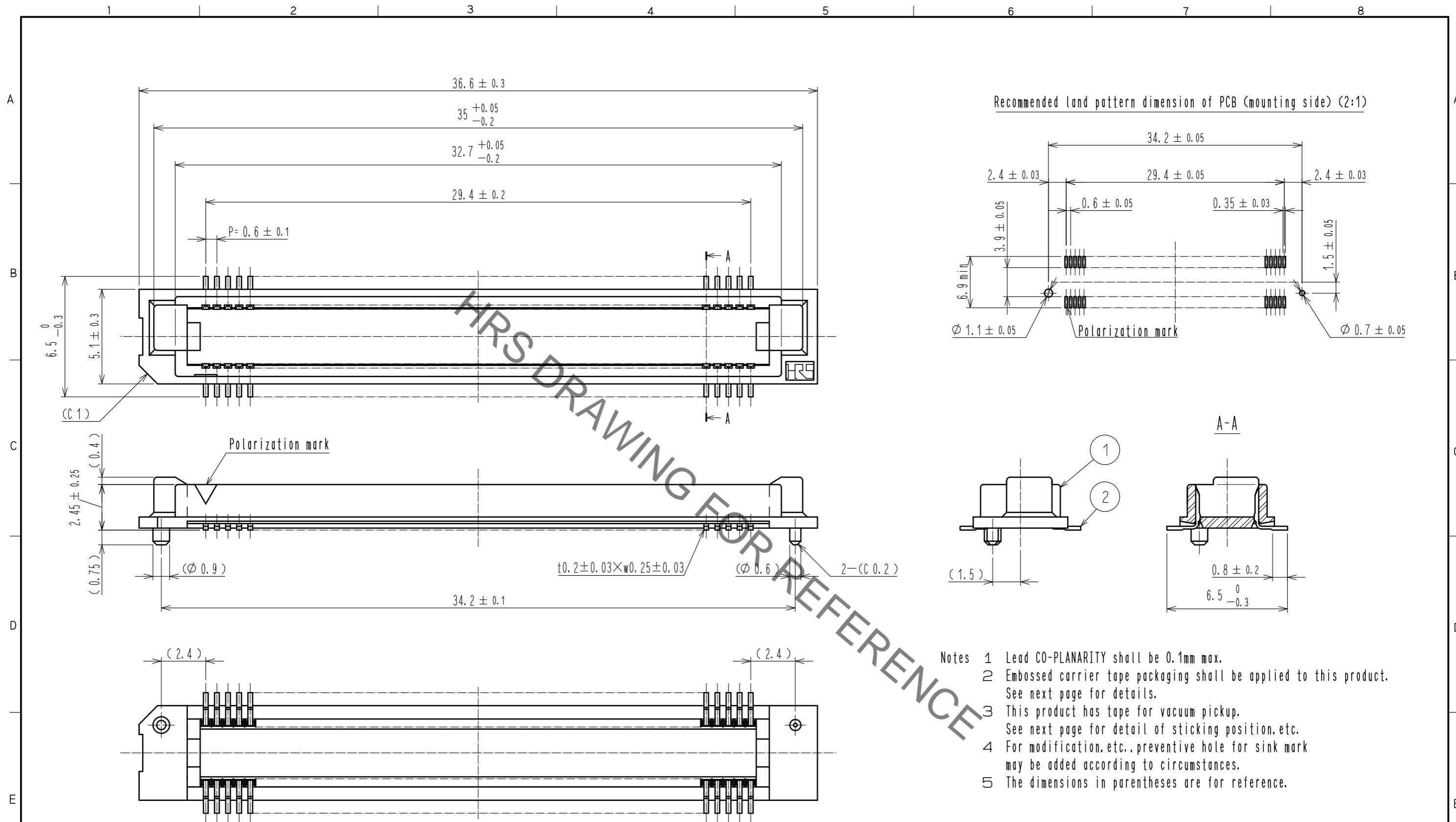


May.1.2023 Copyright 2023 HIROSE ELECTRIC CO., LTD. All Rights Reserved.
In case of consideration for using Automotive equipment / device which demand high reliability, kindly contact our sales window correspondents.

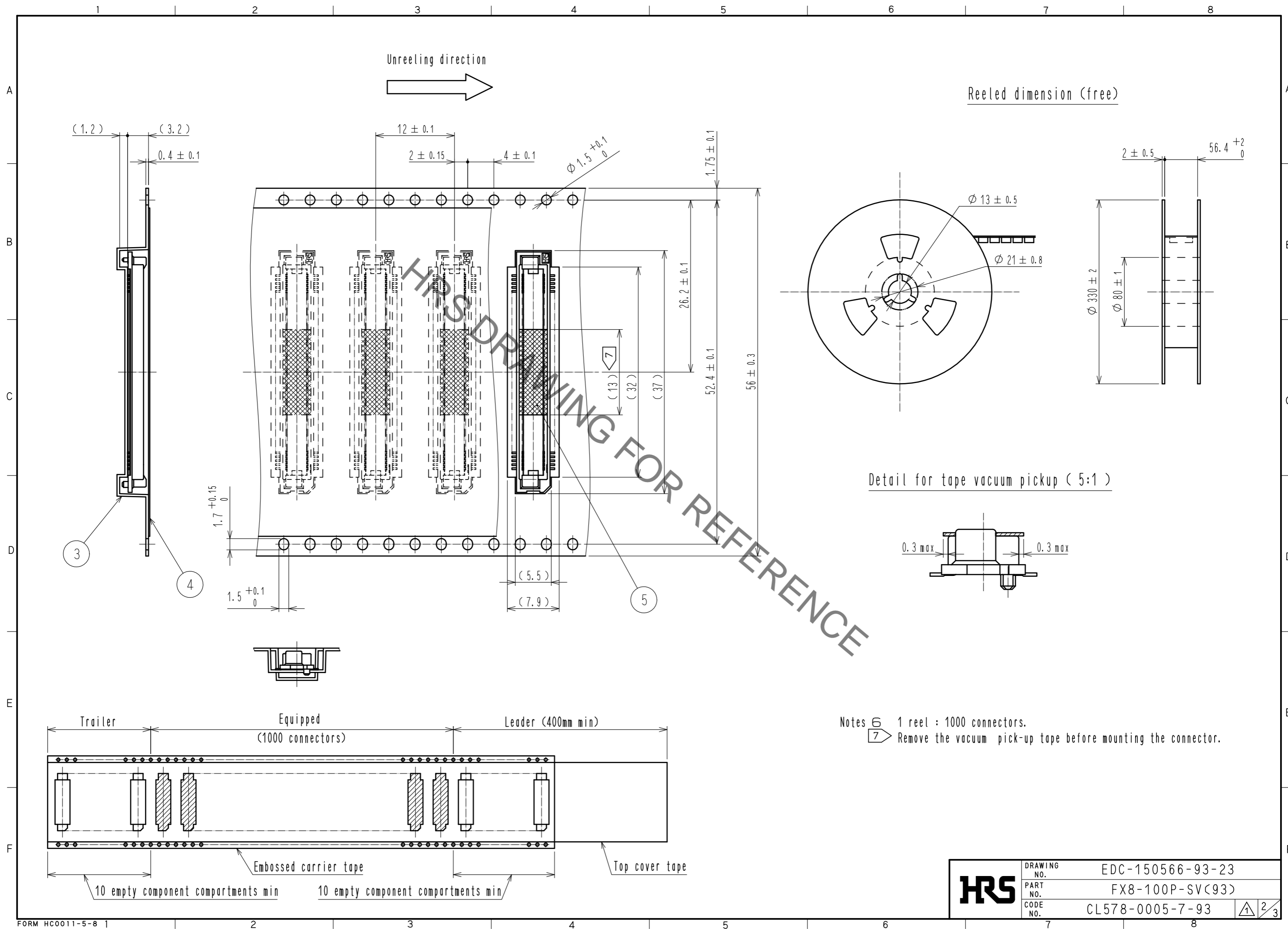


- Notes
- 1 Lead CO-PLANARITY shall be 0.1mm max.
 - 2 Embossed carrier tape packaging shall be applied to this product. See next page for details.
 - 3 This product has tape for vacuum pickup. See next page for detail of sticking position, etc.
 - 4 For modification, etc., preventive hole for sink mark may be added according to circumstances.
 - 5 The dimensions in parentheses are for reference.

2	PHOSPHOR BRONZE	Contact area : Gold 0.1μm min.	5	POLYIMIDE	(Tape for vacuum pickup)		
		Lead area : Gold flash	4	POLYESTER	Top cover tape		
		Under plating : Nickel 0.5μm min.	3	POLYSTYRENE	Embossed carrier tape		
1	POLYPHENYLENE SULFIDE	Light brown (UL94V-0)					
NO.	MATERIAL	FINISH . REMARKS	NO.	MATERIAL	FINISH . REMARKS		
UNITS		SCALE	COUNT	DESCRIPTION OF REVISIONS	DESIGNED	CHECKED	DATE
mm		5 : 1	1	DIS-F-00006410	KS. NAKAJIMA	HT. YAMAGUCHI	20200803
HRS HIROSE ELECTRIC CO., LTD.		APPROVED : HS. OKAWA	20050903	DRAWING NO. EDC-150566-93-23			
		CHECKED : HS. OZAWA	20050903	PART NO. FX8-100P-SV(93)			
		DESIGNED : TH. NODA	20050902	CODE NO. CL578-0005-7-93			
		DRAWN : TH. NODA	20050902				

Added precaution

May.1.2023 Copyright 2023 HIROSE ELECTRIC CO., LTD. All Rights Reserved.
 In case of consideration for using Automotive equipment / device which demand high reliability, kindly contact our sales window correspondents.



HRS	DRAWING NO.	EDC-150566-93-23	2/3
	PART NO.	FX8-100P-SV(93)	
	CODE NO.	CL578-0005-7-93	

May.1.2023 Copyright 2023 HIROSE ELECTRIC CO., LTD. All Rights Reserved.
In case of consideration for using Automotive equipment / device which demand high reliability, kindly contact our sales window correspondents.

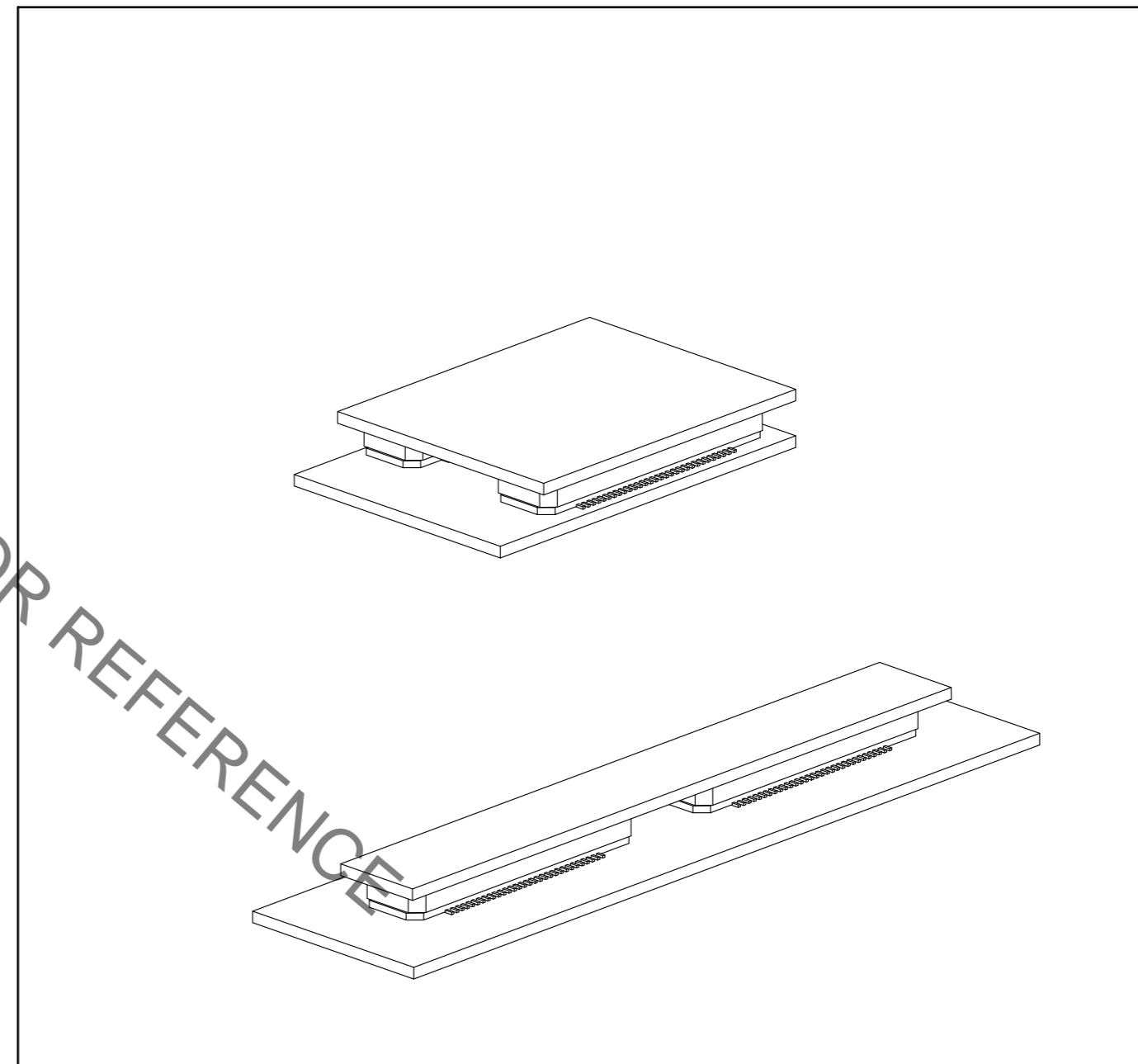
【 Precaution 】

When a board with multiple connectors mounted is mated, the connector may be damaged or deformed.
Please divide one side of the board so only one connector is mated per board.

OK



NG



DRAWING NO.	EDC-150566-93-23
PART NO.	FX8-100P-SV(93)
CODE NO.	CL578-0005-7-93