

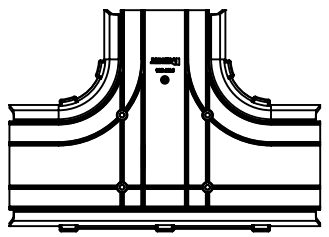
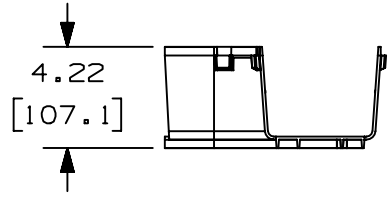
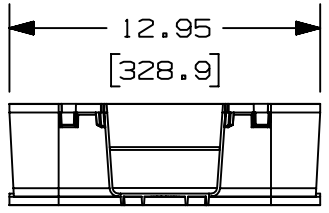
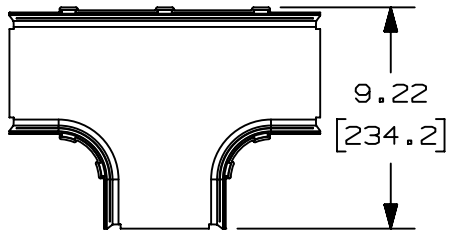
2

1

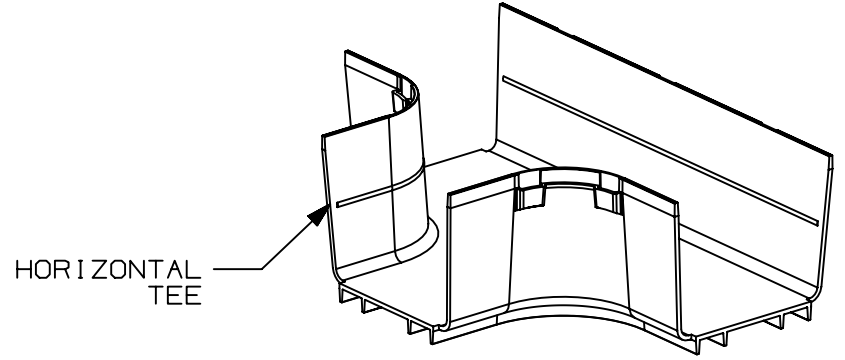
THIS COPY IS PROVIDED ON A RESTRICTED BASIS AND IS NOT TO BE USED IN ANY WAY DETRIMENTAL TO THE INTERESTS OF PANDUIT CORP.

NOTES:

1. SEE CURRENT CATALOG FOR ADDITIONAL PART SUFFIXES TO INDICATE COLOR AND/OR PACKAGE QUANTITY.
2. THE FIBERRUNNER 4x4 HORIZONTAL TEE FITTING IS DESIGNED WITH A MINIMUM 2" (50.8) BEND RADIUS TO PROTECT FIBER OPTIC CABLES.
3. PARTS SUPPLIED:
(1) - HORIZONTAL TEE
4. DIMENSIONS IN PARENTHESES ARE IN METRIC.



PANDUIT PART NUMBER	WEIGHT	MATERIAL
FRT4X4**	1.06 LB/EACH (483g/EACH)	ABS
FRT4X4L**	1.06 LB/EACH (483g/EACH)	PC/ABS



B

B

A

A

REV	DATE	BY	CHK	APR	DESCRIPTION	ECN
08A	8/27/20	MEX-JAGC	DWR	DWR	ADDED PART NUMBER	V09002DZ/11
3	02-06-17	SSP	DWR		F. REVISED GEOMETRY TO ADD 4 RIBS & 4 BOSSES WITH HOLES	37847-52
2	05-02-13	JBN	RTFI	RN	E. UPDATED DRAWING BORDER & TITLE BLOCK	37847-52

TITLE FIBERRUNNER 4X4 HORIZONTAL TEE FITTING (FRT4X4**, FRT4X4L**)					
CUSTOMER DRAWING					
ITEM REVISION NAME D37847BI/08			PANDUIT		
DATASET FILE NAME D37847BI_DC/08B					
MATERIAL: SEE PART NUMBER TABLE ABOVE			DRAWING NUMBER: 37847-52		
THIRD ANGLE PROJECTION					
DRAWN BY JHNU	DATE 07-13-01	CHK RPA	SCALE NONE	SHT 1 OF 1	
				SIZE A	

2

1

D10100DA/15