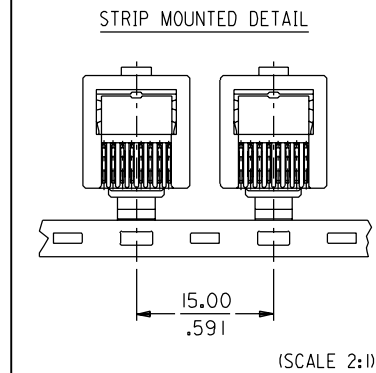
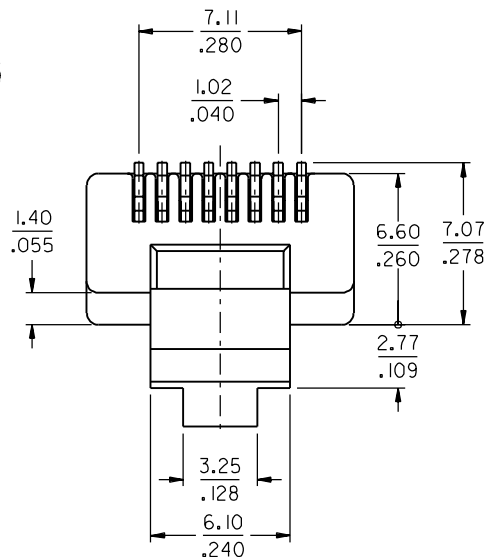
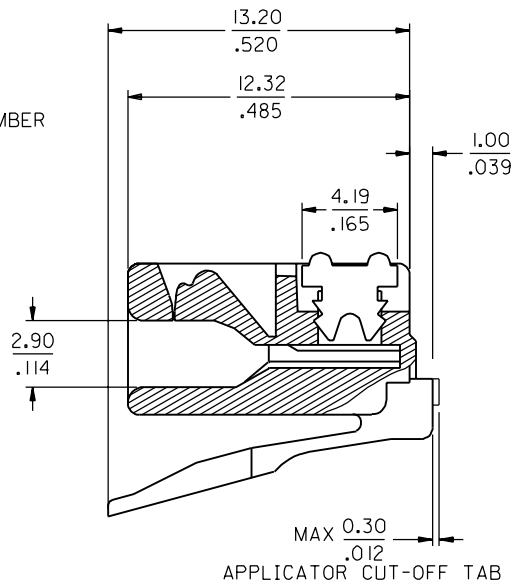
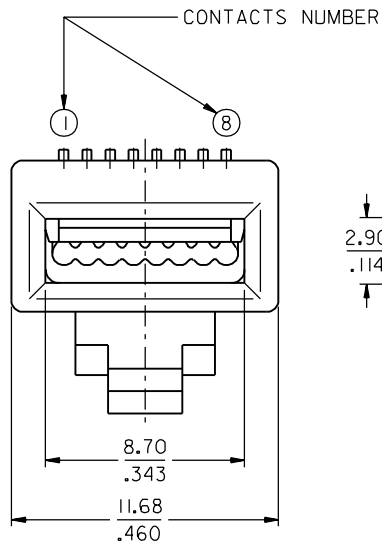


PART NO. SEE CHART
DWG. NO. SDA-90075



NOTES:

1- MATERIAL:

HOUSING: POLYCARBONATE CLEAR.

TERMINAL: (0.38)/.015 THICK PHOSPHOR BRONZE.

PLATING: (0.00076)/.000030 MIN. GOLD IN CONTACT AREA (0.00127)/.000050 MIN. TIN LEAD IN PIERCE AREA BOTH OVER (0.00127)/.000050 MIN. NICKEL.

2- PRODUCT INTENDED TO TERMINATE FLAT OVAL CABLE CONFORMING TO REA BULLETIN 345-80-PE 75 HAVING (0.94)/.037 Ø MAXI OVER CONDUCTORS INSULATION.

3- PRODUCT SPECIFICATION: PS-90075

4- APPLICATION SPECIFICATION: AS-90075.

CKTS	NUMBER OF LOADED CONTACTS	STRIP MOUNTED		LOOSE PIECE	
		PART NUMBER	TOOLED	PART NUMBER	TOOLED
8	8	90075-0130	YES	90075-0132	YES
	4 (CKTS 1,2,7,8)	90075-0200	YES	90075-0201	YES

3	M
2	M
1	M

REDRAWN ON CAD SYST. ECN MC 899-0325 FB 99/06/09 M	LTR REVISIONS FOR PREVIOUS REVISIONS SEE MRI LIST UNLESS OTHERWISE SPECIFIED TOLERANCES: ANGULAR ±2° INCH METRIC 3 PLACE ± .010 ± 2 PLACE ± .014 ± 0.25 1 PLACE ± ± 0.35 DRAFT WHERE APPLICABLE MUST REMAIN WITHIN DIMENSIONS DESIGN DIMENSION <input checked="" type="checkbox"/> MM <input type="checkbox"/> IN. EQUIVALENT DIMENSION <input type="checkbox"/> MM <input checked="" type="checkbox"/> IN. IF TWO DIMENSIONS ARE SHOWN THE UPPER IS THE DESIGN DIMENSION, LOWER IS SECONDARY	THIRD ANGLE PROJECTION	DRWG BY FB CHK'D BY TB APP'D BY JB SCALE 5:1	SIGN SIGN SIGN SIGN	CAD/CAM PROJECT NAME THIS DRAWING CONTAINS INFORMATION THAT IS PROPRIETARY TO MOLEX INC. & SHOULD NOT BE USED WITHOUT WRITTEN PERMISSION
		TITLE 8 POSITIONS MODULAR PLUG W.E. TYPE 8 AND 4 LOADED CONTACTS			
		MOLEX EUROPE		SHEET NO. DATE 1 OF 3 96/12/09	
		PART NO. SEE CHART		DWG NO. SDA-90075	