



AC Cloud Control

INWFITOS001R1XX

Wi-Fi interface for Toshiba
Digital Inverter and VRF air conditioners series

1. Dimensions

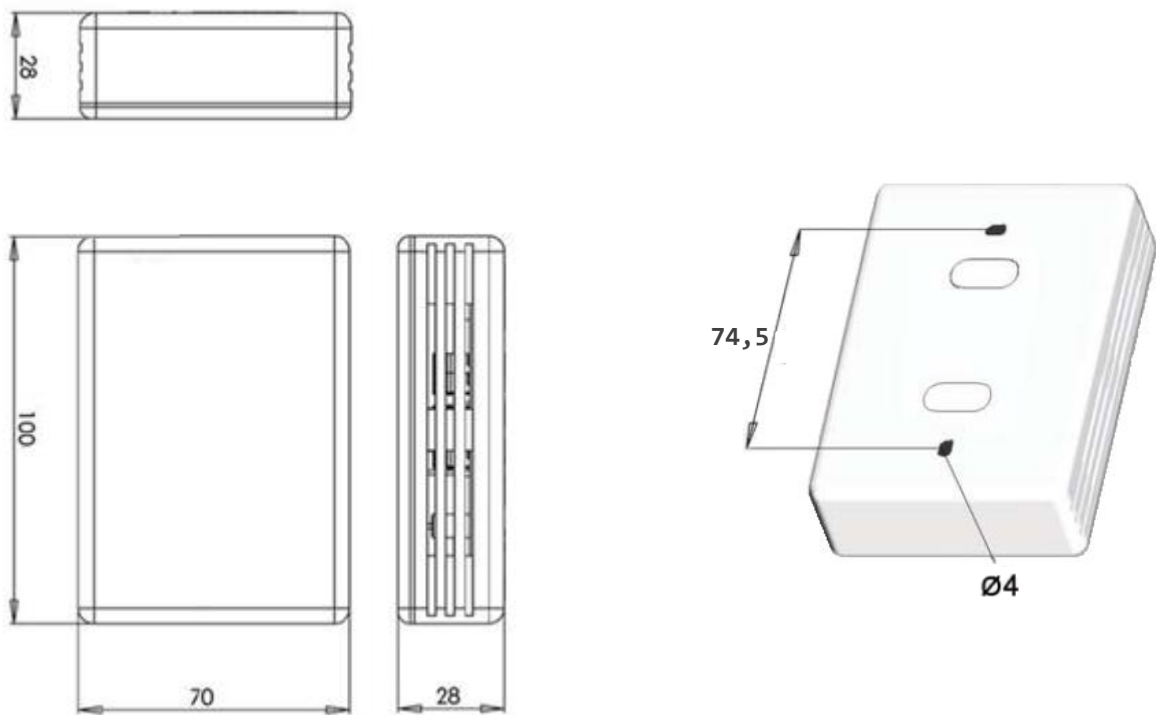


Figure 1.1 AC Cloud Control device dimensions in mm and back view with fixing holes

2. Technical Features

Enclosure	ABS (UL 94 V-0). 2,5 mm thickness
Dimensions	70 x 100 x 28 mm
Weight	98 g
Dimensions (including packaging)	133 x 135 x 35 mm
Weight (including packaging)	166 g
Colour	White
AC Connector	12V, 85mA typical
Radio Parameters	Wi-Fi 802.11 (b/g/n) RF Frequency band: 2.4 GHz. <i>Consult annex 1 for further information</i> Output power (average): 8 dBm (<i>Modulated signal at antenna chip; 11Mb/Sec.</i>) Bluetooth v4.2 BR/EDR and BLE specification
Mounting	Wall
LED indicators	1 x Device status
Operating Temperature	From 0°C to 40°C
Operating humidity	5% to 95% HR, no condensation
Stock humidity	<93% HR, no condensation
Certifications	CE conformity to EMC directive (2014/53/EU). <ul style="list-style-type: none"> • EN 62368-1:2014 + A11:2020 • AS/NZS 62368.1:2018 • ETSI EN 300 328 V2.2.2 • ETSI EN 303 446-1 V1.2.1 • ETSI EN 301 489-17 V3.2.4 • ETSI EN 301 489-1 V2.2.3 • ETSI EN 301 446-1 V1.2.1 • EN 55032:2015 + AC:2016 + A11:2020 • EN 55035:2017 + A11:2020 • Regulations: FCC/IC Standards: Title 47 CFR Part 15B ICES-003 (Issue 7)

Table 2.1 Technical features

Annex 1

The device can be configured in 3 different RF Modes:

- USA: 2412 – 2462 MHz (11 channels)
- Europe: 2412 – 2472 MHz (13 channels)
- Japan: 2412 – 2484 MHz (14 channels)

The factory settings are set to work in the most restrictive mode, USA: 2412 – 2462 MHz. Therefore, if the user doesn't change any of these parameters, the gateway is compliant with the most restrictive RF regulations, stricter than European's.