

Customer Information Sheet

DRAWING No.: M20-975XXXX

IF IN DOUBT - ASK



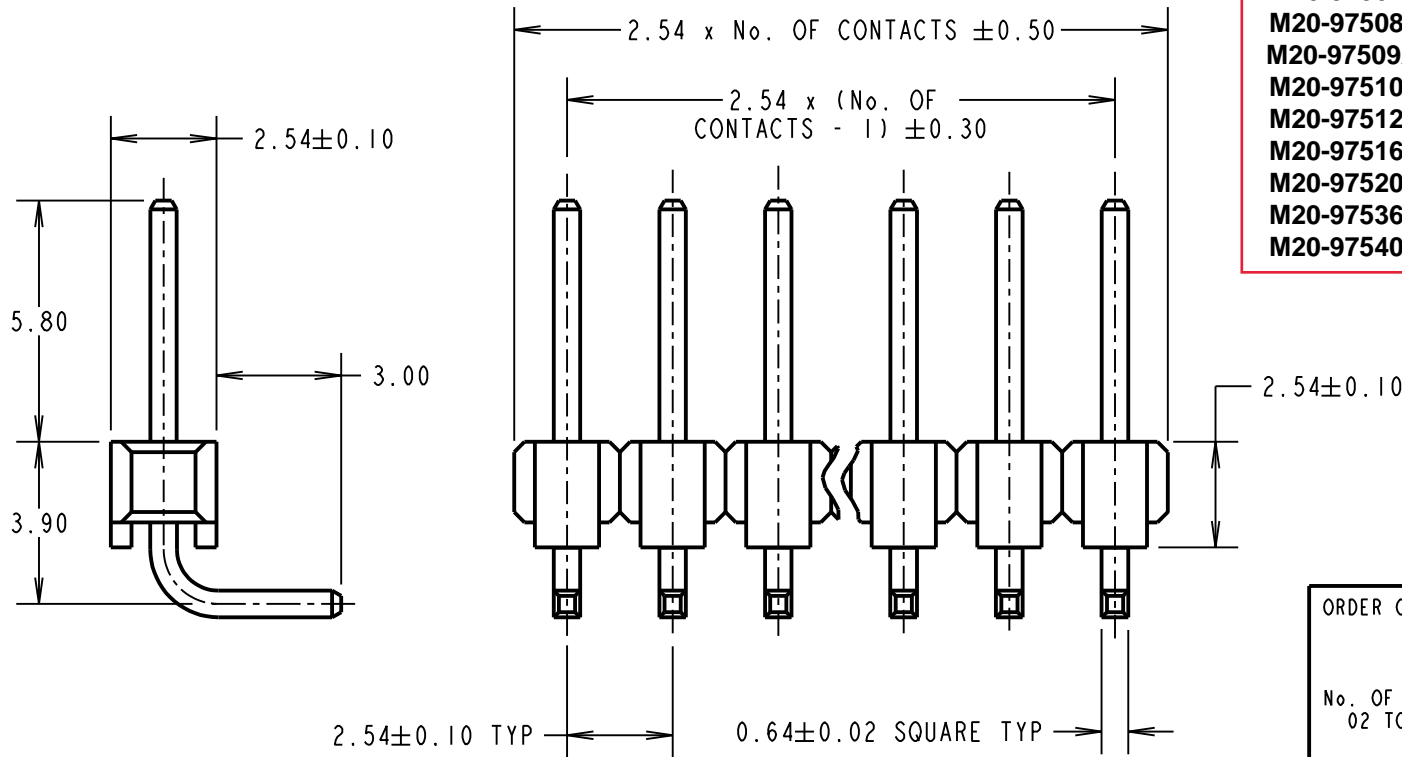
NOT TO SCALE

THIRD ANGLE PROJECTION

ALL DIMENSIONS IN mm

NOTES:

1. RECOMMENDED PCB MOUNTING HOLE SIZE = $\varnothing 1.02 \pm 0.05$ mm.
2. ALL TOLERANCES ARE ± 0.25 mm UNLESS OTHERWISE STATED.
3. FOR COMPLETE SPECIFICATION, SEE COMPONENT SPECIFICATION C001XX (LATEST ISSUE).



Active products:
M20-97502XX
M20-97503XX
M20-9750446
M20-9750642
M20-9750746
M20-9750846
M20-97509XX
M20-9751046
M20-9751246
M20-9751646
M20-9752046
M20-9753646
M20-9754046

SPECIFICATION:
MATERIAL:
 MOULDING = PA6T UL94V-0, BLACK
 PINS = BRASS
FINISH:
 PINS (OVER NICKEL):
 42 = GOLD ON CONTACT AREA,
 100% TIN ON TAILS
 46 = 100% TIN OVER NICKEL
ELECTRICAL:
 CURRENT RATING = 3A MAX
 CONTACT RESISTANCE = $20\text{m}\Omega$ MAX
 INSULATION RESISTANCE = $1,000\text{M}\Omega$ MIN
 DIELECTRIC STRENGTH = 500V AC
MECHANICAL:
 DURABILITY = 300 OPERATIONS (GOLD),
 50 OPERATIONS (TIN)
ENVIRONMENTAL:
 TEMPERATURE RANGE = -40°C TO $+105^\circ\text{C}$
PACKING:
 BAG

OBSOLETE
 All other size/finish combinations not listed above
 Last Time Buy = 14th June 2019

ORDER CODE:
M20-975XXXX
 No. OF CONTACTS: _____
 02 TO 20, 25, 36, 40
 FINISH: _____
 42 = SELECTIVE GOLD + 100% TIN
 46 = 100% TIN

MGP	15	14.12.18	21677
NAME	ISS.	DATE	C/NOTE
APPROVED: MGP			
CHECKED: SB			
DRAWN: J. CLAY			
CUSTOMER REF.:			
ASSEMBLY DRG:			



www.harwin.com
 technical@harwin.com

THIS DRAWING AND ANY INFORMATION OR DESCRIPTIVE MATTER SET OUT HEREON ARE CONFIDENTIAL AND COPYRIGHT PROPERTY OF THE HARWIN GROUP AND MUST NOT BE DISCLOSED, LOANED, COPIED OR USED FOR MANUFACTURING, TENDERING OR FOR ANY OTHER PURPOSE WITHOUT THEIR WRITTEN PERMISSION.

TOLERANCES
~~X = ± 1 mm~~
~~X.X = ± 0.50 mm~~
~~X.XX = ± 0.10 mm~~
~~X.XXX = ± 0.01 mm~~
 ANGLES = $\pm 5^\circ$
 UNLESS STATED

MATERIAL:
 SEE ABOVE
FINISH: SEE ABOVE
S/AREA: mm²

TITLE: 2.54mm PITCH SIL HORIZONTAL PC TAIL PIN HEADER ASSEMBLY
DRAWING NUMBER: M20-975XXXX