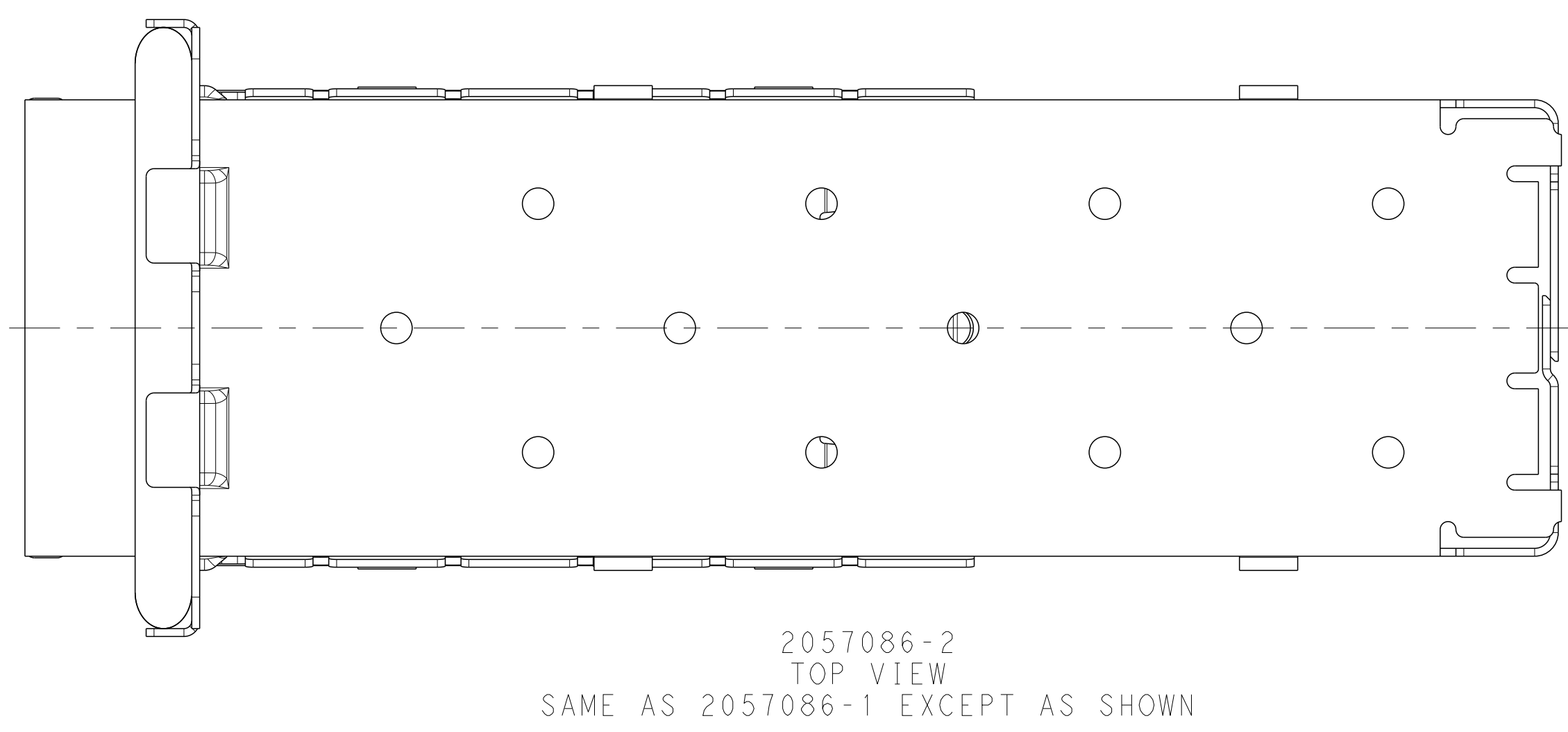
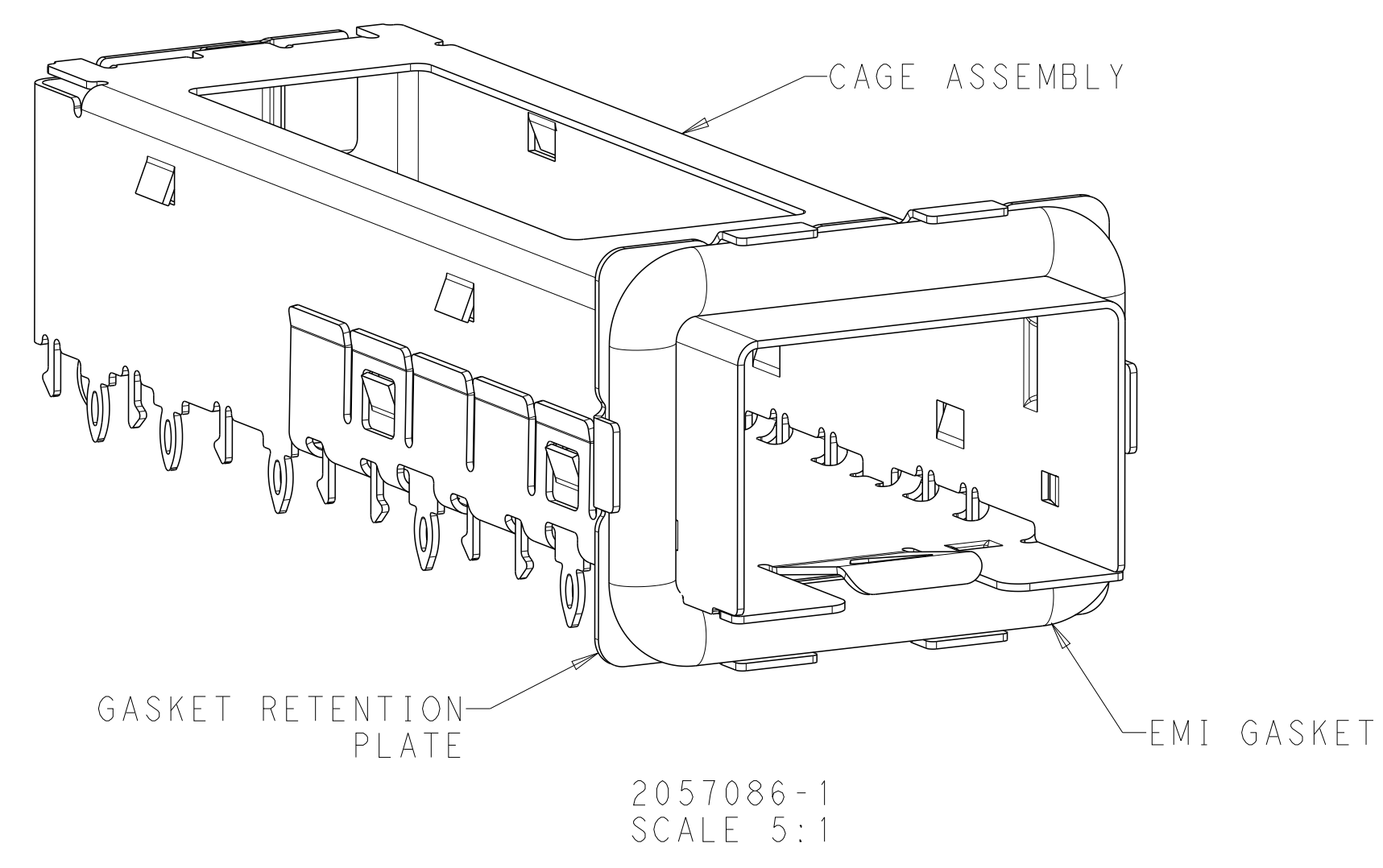
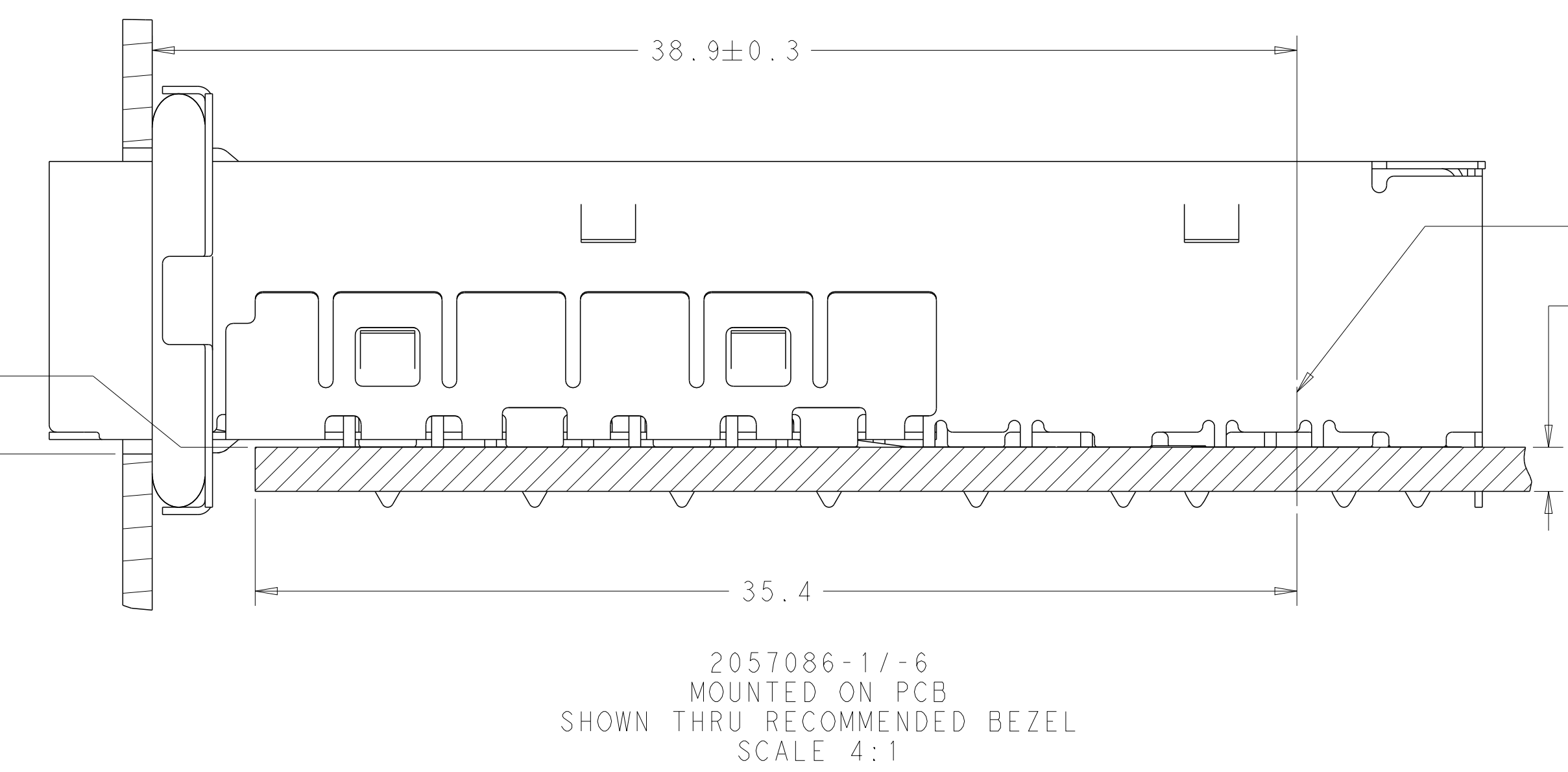
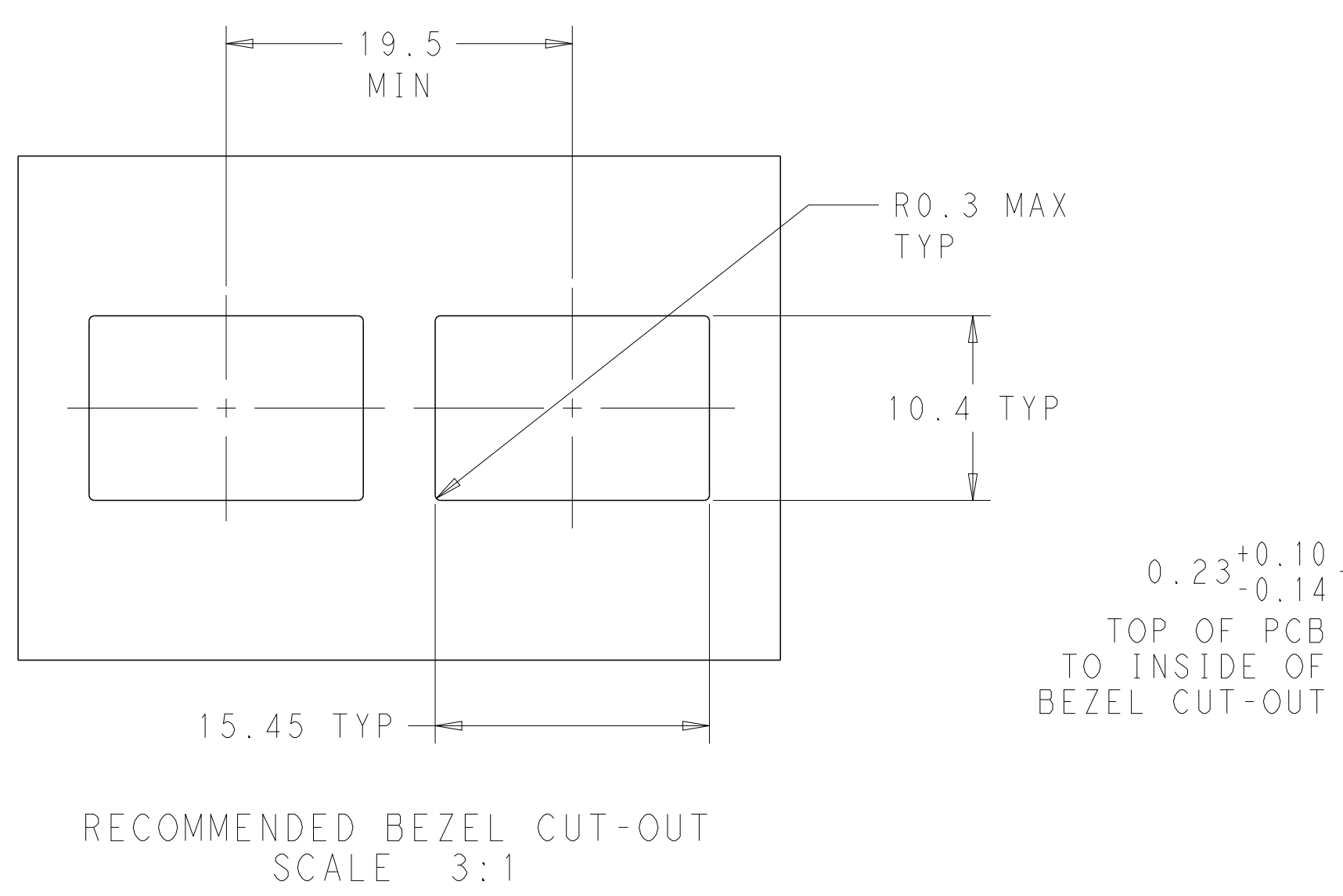
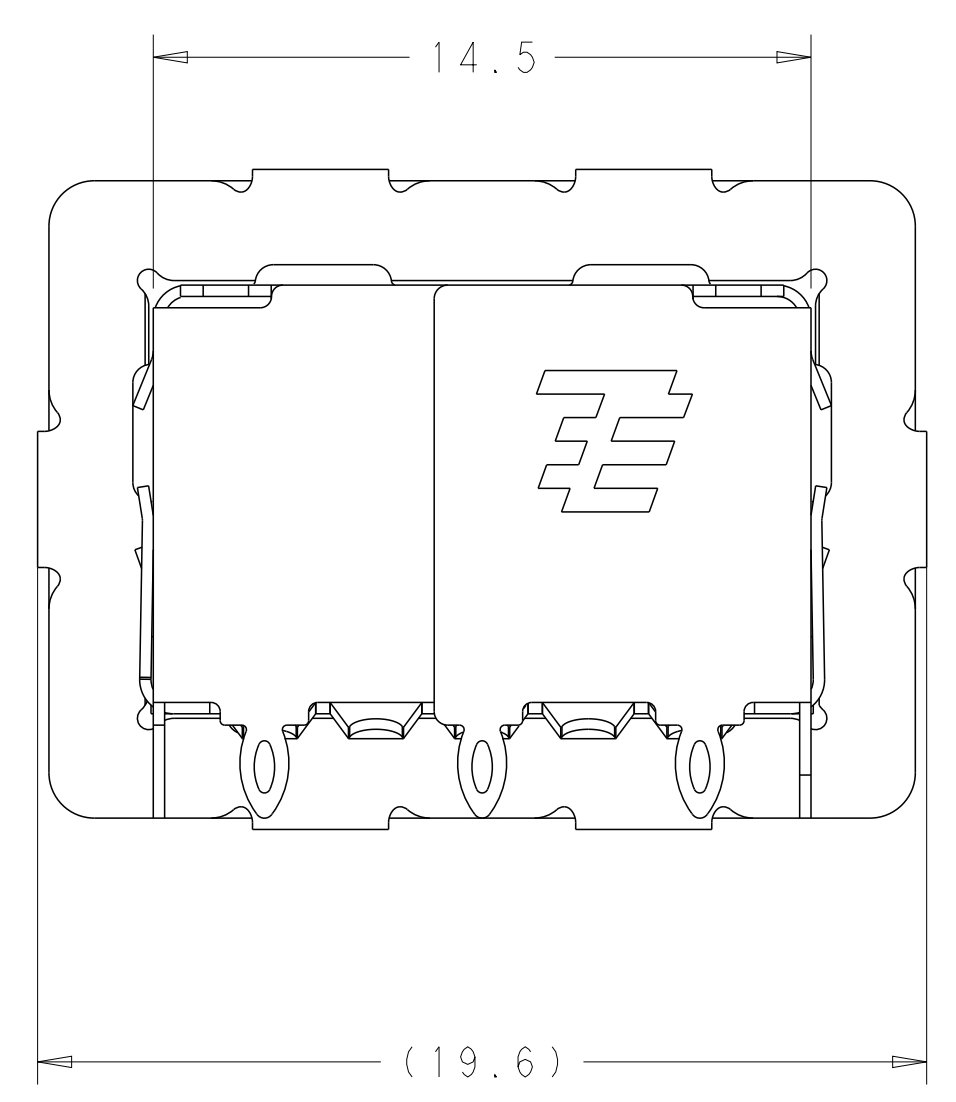
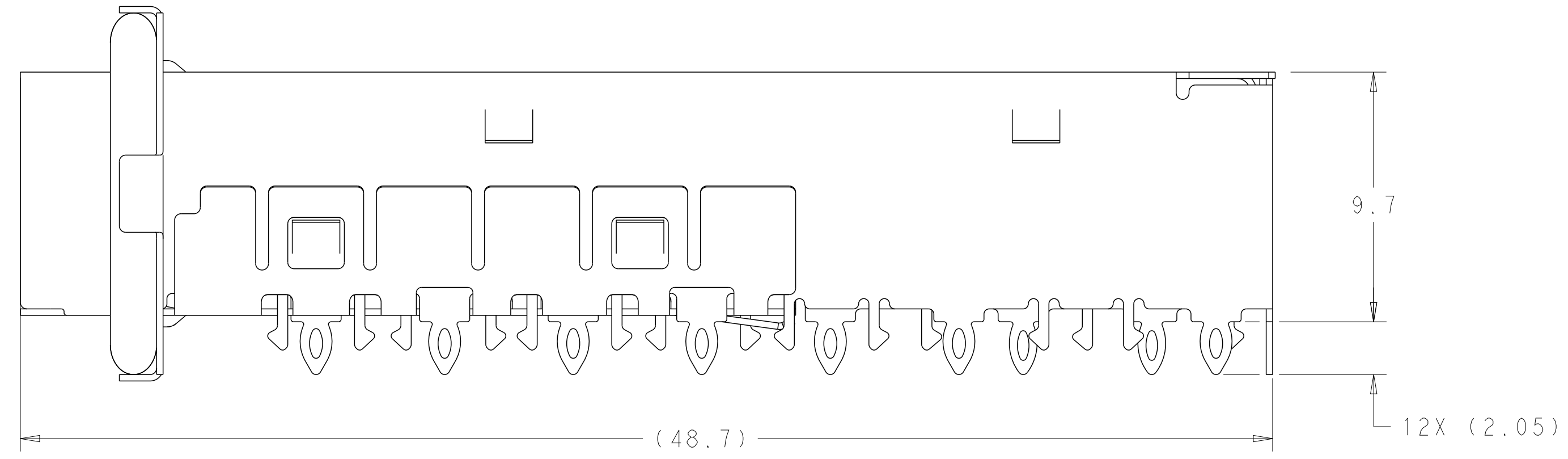
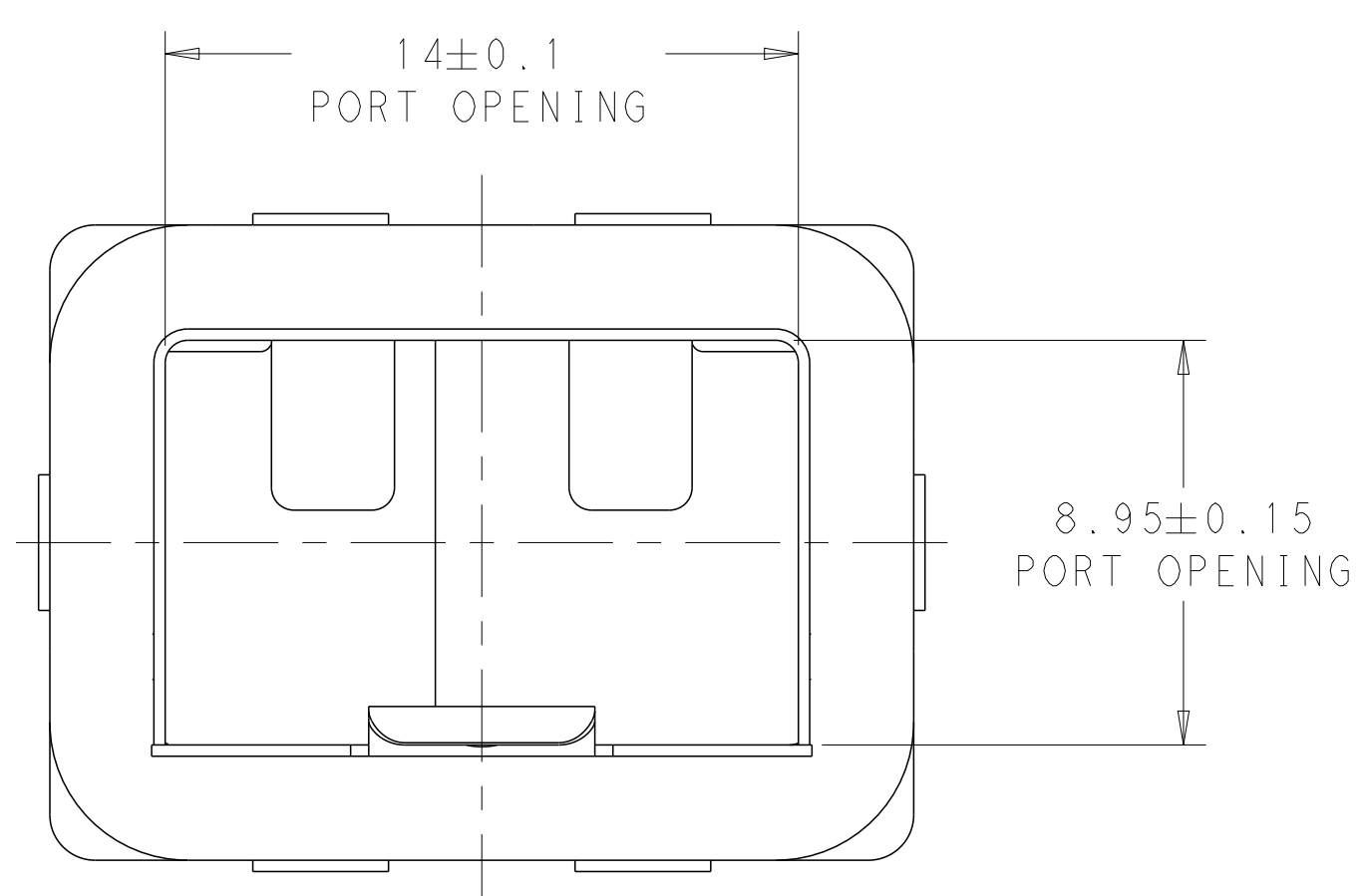
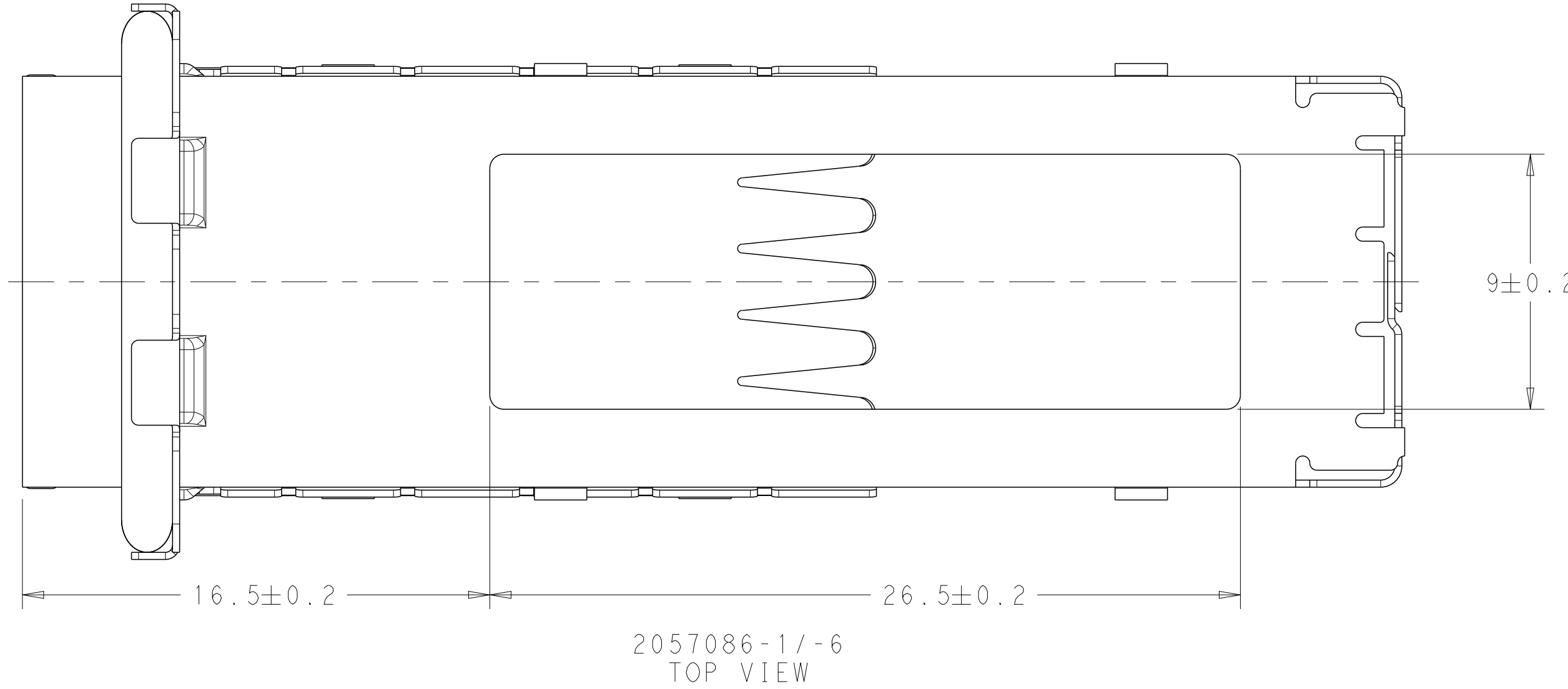
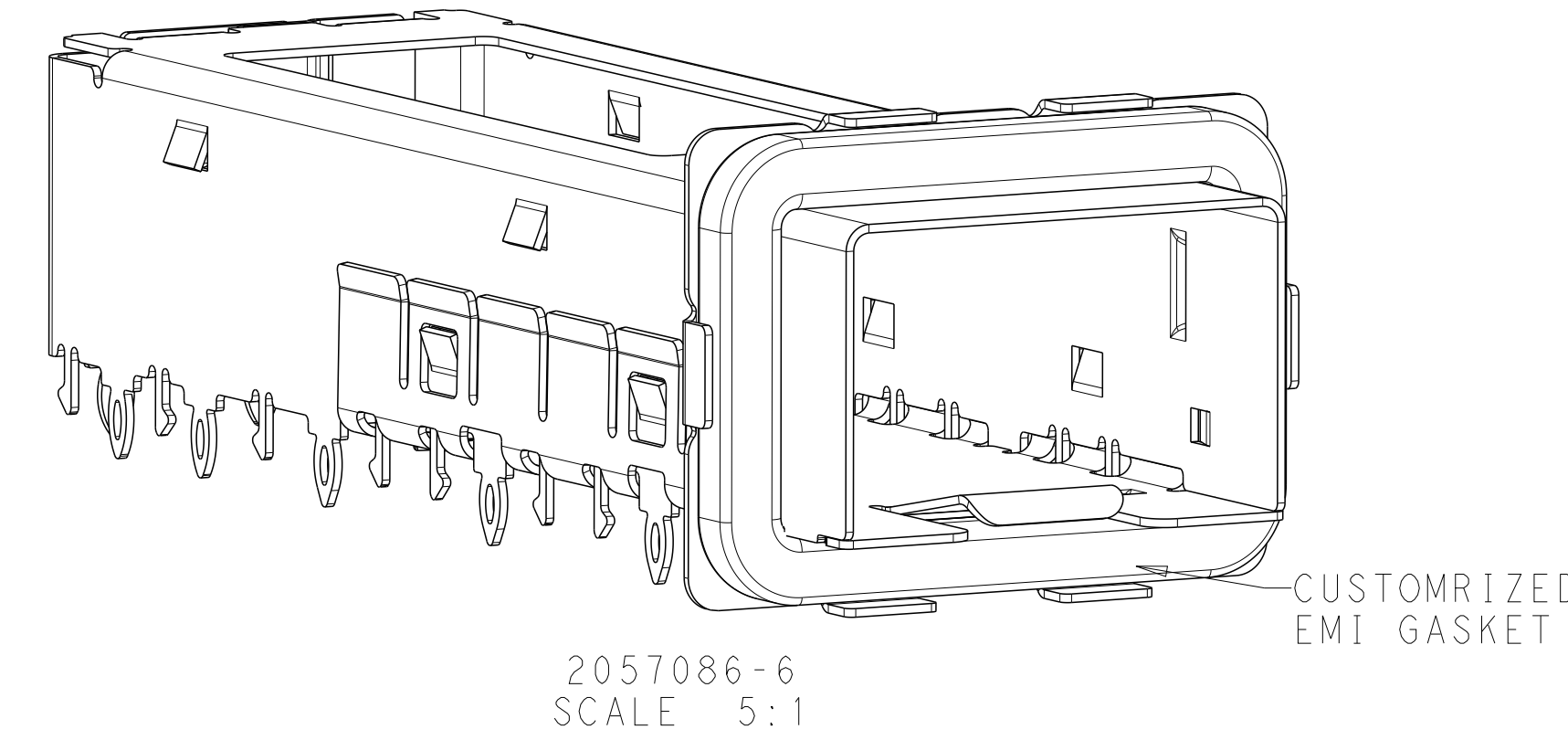


REVISIONS				
P	LTN	DESCRIPTION	DATE	OWN APVD
A		RELEASE PER ECO-10-025263	10FEB2011	CJV JTL
B		RELEASE PER ECO-16-009259	17JUN2016	PP SH
B1		REVISED PER ECN-22-166164	25JUL2022	IT SZ



- 1 MATERIAL:
 CAGE ASSEMBLY: NICKEL SILVER ALLOY, 0.25mm THK.
 GASKET RETENTION PLATE: STAINLESS STEEL
 EMI GASKET: PLATED FILLED SILICONE
- 2 MINIMUM PC BOARD THICKNESS:
 SINGLE SIDED = 1.45mm
- 3 PADS AND VIAS CHASSIS GROUND.
- 4 DATUM AND BASIC DIMENSION ESTABLISHED BY CUSTOMER.
- 5. MATES WITH SFP MSA COMPLIANT TRANSCEIVERS.
- 6. INTERPRETATION OF DATUM REFERENCE FRAME IN ACCORDANCE WITH SECT 4.4.1.1 OF ASME Y14.5M-1994.
- 7 REFERENCE APPLICATION SPEC. 114-13120, HOLE A, FOR RECOMMENDED DRILL HOLE DIAMETER AND PLATING THICKNESS.
- 8 REFERENCE APPLICATION SPEC. 114-13120, HOLE B, FOR RECOMMENDED DRILL HOLE DIAMETER AND PLATING THICKNESS.



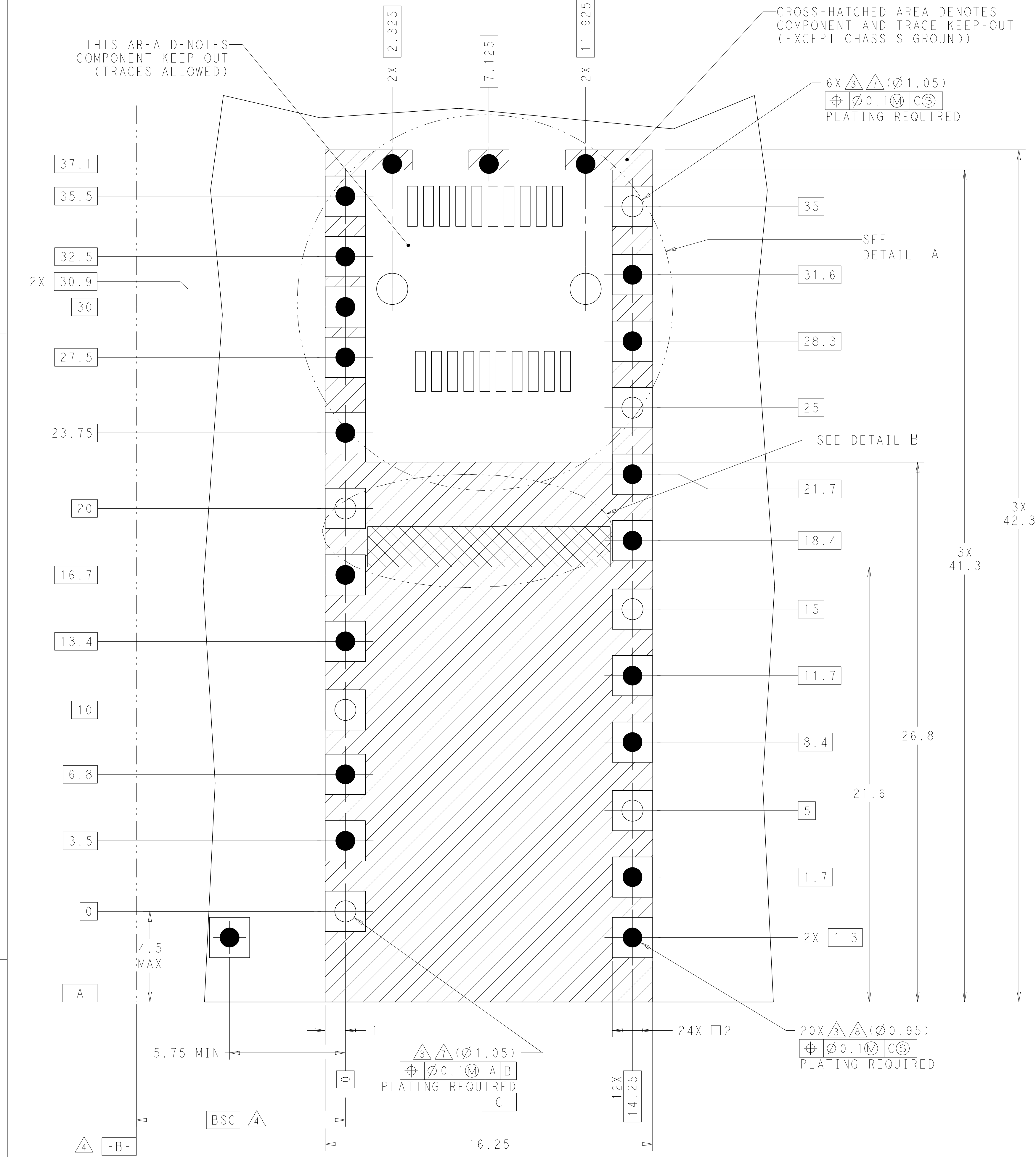
GASKET	DESCRIPTION	PART NUMBER
CUSTOMIZED TYPE	W/ HEATSINK OPENING	2057086-6
GENERAL TYPE	W/O HEATSINK OPENING	2057086-2
GENERAL TYPE	W/ HEATSINK OPENING	2057086-1

THIS DRAWING IS A CONTROLLED DOCUMENT.

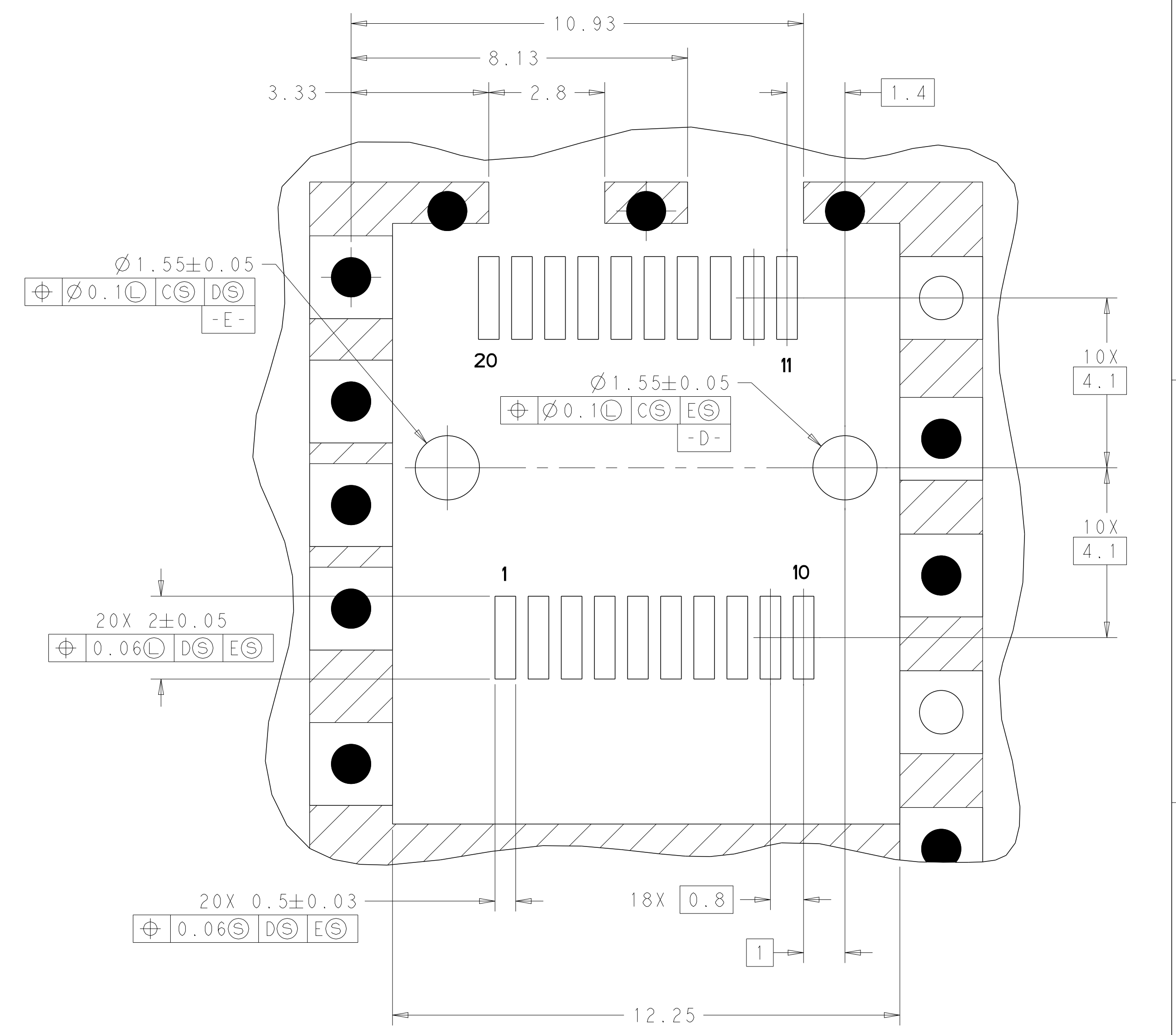
DIMENSIONS:	TOLERANCES UNLESS OTHERWISE SPECIFIED:	OWN: Z.M. REAM 18MAR2008	CHK: M.R. SCHMITT 18MAR2008	APVD: R.H. WERTZ 18MAR2008
mm	0 PLC ±0.1 1 PLC ±0.1 2 PLC ±0.1 3 PLC ±0.05 4 PLC ±0.05	PRODUCT SPEC: 108-2364	APPLICATION SPEC: 114-13120	NAME: SFP+ ENHANCED 1X1 CAGE ASSEMBLY, PRESS-FIT
MATERIAL:	FINISH:	WEIGHT:	SIZE: CAGE CODE DRAWING NO: A100779	RESTRICTED TO: -
			SCALE: 6:1	SHEET 1 OF 2

CUSTOMER DRAWING

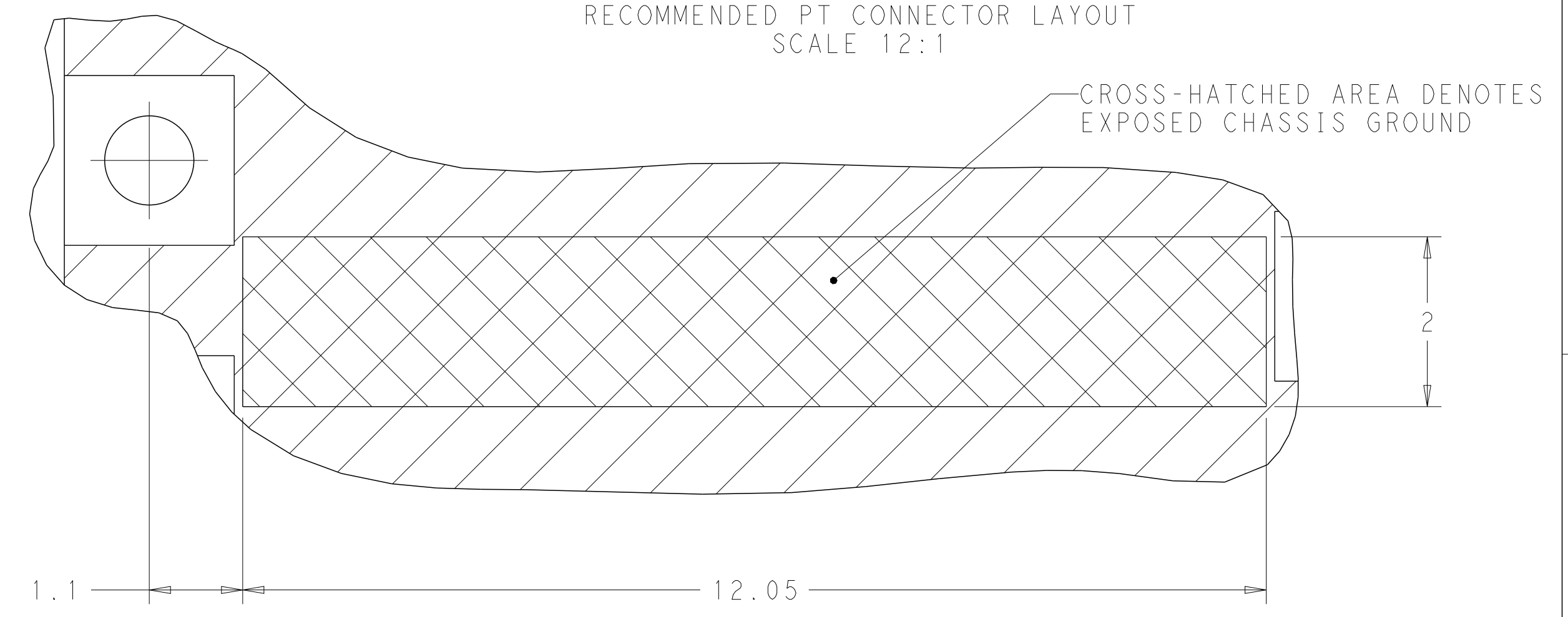
REVISIONS				
P.	LTN.	DESCRIPTION	DATE	APVD.
-	-	SEE SHEET 1	-	-



RECOMMENDED PC BOARD CONFIGURATION WITH KEEP-OUT AREAS SCALE 9:1



DETAIL A
 RECOMMENDED PT CONNECTOR LAYOUT
 SCALE 12:1



DETAIL B
 SCALE 18:1

THIS DRAWING IS A CONTROLLED DOCUMENT.		DWN Z.M. REAM 18MAR2008 CHY M.B. SCHMITT 18MAR2008 APVD B.H. WERTZ 18MAR2008	TE Connectivity
DIMENSIONS: mm 	TOLERANCES UNLESS OTHERWISE SPECIFIED: 0 PLC ± 0.1 1 PLC ± 0.1 2 PLC ± 0.1 3 PLC ± 0.05 4 PLC ± 0.05 ANGLES ± 0.05	NAME SFP+ ENHANCED 1X1 CAGE ASSEMBLY, PRESS-FIT, PRODUCT SPEC 108-2364 APPLICATION SPEC SIZE CAGE CODE DRAWING NO 114-13120 WEIGHT CUSTOMER DRAWING	