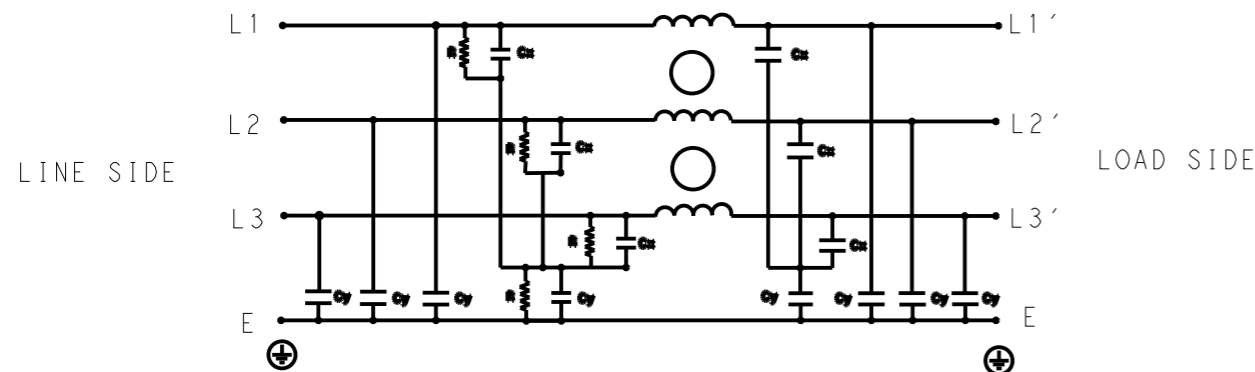


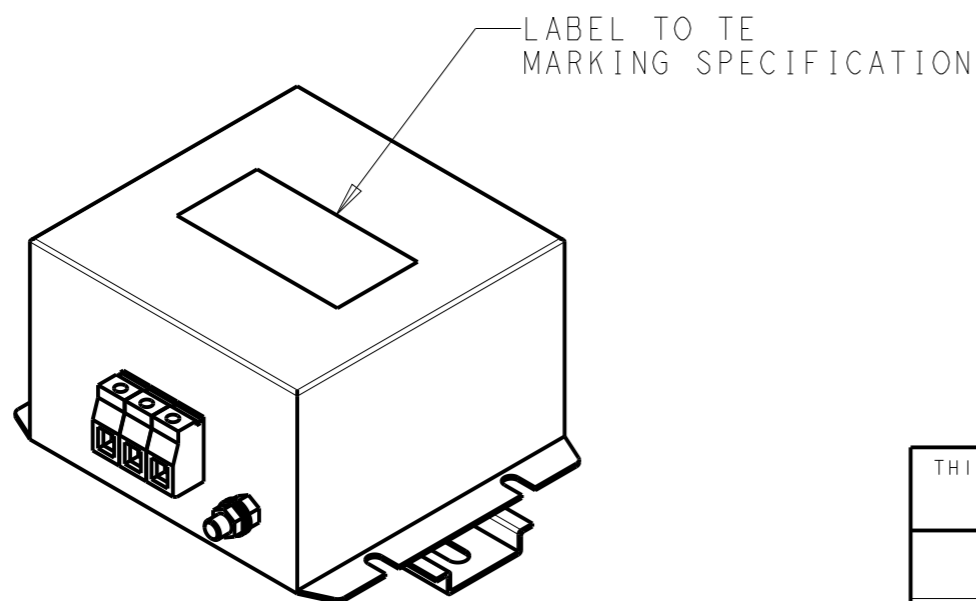
| P | LTR | DESCRIPTION | DATE | DWN | APVD |
|---|-----|-----------------|-----------|-----|------|
| | A | INITIAL RELEASE | 02APR2021 | BS | CB |
| | | | | | |
| | | | | | |



SCHEMATIC

TYPICAL INSERTION LOSS
COMMON MODE 50/50Ω; DIFFERENTIAL MODE 50/50Ω

| MHz | 0.01 | 0.05 | 0.15 | 0.5 | 1 | 3 | 5 | 10 | 30 |
|-----|------|------|------|-----|----|----|----|----|----|
| CM | 60 | 64 | 64 | 57 | 51 | 44 | 40 | 34 | 30 |
| DM | 20 | 22 | 35 | 62 | 49 | 39 | 36 | 30 | 26 |



SAFETY ORGANIZATIONS

THIS FILTER WILL BE FORMALLY RECOGNIZED, CERTIFIED OR APPROVED BY THE LISTED AGENCY. THEREFORE, ALL TEST/REQUIREMENTS SPECIFIED IN THE LATEST REVISION OF THE FOLLOWING AGENCY STANDARDS WILL BE MET:

UL APPROVED 6A 440V 50Hz/60Hz 40°C
 CSA APPROVED 6A 440V 50Hz/60Hz 40°C

OPERATING SPECIFICATION

LINE CURRENT/VOLTAGE: 6A, 440VAC
 LINE FREQUENCY: 50/60Hz

MAXIMUM LEAKAGE CURRENT: 18mA @ 230VAC, 50Hz

OPERATING AMBIENT TEMPERATURE RANGE @ RATED CURRENT: -25°C TO +40°C

IN AN AMBIENT, T_a, HIGHER THAN 40°C, THE MAXIMUM OPERATING CURRENT, I_o, IS AS FOLLOWS:

$$I_o = I_r \sqrt{\frac{85 - T_a}{45}}$$

RELIABILITY SPECIFICATIONS

STORAGE TEMPERATURE: -40°C TO +85°C
 HUMIDITY: 21 DAYS @ 40°C AND 95% RH

TEST SPECIFICATIONS

INDUCTANCE, NOMINAL: 10mH

CAPACITANCE @ 1kHz

LINE TO GROUND, NOMINAL: 1.1μF
 LINE TO LINE, NOMINAL: 1μF

DISCHARGE RESISTOR

L/G I.R. 1MΩ 1W
 L/L I.R. 2MΩ 1W
 L/N I.R. XXX
 N/G I.R. XXX

IR (NO DISCHARGE RESISTOR) 20°C, 50% RH AND 100VDC, MIN: 6MΩ

RECOMMENDED RECEIVING INSPECITON HIPOT

LINE TO GROUND FOR 1 MINUTE: 2632VDC
 LINE TO LINE FOR 1 MINUTE: 1892VDC

FILTER APPROVAL

THE BEST WAY TO SELECT AND QUALIFY A FILTER IS FOR YOUR ENGINEERING TO TEST THE UNIT IN YOUR EQUIPMENT.

| | | | | |
|--|--------------|-------------------------------|---|--|
| THIS DRAWING IS A CONTROLLED DOCUMENT. | | DWN 02APR2021 BAPAT SAHAS | | |
| DIMENSIONS: mm | | CHK 02APR2021 CHRIS BOLLE | | |
| TOLERANCES UNLESS OTHERWISE SPECIFIED: | | APVD 02APR2021 CHRIS BOLLE | NAME POWER LINE FILTER FOR DIN 35 RAIL INSTALLATION 6KEMS10AFPDM | |
| 0 PLC ±- | 1 PLC ±0.5 | PRODUCT SPEC | SIZE CAGE CODE DRAWING NO RESTRICTED TO | |
| 2 PLC ±0.40 | 3 PLC ±0.130 | APPLICATION SPEC | A300779 C-7-1609967-3 | |
| 4 PLC ±0.0500 | ANGLES ±- | WEIGHT | SCALE 1:2 SHEET 1 OF 2 REV A | |
| MATERIAL - | FINISH - | CUSTOMER DRAWING | | |

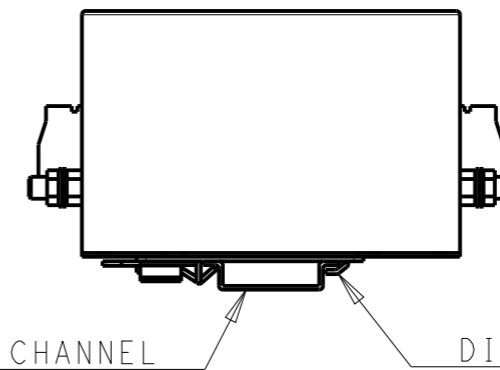
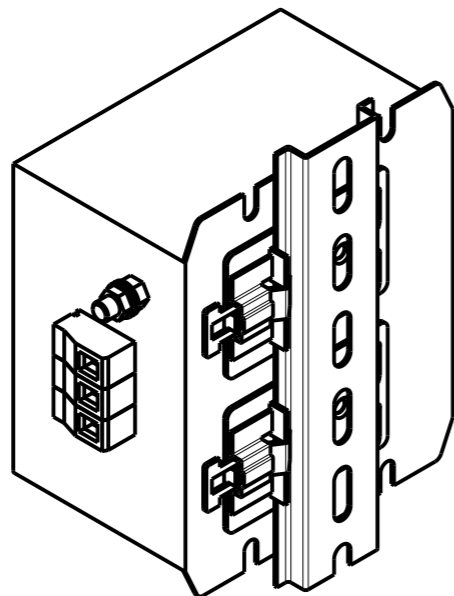
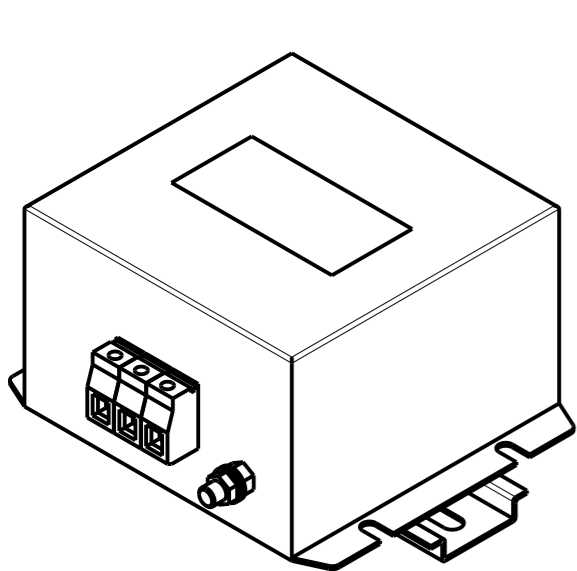
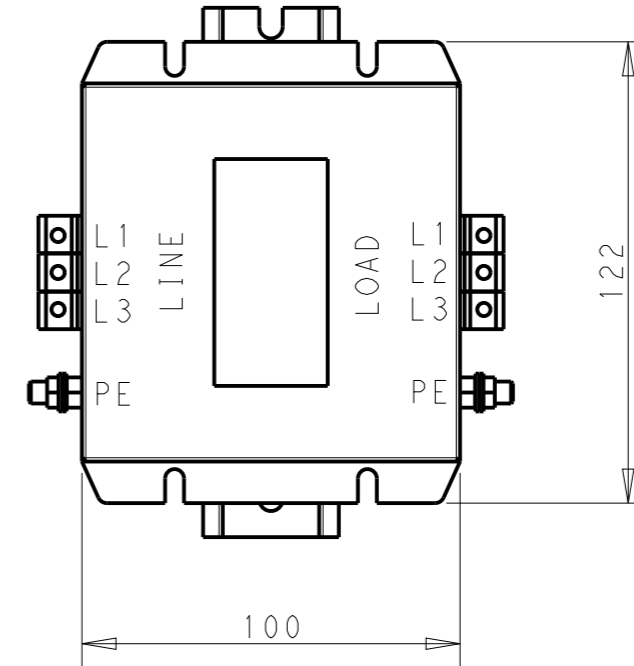
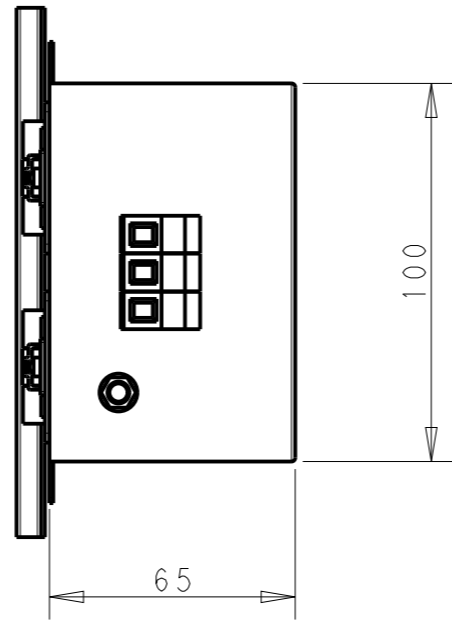
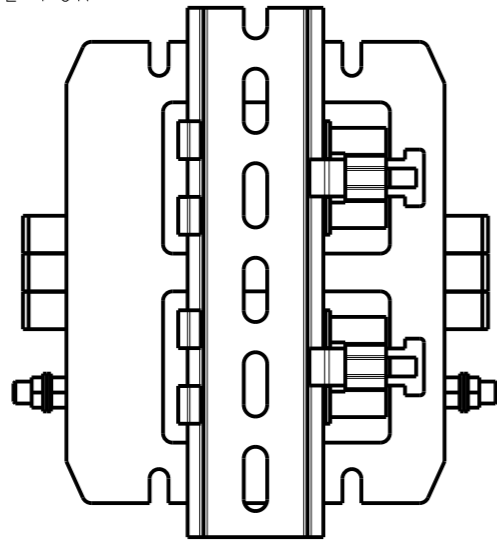
NOTE 1 GROUND CONNECTION:
 FOR ELECTRICAL SAFETY AND FILTER PERFORMANCE
 UNIT MUST HAVE A GOOD GROUND CONNECTION.
 TORQUE OUTER TERMINAL SCREWS: 0.5Nm / 4.5 in.lbs
 TORQUE GROUND NUTS: 2.5-3Nm

NOTE 2 INPUT OUTPUT CONNECTION TERMINAL
 AWG SIZE: 26-12 AWG
 WIRE SECTION: 4 mm²
 THREADED BOLT SIZE FOR GROUND: M6

NOTE 3 SUPPLIED WITH DIN RAIL BRACKET

NOTE 4 DRAWINGS SHOWS DIN RAIL FOR
 REFERENCE ONLY

| REVISIONS | | | | | |
|-----------|-----|-------------|------|-----|------|
| P | LTR | DESCRIPTION | DATE | DWN | APVD |
| | | SEE SHEET 1 | | | |
| | | | | | |
| | | | | | |



FRONT SIDE

REAR SIDE

| | | | | | |
|--|--|--|-------------|--------------------------|--|
| THIS DRAWING IS A CONTROLLED DOCUMENT. | | DWN | 02APR2021 | | |
| | | CHK | 02APR2021 | | |
| | | APVD | 02APR2021 | | |
| | | PRODUCT SPEC | CHRIS BOLLE | | |
| DIMENSIONS: | | TOLERANCES UNLESS OTHERWISE SPECIFIED: | | NAME | |
| mm | | 0 PLC ±0.5 | | POWER LINE FILTER FOR | |
| | | 1 PLC ±0.40 | | DIN 35 RAIL INSTALLATION | |
| | | 2 PLC ±0.130 | | 6KEMS10AFDVM | |
| | | 3 PLC ±0.0500 | | SIZE | |
| | | 4 PLC ANGLES ± | | CAGE CODE | |
| MATERIAL | | FINISH | | DRAWING NO | |
| - | | - | | A300779 | |
| - | | - | | C-7-1609967-3 | |
| | | WEIGHT | | RESTRICTED TO | |
| | | - | | A300779 | |
| | | CUSTOMER DRAWING | | SCALE 1:2 | |
| | | | | SHEET 2 OF 2 | |
| | | | | REV A | |