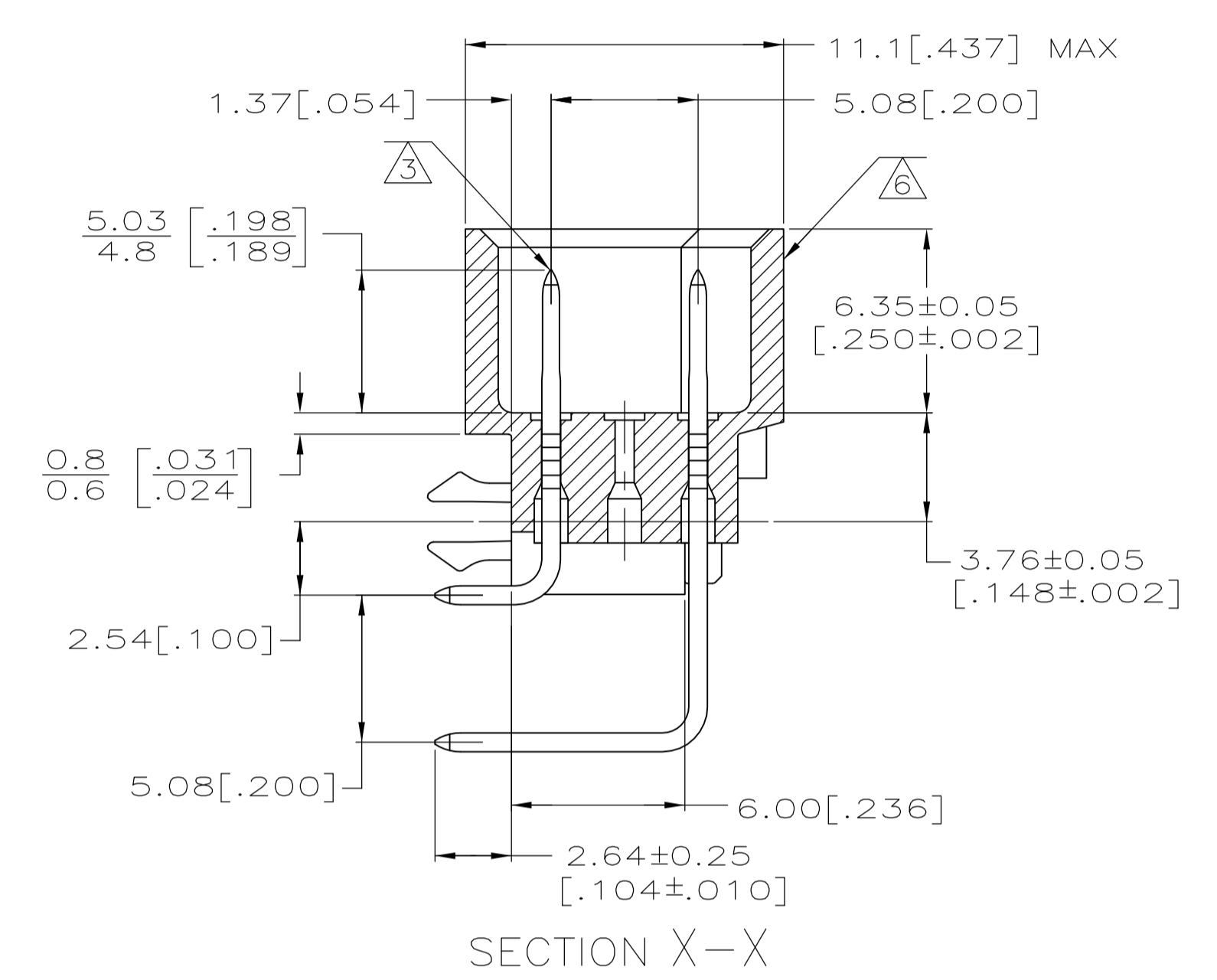


PC BOARD LAYOUT
RECOMMENDED PC BOARD THICKNESS 1.57[.062]

- 1 HOUSING MATERIAL: GLASS-FILLED POLYMER.
- 2 POST MATERIAL: COPPER ALLOY.
- 3 POST FINISH: DIN 41612 CLASS 2 IN CONTACT AREA. TIN PLATE ON POSTS.
- 4 RECOMMENDED HOLE SIZE FOR MANUAL APPLICATION OF CONNECTOR ONTO PC BOARD.
- 5 [PART NUMBER, DATE CODE] MARKED THIS APPROXIMATE AREA.
- 6 MARKING ON THIS SIDE.



REFERENCE FAMILY DRAWING 650473 FOR ALL TYPE C HEADER OFFERINGS

1-32	X	-	X	96	5536356-5
POSITIONS LOADED	C	B	A	NO. OF LOADED	ASSY PART NUMBER

THIS DRAWING IS A CONTROLLED DOCUMENT.		DIN J. POLIGNONE DSMAYOS		TE Connectivity	
DIMENSIONS: mm [INCHES]		TOLERANCES UNLESS OTHERWISE SPECIFIED:		NAME	
0 PLC ± -		1 PLC ± -		ASSEMBLY, PIN, EUROCARD, TYPE C, A and C, 64/96 POSITION, .104 SOLDER POST WITH BOARD-LOCKS	
2 PLC ± -		3 PLC ± 0.13[.005]		APPLICATION SPEC	
4 PLC ± -		ANGLES ± -		SIZE CASE CODE DRAWING NO	
MATERIAL		FINISH		WEIGHT	
CUSTOMER DRAWING		SCALE 5:1		SHEET 1 OF 1 REV A	