

ENG. NO.
SD_35150-029*

EDP NO.

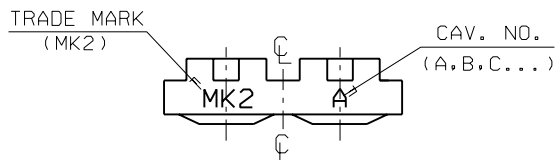
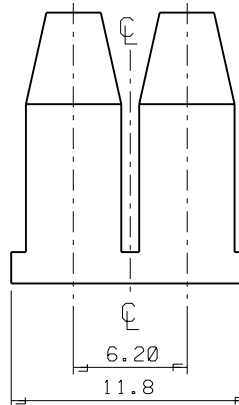
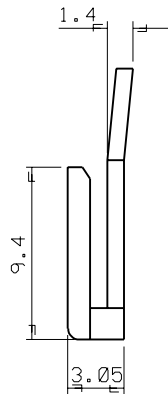
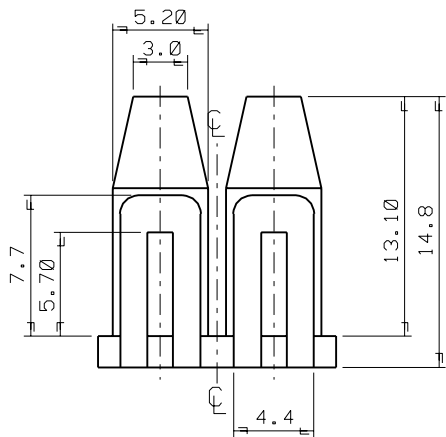
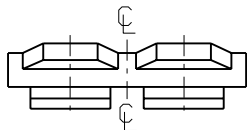
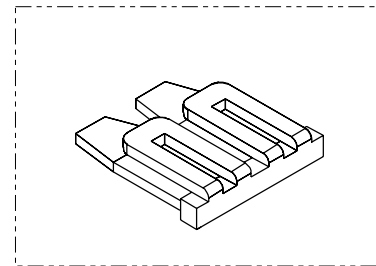
SIMILAR ITEM

PROJECT NO.
.070 W/W CONN'

8 7 6 5 4 3 2 1

NOTES

- MATERIAL : NYLON 66 (UL94V-2)
- COLOR : 35150-0290 (NATURAL)
35150-0292 (RED)
35150-0293 (YELLOW)
35150-0294 (BLUE)
- MATCHED HOUSING : 35150-020*/021*
35151-021*
35150-040*/041*
35151-041*



				MATERIAL SEE NOTES		molex MOLEX-KOREA CO.,LTD.	
				GENERAL TOLERANCE		DRAWN BY J. S. KANG	
				DIMENSION : ±0.3		CHK'D BY	
				ANGLE : ±1°		APP'D BY	
				DIMENSION CLASSIFICATION		SCALE 4/1	
				▽: CRITICAL ▼: MAJOR		TITLE:	
				(): REFERENCE		6.2 PITCH W/W CONN'	
A	NEW RELEASED		95	3.10	DESCRIPTION		SHEET 1 OF 1
LTR	REVISION RECORD	ECN	DATE	ASS'Y PART		T.P.A - 2P	
				REVISE ONLY ON CAD SYSTEM		ENG. NO. SD 35150-029*	
						REV A	