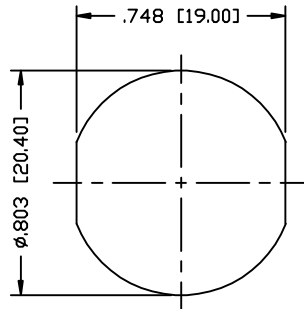


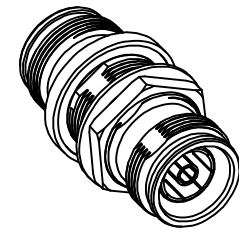
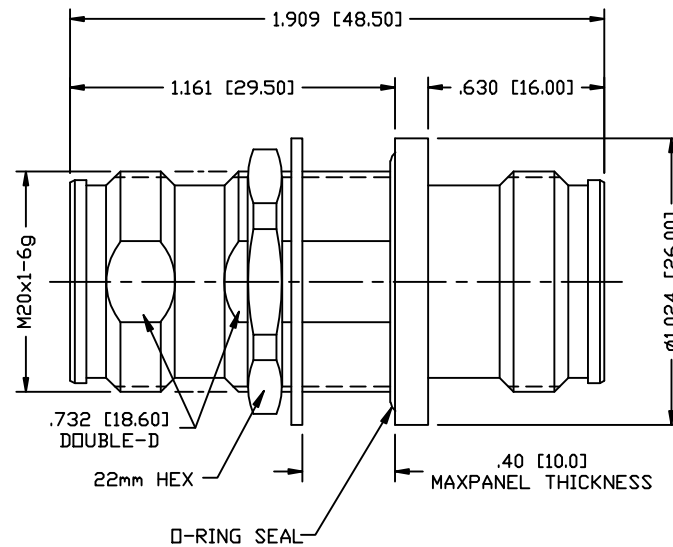
PART NO.

**RFD-43F-FBH**

REV	DESCRIPTION	DWN	DATE	APPROVED
A	ADDED NOTE FOR O-RING	DM	3/6/20	JDMc



RECOMMENDED PANEL PATTERN

SPECIFICATIONS:

INTERFACE: IEC61169-54  
 IMPEDANCE: 50 OHMS  
 FREQUENCY RANGE: DC-6 GHz  
 VSWR MAX: <1.15:1 @ 3 GHz  
 3rd ORDER IM: <-160 dBc @ 1900 MHz  
 OPERATING TEMPERATURE: -40°C TO +155°C  
 RoHS COMPLIANT

5	PROTECTIVE CAP	2	PE	----
4	GROUND RING	2	PHOS. BRONZE	WHITE BRONZE
3	CONTACT	1	BeCu	SILVER
2	INSULATOR	1	PTFE	----
1	BODY	1	BRASS	WHITE BRONZE
#	DESCRIPTION	QTY	MATERIAL	FINISH

CUSTOMER OUTLINE DRAWING	
ALL DIMENSIONS ARE REFERENCE ONLY	
UNLESS OTHERWISE SPECIFIED: DIMENSIONS ARE IN INCHES AND [MILLIMETERS]	
DRAWN D. McREYNOLDS	3/6/20
CHECKED	
ORJ DRAWN C. ZUNIGA	05/01/17

PROPRIETARY AND CONFIDENTIAL  
 THIS DRAWING CONTAINS  
 INFORMATION PROPRIETARY TO  
 RF INDUSTRIES. ANY  
 UNAUTHORIZED USE OF THIS  
 DRAWING IS EXPRESSLY  
 PROHIBITED WITHOUT WRITTEN  
 PERMISSION FROM RF  
 INDUSTRIES. ANY VIOLATION IS  
 PUNISHABLE UNDER U.S.  
 COPYRIGHT LAWS.

**RFconnectors**  
 DIVISION OF RF INDUSTRIES, LTD. 7610 MIRAMAR RD.  
 SAN DIEGO, CA 92126  
 (858) 549-6340  
 (858) 549-6345 FAX

### 4.3-10 FEMALE TO 4.3/10 FEMALE PANEL MOUNT BULKHEAD

SIZE	CABLE GROUP	DWG NO.	REV
A	N/A	<b>RFD-43F-FBH</b>	A
SCALE: NTS	ENGINEERING ID: 000000	SHEET 1 OF 1	