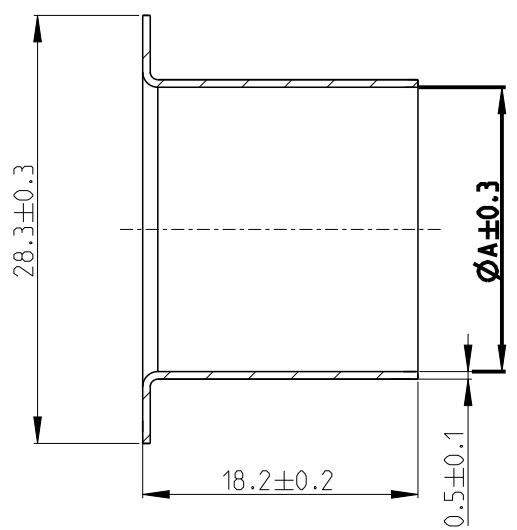
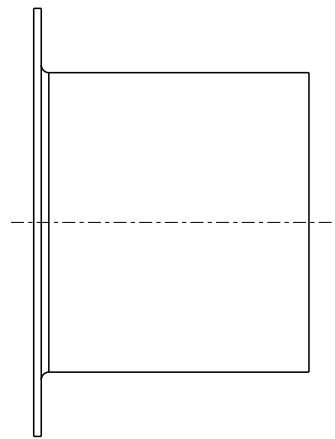
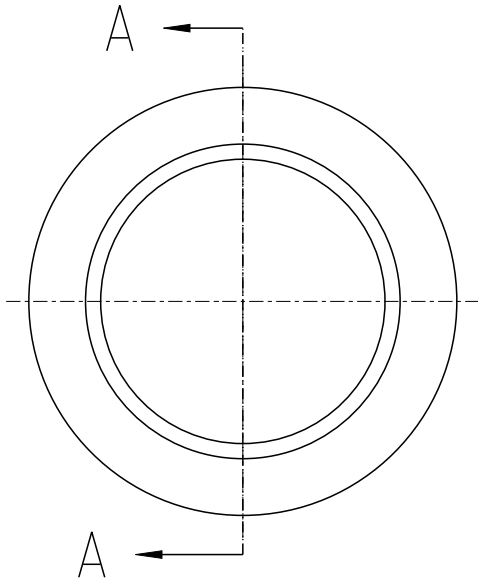


REVISIONS					
P	LTR	DESCRIPTION	DATE	DWN	APVD
	B	FEATURE OPTIMIZATION	04DEC2019	F.MA	E.J
	C	DIAMETRE OPTIMIZATION	12OCT2020	K.SI	E.J
	C1	ADD NEW PART	24FEB2020	K.SI	I.Y
	C2	ADD NEW PART	30MAR2022	C.C	Z.Z



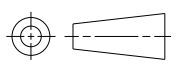
SECTION A-A

1. SUPPLIED FORM: LOOSE PIECE PACKED INTO CARTON

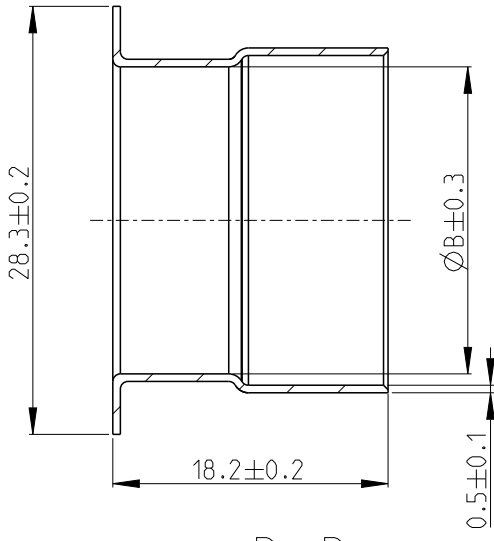
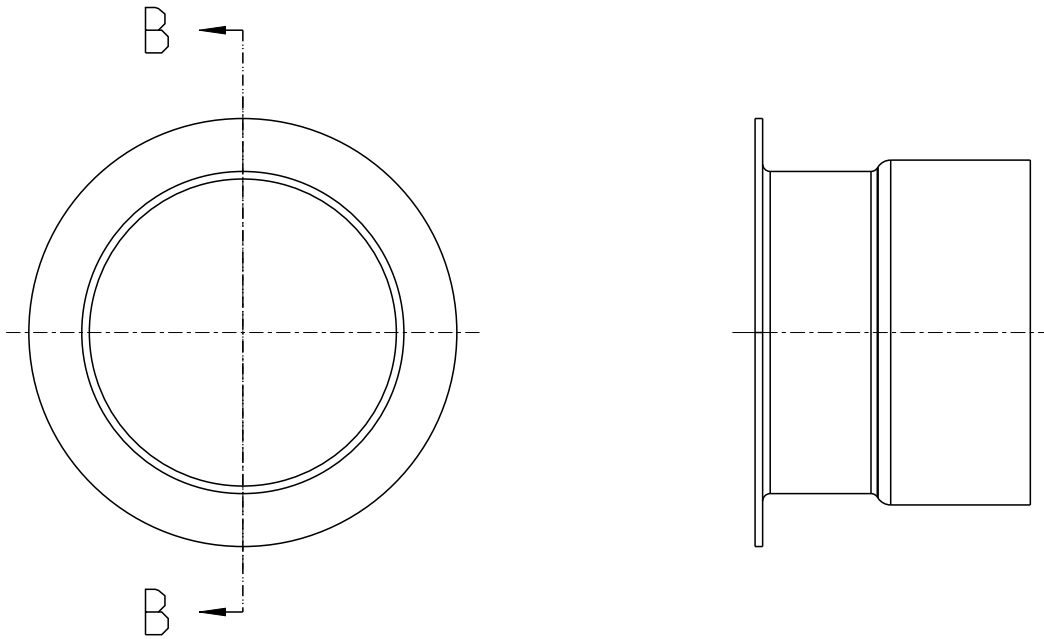
2355148-3	FOR 50MM <sup>2</sup> ISO H+S	14.9+/-0.3	16.70
2355148-2	FOR 50MM <sup>2</sup> COROPLAST WIRE	15.8+0/-0.6	16.10
2355148-1	FOR 70MM <sup>2</sup> COROPLAST WIRE	18.2+0/-0.8	18.80
P/N	DECIPTION	WIRE SIZE	A

THIS DRAWING IS UNPUBLISHED.  
 ALL RIGHTS RESERVED.  
 © COPYRIGHT copyright\_date BY -

DIMENSIONS: mm	DWN F.MA	27JUN2019	MATERIAL	STAINLESS		FINISH
	CHK E.JIANG	04JUL2019	TE Connectivity			
TOLERANCES UNLESS OTHERWISE SPECIFIED:	APVD I.YIN	04JUL2019				
0 PLC ±0.5	PRODUCT SPEC	108-160140	SIZE	CAGE CODE	DRAWING NO	RESTRICTED TO
1 PLC ±0.5	APPLICATION SPEC	114-160083	A 4	00779	©=2355148	
2 PLC ±0.5	WEIGHT		CUSTOMER DRAWING			
3 PLC ±0.5			SCALE	2:1	SHEET	1 OF 2
4 PLC ±0.5					REV	C2
ANGLES ±						



REVISIONS					
P	LTR	DESCRIPTION	DATE	DWN	APVD
-		SEE SHEET 1	-	-	-



SECTION B-B

1. SUPPLIED FORM: LOOSE PIECE PACKED INTO CARTON



2355148-5	FOR 95MM <sup>2</sup> ISO H+S	19.9+/-0.4	20.6
2355148-4	FOR 95MM <sup>2</sup> COROPLAST WIRE	20.9+0/-0.8	21.2
P/N	DECIPTION	WIRE SIZE	B

THIS DRAWING IS UNPUBLISHED.  
 ALL RIGHTS RESERVED.  
 © COPYRIGHT copyright\_date BY -

DIMENSIONS: mm		DWN F.MA 27 JUN 2019	MATERIAL STAINLESS		FINISH
TOLERANCES UNLESS OTHERWISE SPECIFIED:		CHK E.JIANG 04 JUL 2019			
0 PLC ±0.5	1 PLC ±0.5	APVD I.YIN 04 JUL 2019			
2 PLC ±0.5	3 PLC ±0.5	PRODUCT SPEC 108-160140	NAME IPT HD SHIELDING SLEEVE		
4 PLC ±0.5	ANGLES ±	APPLICATION SPEC 114-160083	SIZE A 4	CAGE CODE 00779	DRAWING NO C=2355148
		WEIGHT	RESTRICTED TO		
CUSTOMER DRAWING			SCALE 2:1	SHEET 2 OF 2	REV C2