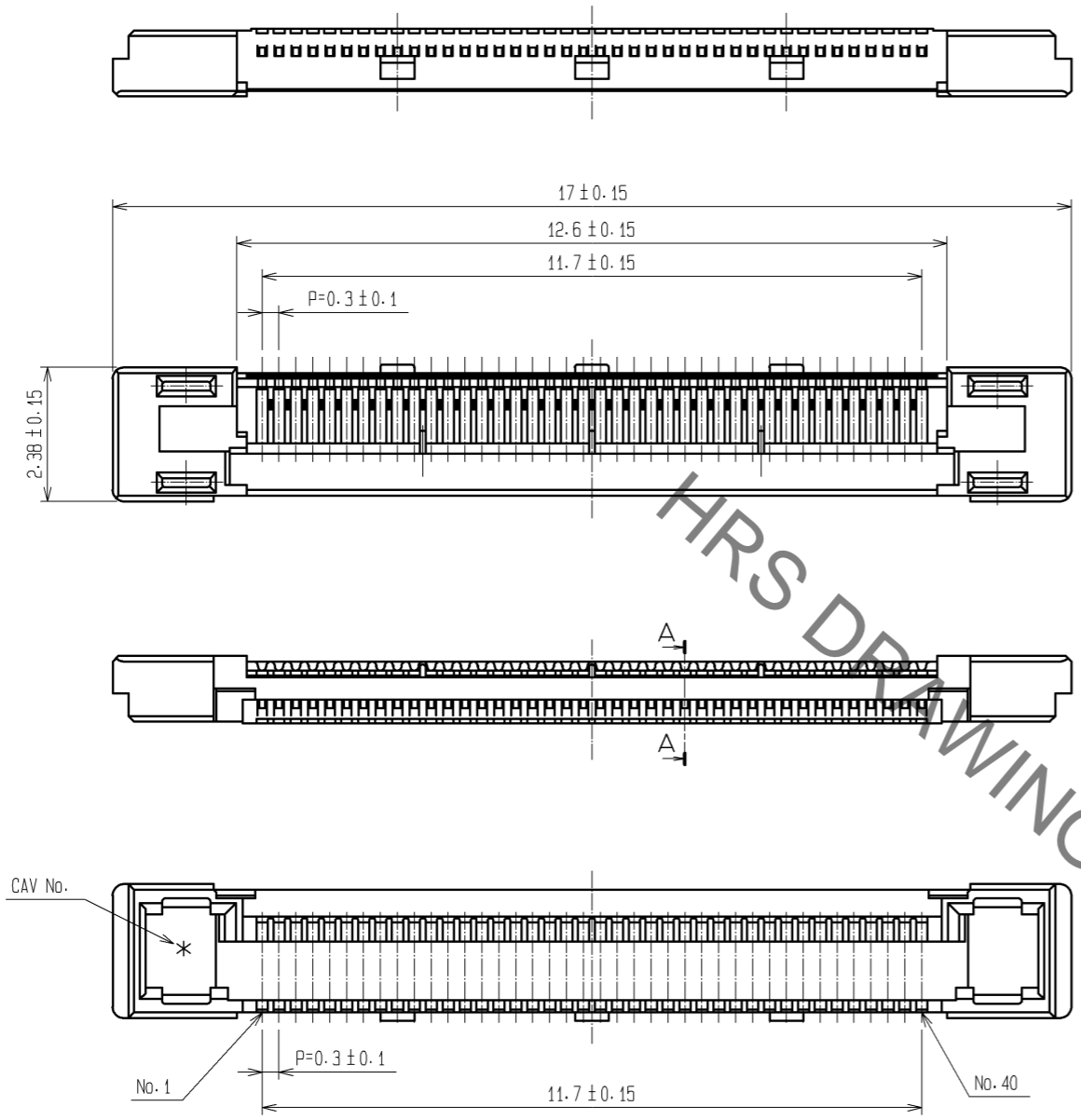
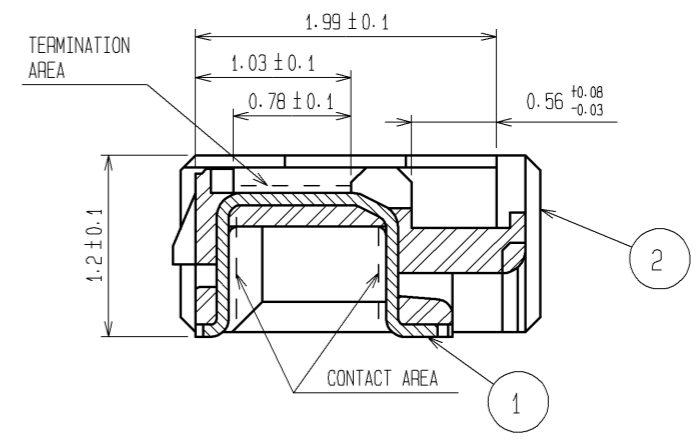


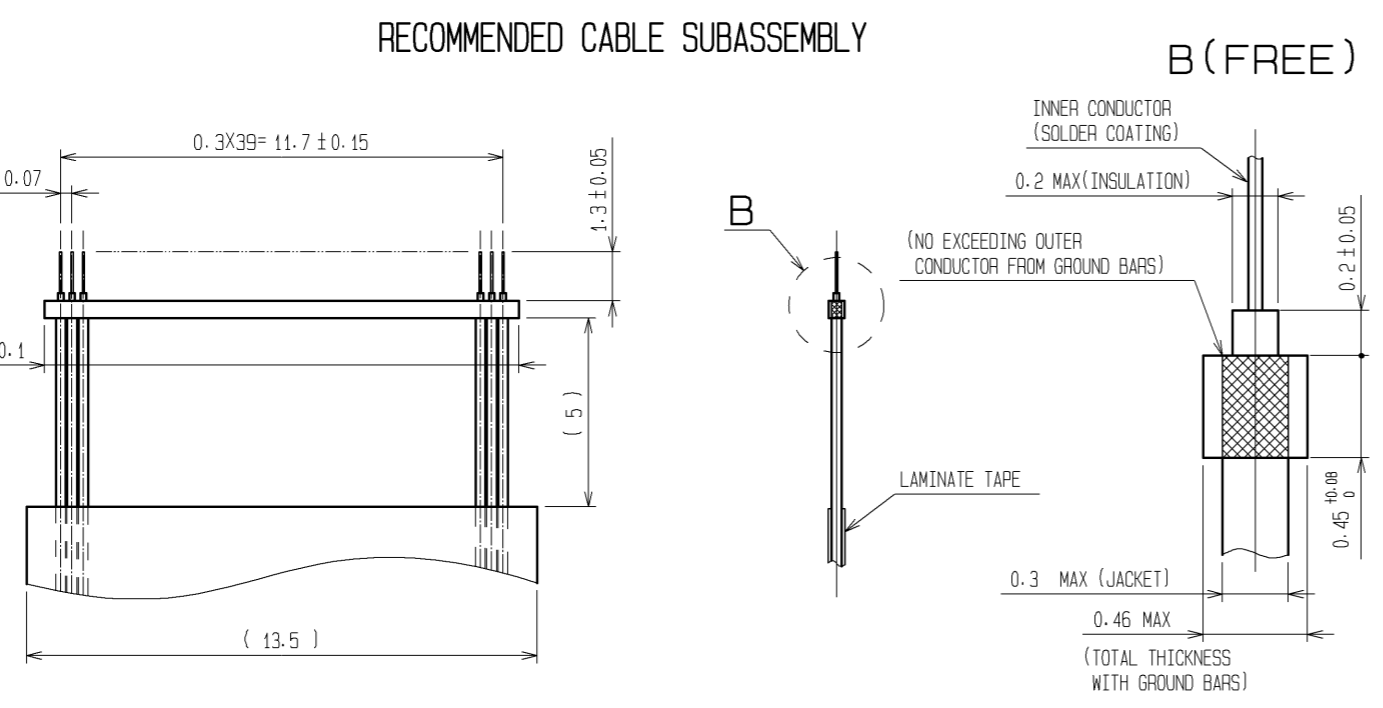
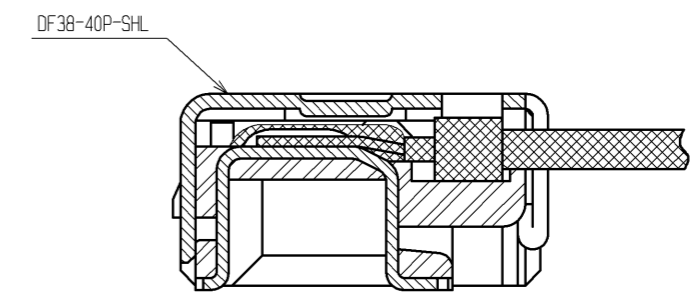
May.1.2023 Copyright 2023 HIROSE ELECTRIC CO., LTD. All Rights Reserved.
In case of consideration for using Automotive equipment / device which demand high reliability, kindly contact our sales window correspondents.



A-A (20:1)



CABLE TERMINATION FIGURE (20:1)



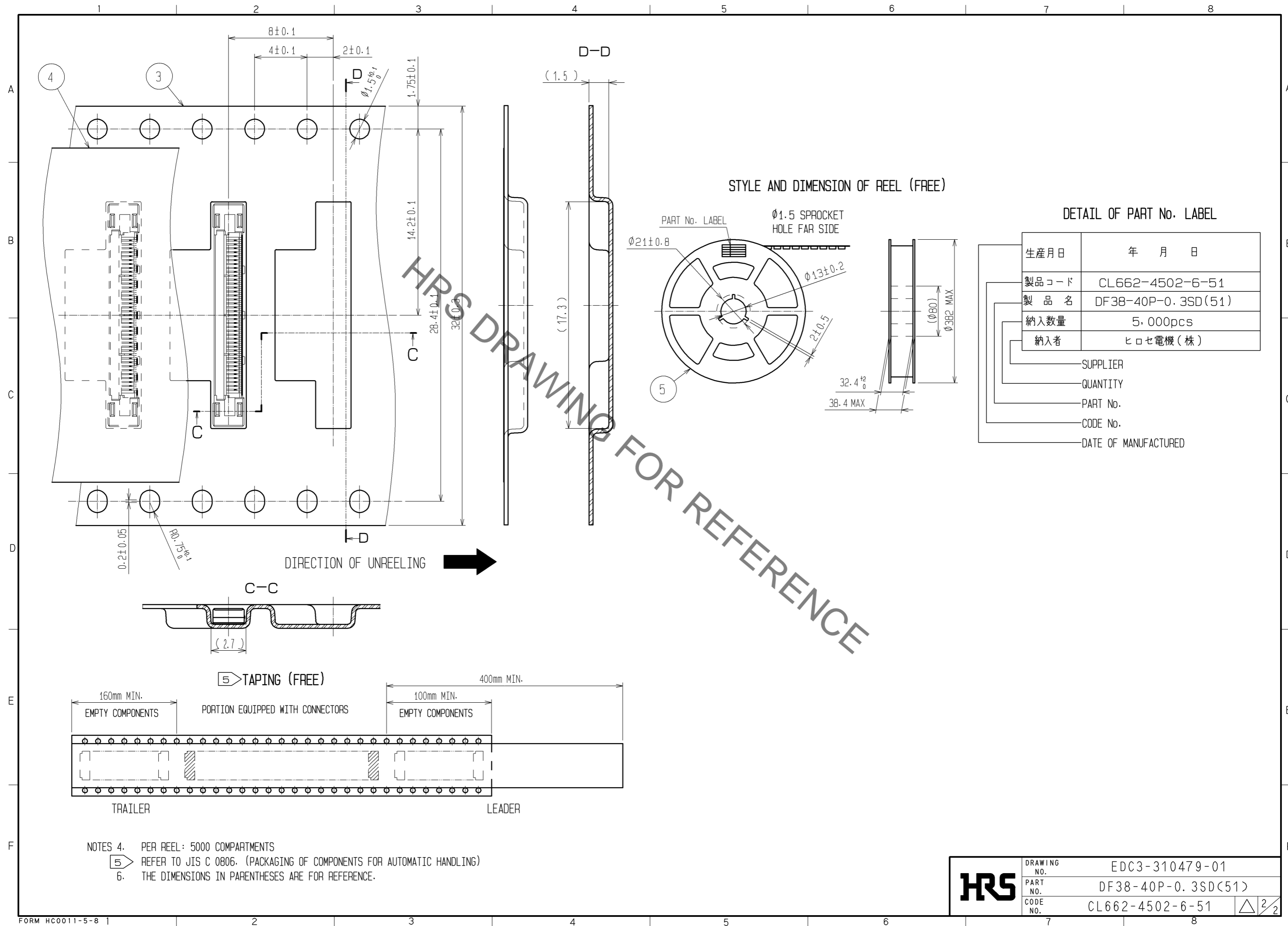
- NOTES 1. APPLICABLE CABLE: THIN COAXIAL CABLE (AWG#42~AWG#46)
 2. THIS CONNECTOR IS NOT HOT PLUGGABLE. MATE AND UNMATE WHILE THE POWER IS OFF.
 3. THE ASSEMBLY IS COMPLETED BY COMBINING TWO PARTS [CONNECTOR UNIT, AND METAL SHIELDING]. REFER TO THE TABLE FOR EACH ITEM No., PART NAME, PART No AND CODE No.

| ITEM No. | PART NAME | PART No. | CODE No. |
|----------|-----------------|--------------------|-----------------|
| 1,2 | CONNECTOR UNIT | DF38-40P-0.3SD(51) | CL662-4502-6-51 |
| - | METAL SHIELDING | DF38-40P-SHL | CL662-4503-9 |

| NO. | MATERIAL | FINISH | REMARKS | NO. | MATERIAL | FINISH | REMARKS |
|---------------|--------------------|------------------|----------------------|-----|-----------|--------|---------|
| 2 | LCP | | UL94V-0, BLACK | 5 | PS | | BLACK |
| 1 | PHOSPHOR BRONZE | CONTACT AREA | Au PLATING 0.1µm min | 4 | POLYESTER | | CLEAR |
| | | TERMINATION AREA | Au PLATING 0.1µm min | 3 | PS | | CLEAR |
| UNDER PLATING | Ni PLATING 1µm min | | | | | | |

| UNITS | SCALE | COUNT | DESCRIPTION OF REVISIONS | DESIGNED | CHECKED | DATE |
|--------------------------|-------|-------|--------------------------|-----------------------------|---------|------|
| mm | FREE | △ | | | | |
| APPROVED : TS. SAKATA | | | 13.07.12 | DRAWING NO. EDC3-310479-01 | | |
| CHECKED : TS. SAKATA | | | 13.07.12 | PART NO. DF38-40P-0.3SD(51) | | |
| DESIGNED : TP. MATSUMOTO | | | 13.07.11 | CODE NO. CL662-4502-6-51 | | |
| DRAWN : TP. MATSUMOTO | | | 13.07.11 | △ 1/2 | | |

May.1.2023 Copyright 2023 HIROSE ELECTRIC CO., LTD. All Rights Reserved.
In case of consideration for using Automotive equipment / device which demand high reliability, kindly contact our sales window correspondents.



HRS DRAWING FOR REFERENCE

| | | | |
|------------|-------------|--------------------|-------|
| HRS | DRAWING NO. | EDC3-310479-01 | |
| | PART NO. | DF38-40P-0.3SD(51) | |
| | CODE NO. | CL662-4502-6-51 | △ 2/2 |