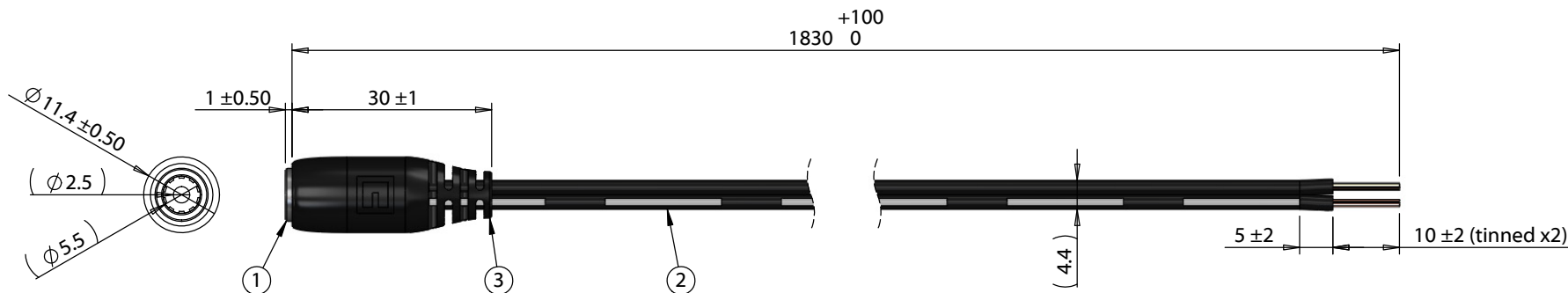


ITEM NO.	PART NUMBER	DESCRIPTION	QTY.	COMPONENT NOTES
1	50-00543	Connector, dc jack, 5.5x2.5x17.6 mm, molding style, spring contacts, nickel plated, 105° C	1	
2	30-01248	Wire, 2C, 18 AWG, UL4384, 300V, 105 °C, 4.4 mm, VW-1, LSZH, XLPE	1	
3	24-00004	Overmold	1	TPE, 105 °C, black



Wiring Diagram	
50-00543	wire color
center	black with stripe
sleeve	black

Revision:	Date:	Description:	Prepared:	Notes:	<h1>TENSILITY</h1> <p>tel 1.541.323.3228 800 877.670.7118 fax 1.541.323.4202 web tensility.com</p>
A	10/03/2018	Initial release	Verified:	RoHS compliant	
			Dimensions are in millimeters.	Function test: no open, no short circuit, no intermittent	
			Tolerances: X: ± 0.5 mm X.X: ± 0.3 mm X.XX: ± 0.05 mm	Low smoke, zero halogen	
				Description:	Size: Part number:
				Cable, 1830 mm, 5.5x2.5 mm 50-00543 dc jack to 10 mm tinned, 18 AWG, 30-01248, LSZH	A 10-03137
					Scale: 1:1
					Sheet 1 of 1

5

4

3

2

1