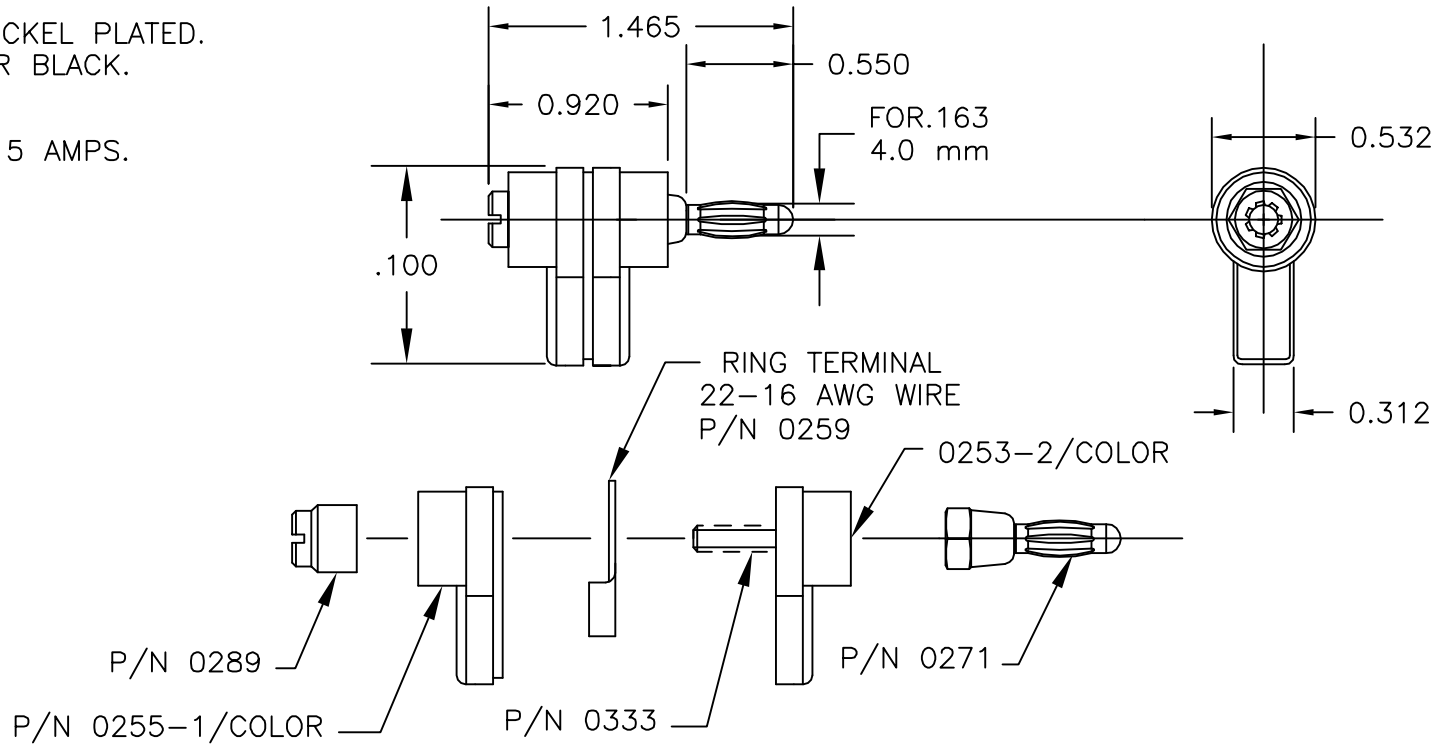



NOTE UNLESS OTHERWISE SPECIFIED.

- 1 MATERIAL:
BANANA PLUG BODY BRASS
SPRING CONTACT PHOSPHOR
BRONZE
HOUSING MOLDED NYLON.
- 2 FINISH:
BANANA PLUG NICKEL PLATED.
HOUSING RED OR BLACK.
- 3 ELECTRICAL:
MAX. CURRENT 15 AMPS.

LTR	DESCRIPTION	DATE	APPROVEI



		UNLESS OTHERWISE SPECIFIED DIMENSIONS ARE IN INCHES TOLERANCES ARE: FRACTIONS DECIMALS ANGLES ± .XX ± ± .XXX ±	CONTRACT NO.		 DIVISION OF TEKTEST INC. ARCADIA, CA 91006 U.S.A.				
			APPROVALS	DATE					DESCRIPTION RIGHT ANGLE STANDARD BANANA PLUG
		DRAWN S.B.W.	5/89	APPROVED BY		SIZE	CODE IDENT NO.	DRAWING NO.	
		MATERIAL	APPROVED BY			A	08505	9304	
		FINISH			APPROVED BY		SCALE	FULL	
NEXT ASSY	USED ON	DO NOT SCALE DRAWING							
APPLICATION		DO NOT SCALE DRAWING						SHEET 1 OF 1	

THE INFORMATION CONTAINED IN THIS DOCUMENT IS PROPRIETARY TO E-Z-HOOK. THE INFORMATION IS NOT TO BE REPRODUCED WITHOUT PRIOR WRITTEN PERMISSION OF E-Z-HOOK, DIV. OF TEKTEST INC. MAXIMUM TESTED RATINGS IN A HANDS-FREE CONTROLLED ENVIRONMENT. MAXIMUM RATINGS ARE NOT TO BE USED CONCURRENTLY.