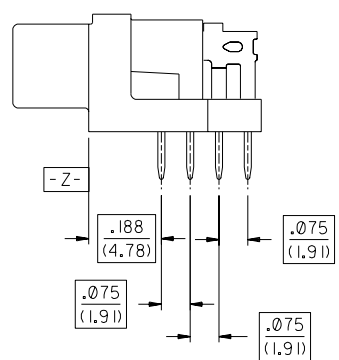
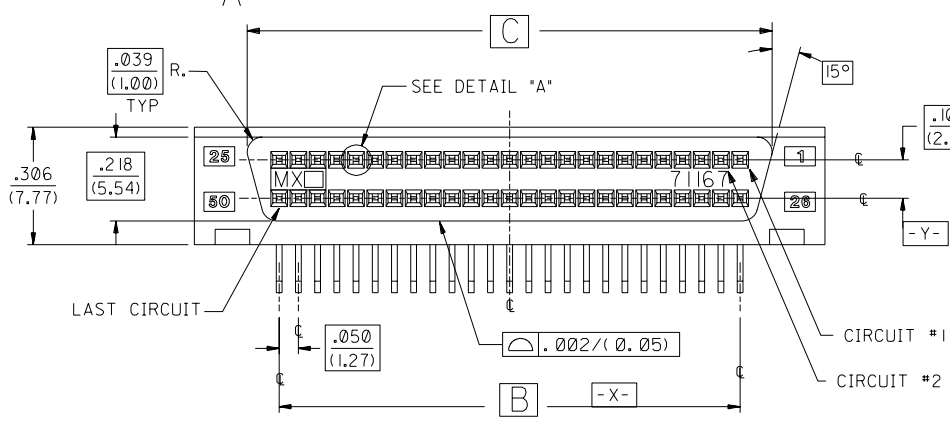
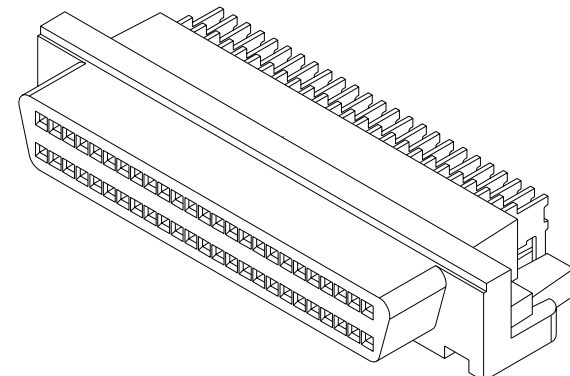
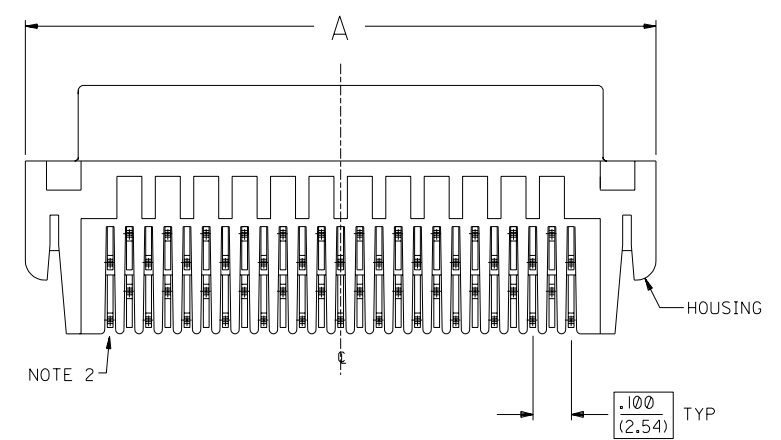


DETAIL "A"
SCALE 10:1



RETENTION TAIL OPTION
A-71061-1*** AND A-71061-3***



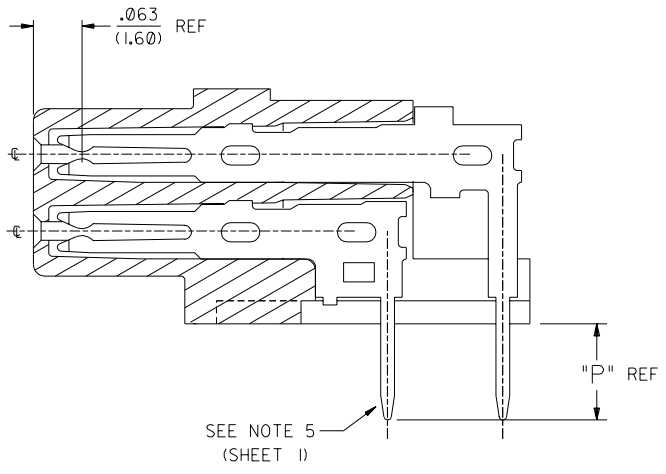
- NOTES:**
- REFER TO PS-79058 PRODUCT SPEC. FOR ELECTRICAL, MECHANICAL AND ENVIRONMENTAL SPECIFICATIONS.
 - MATERIAL:**
RECEPTACLE HOUSING: GLASS FILLED LCP (LIQUID CRYSTAL POLYMER); COLOR - BLACK; UL 94V-0
TERMINALS: PHOSPHOR BRONZE
 - PACKAGING:**
PARTS PACKAGED IN TUBES PER PK-70873-0423
 - SEE SHEET 5 FOR CHARTED DIMENSIONS.
 - FOR FIXED TAIL/PCB PATTERN AT LAST CIRCUIT POSITIONS REFER TO SECTION A-A ON SHEETS 2 AND 3, AND PCB LAYOUT SHOWN ON SHEETS 4 AND 5.
- PLATING FINISH**
SELECTIVE GOLD: THICKNESS= 30 MICROINCHES/(0.76 MICROMETERS) MINIMUM.
SELECTIVE TIN: THICKNESS= 75 MICROINCHES/(1.90 MICROMETERS) MINIMUM.
NICKEL UNDERPLATE OVERALL.

NOTE FOR LEAD FREE CONVERSION:
THE PRIMARY SHIPPING CARTON WILL BE LABELED "COMPLIANT TO ROHS DIRECTIVE 2002/95/EC AND ELV ANNEX II OF DIRECTIVE 2000/53/EC". CARTONS WITHOUT THIS LABEL MAY CONTAIN PRODUCT WITH LEAD.

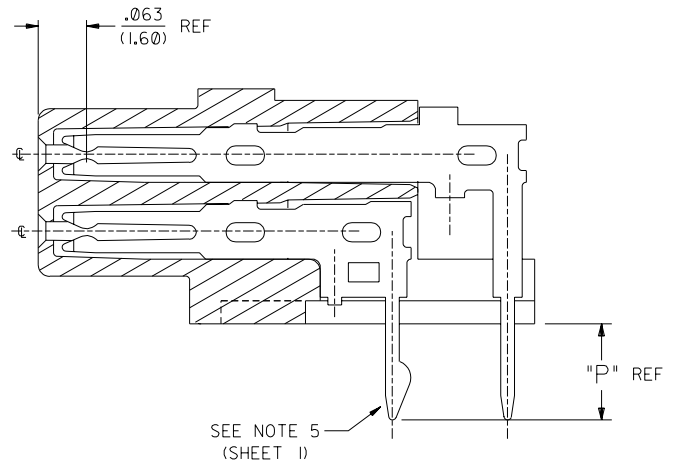
LTR. REVISIONS		E		ADDED -3* SERIES EC #UDT2000-0115 J. LONG 99/07/30		DIMENSIONS SHOWN (METRIC) INCH UNLESS OTHERWISE SPECIFIED TOLERANCES: ANGULAR ± 1/2°		REVISE ONLY ON CAD SYSTEM	
G		DI		OBSOLETE PART # ECN# UCP2005-0311 BSMART 04/08/09		3 PLACE ± .005 ---		TITLE SALES ASSEMBLY SCSI RECEPTACLE	
F		D		LEADFREE ECN# UCP2004-1925 DMORGAN 04/04/06		2 PLACE ± --- ± 0.13		MOLEX INCORPORATED SHEET NO. DATE U.S.A. 1 of 5 95/03/02	
LTR. REVISIONS		LTR. REVISIONS		ADDED NEW TAIL PATTERN PER ECN # U60600 95/11/14 J. LONG		1 PLACE --- ± ---		PART NO. DRWG. NO. SEE SHEET 5 SDA-71061-****	
						DRAWING BY: J. Long		FILE NAME: 57106101.DGN	
						APPROV. BY: DJB		THIS DRAWING CONTAINS INFORMATION THAT IS PROPRIETARY TO MOLEX INC. AND SHOULD NOT BE USED WITHOUT WRITTEN PERMISSION.	

5	G
4	G
3	G
2	G
1	G

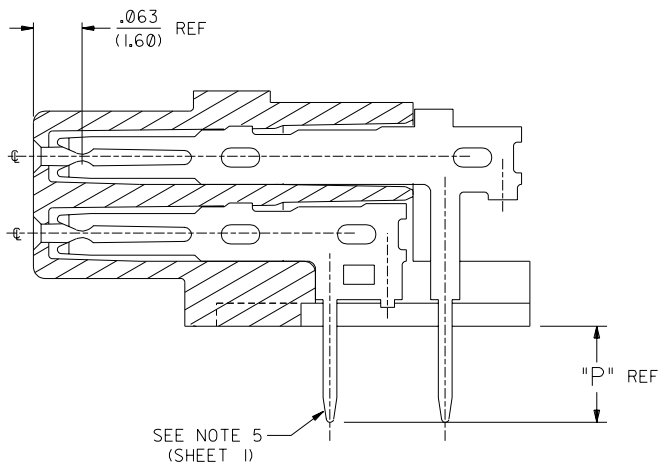
MFG. SH. REV.



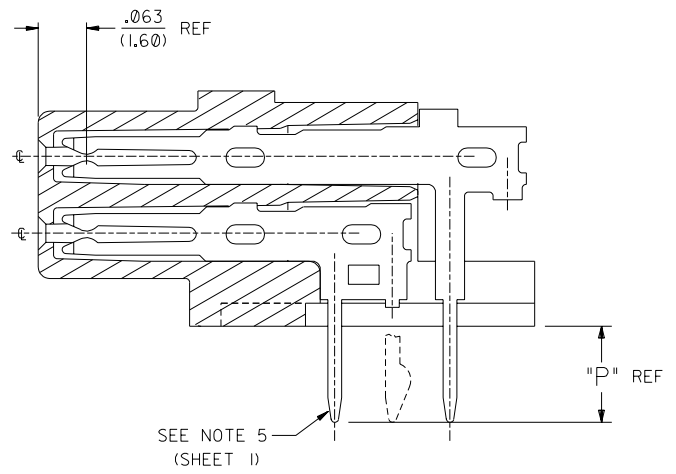
FOR 50 CIRCUIT ASSEMBLIES
A-71061-0***



FOR 50 CIRCUIT ASSEMBLIES
A-71061-1***



FOR 68 CIRCUIT ASSEMBLIES
SECTION A-A
A-71061-0***



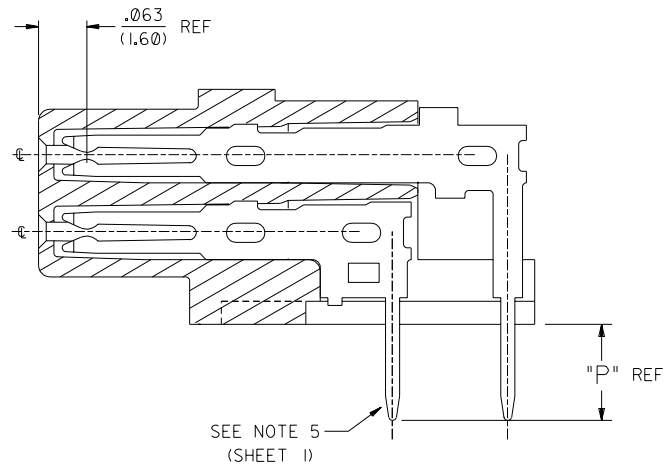
FOR 68 CIRCUIT ASSEMBLIES
SECTION A-A
FOR RETENTION TAIL OPTION
A-71061-1***

** TYPE I TAIL OPTIONS **

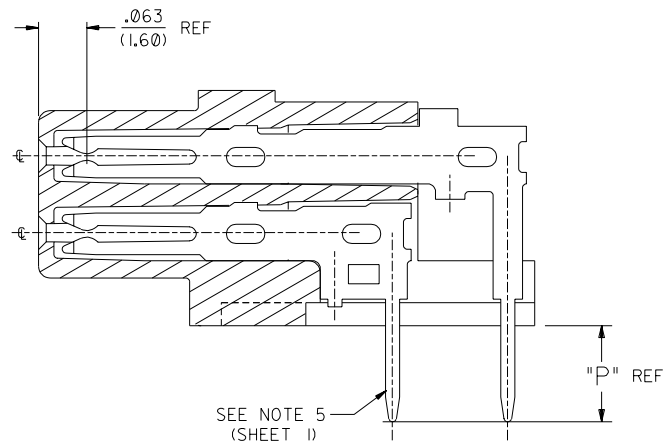
		D	SEE SHEET 1
G	SEE SHEET 1	B	SEE SHEET 1
E	SEE SHEET 1	A	SEE SHEET 1
LTR.	REVISIONS	LTR.	REVISIONS

DIMENSIONS SHOWN (METRIC) INCH	
UNLESS OTHERWISE SPECIFIED TOLERANCES: ANGULAR ± 1/2°	
3 PLACE	± .005
2 PLACE	± --- ± 0.13
1 PLACE	± --- ± ---
DRAFT WHERE APPLICABLE MUST REMAIN WITHIN DIMENSIONS	
DRWG. BY: J. Long	CHK'D. BY: J. Long
APPR'D. BY:	SCALE: 4 : 1

MFG. SH. REV.		REVISE ONLY ON CAD SYSTEM	
TITLE: SALES ASSEMBLY SCSI RECEPTACLE			
MOLEX INCORPORATED LITSE, ILL. 60532 U.S.A.		SHEET NO. 2	DATE 95/03/03
PART NO. SEE SHEET 5		DRWG. NO. SDA-71061-***	
FILE NAME: 57106102.DEN		THIS DRAWING CONTAINS INFORMATION THAT IS PROPRIETARY TO MOLEX INC. AND SHOULD NOT BE USED WITHOUT WRITTEN PERMISSION.	
DC	C	DC	C



FOR TYPE I 50 CIRCUIT ASSEMBLIES
A-71061-2***

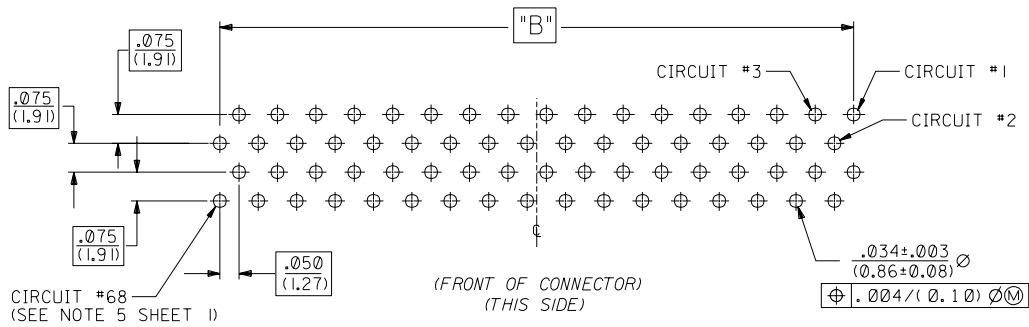


FOR TYPE II 68 CIRCUIT ASSEMBLIES
SECTION A-A
A-71061-2***

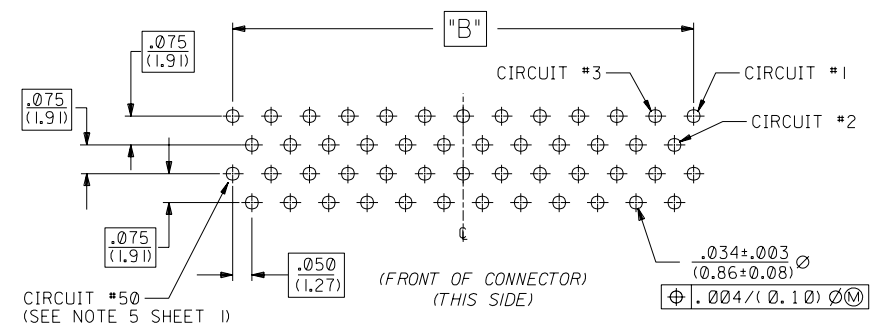
71061

MFG. SH. REV.

		G		SEE SHEET 1	DIMENSIONS SHOWN (METRIC) INCH UNLESS OTHERWISE SPECIFIED TOLERANCES: ANGULAR ± 1/2°		REVISE ONLY ON CAD SYSTEM																
		E		SEE SHEET 1	<table border="1"> <tr> <td>3 PLACE</td> <td>± .005</td> <td>---</td> </tr> <tr> <td>2 PLACE</td> <td>± ---</td> <td>± 0.13</td> </tr> <tr> <td>1 PLACE</td> <td>---</td> <td>± ---</td> </tr> </table>		3 PLACE	± .005	---	2 PLACE	± ---	± 0.13	1 PLACE	---	± ---	<table border="1"> <tr> <td>TITLE</td> <td>SALES ASSEMBLY SCSI RECEPTACLE</td> </tr> <tr> <td>PART NO.</td> <td>SDA-71061-***</td> </tr> <tr> <td>DRWG. NO.</td> <td>SEE SHEET 5</td> </tr> </table>		TITLE	SALES ASSEMBLY SCSI RECEPTACLE	PART NO.	SDA-71061-***	DRWG. NO.	SEE SHEET 5
3 PLACE	± .005	---																					
2 PLACE	± ---	± 0.13																					
1 PLACE	---	± ---																					
TITLE	SALES ASSEMBLY SCSI RECEPTACLE																						
PART NO.	SDA-71061-***																						
DRWG. NO.	SEE SHEET 5																						
		D		SEE SHEET 1	<table border="1"> <tr> <td>INCH</td> <td>METRIC</td> </tr> <tr> <td>---</td> <td>---</td> </tr> </table>		INCH	METRIC	---	---	<table border="1"> <tr> <td>MOLEX INCORPORATED</td> <td>SHEET NO.</td> <td>DATE</td> </tr> <tr> <td>LITSE, ILL. 60532 U.S.A.</td> <td>3</td> <td>95/11/14</td> </tr> </table>		MOLEX INCORPORATED	SHEET NO.	DATE	LITSE, ILL. 60532 U.S.A.	3	95/11/14					
INCH	METRIC																						
---	---																						
MOLEX INCORPORATED	SHEET NO.	DATE																					
LITSE, ILL. 60532 U.S.A.	3	95/11/14																					
LTR.		REVISIONS		LTR.	REVISIONS		<table border="1"> <tr> <td>DRWG. BY</td> <td>J. Long</td> <td>CHK'D. BY</td> <td>J. Long</td> </tr> <tr> <td>APP'D. BY</td> <td></td> <td>SCALE</td> <td>4 : 1</td> </tr> </table>		DRWG. BY	J. Long	CHK'D. BY	J. Long	APP'D. BY		SCALE	4 : 1							
DRWG. BY	J. Long	CHK'D. BY	J. Long																				
APP'D. BY		SCALE	4 : 1																				
						<table border="1"> <tr> <td>FILE NAME</td> <td>ST106103</td> <td>THIS DRAWING CONTAINS INFORMATION THAT IS PROPRIETARY TO MOLEX INC. AND SHOULD NOT BE USED WITHOUT WRITTEN PERMISSION.</td> <td>DIV.</td> <td>DC</td> </tr> <tr> <td>DEN.</td> <td></td> <td></td> <td></td> <td></td> </tr> </table>		FILE NAME	ST106103	THIS DRAWING CONTAINS INFORMATION THAT IS PROPRIETARY TO MOLEX INC. AND SHOULD NOT BE USED WITHOUT WRITTEN PERMISSION.	DIV.	DC	DEN.										
FILE NAME	ST106103	THIS DRAWING CONTAINS INFORMATION THAT IS PROPRIETARY TO MOLEX INC. AND SHOULD NOT BE USED WITHOUT WRITTEN PERMISSION.	DIV.	DC																			
DEN.																							

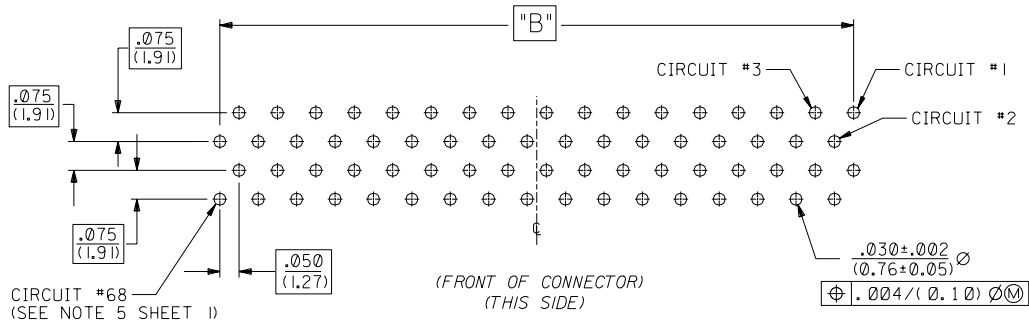


TYPE 168 CIRCUIT P.C. BOARD LAYOUT
CONNECTOR SIDE

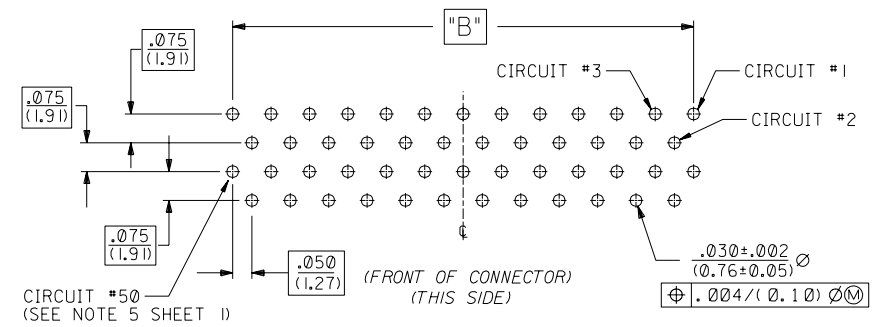


TYPE 150 CIRCUIT P.C. BOARD LAYOUT
CONNECTOR SIDE

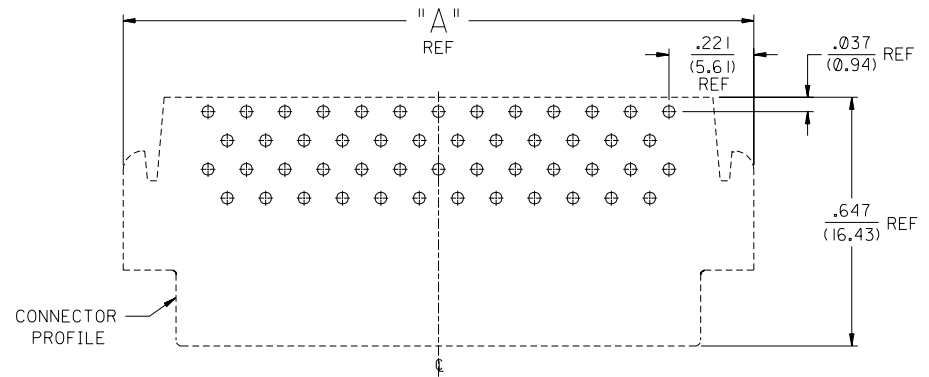
TYPE 1 TAIL P.C. BOARD LAYOUT FOR A-71061-0***



TYPE 168 CIRCUIT P.C. BOARD LAYOUT
CONNECTOR SIDE



TYPE 150 CIRCUIT P.C. BOARD LAYOUT
CONNECTOR SIDE



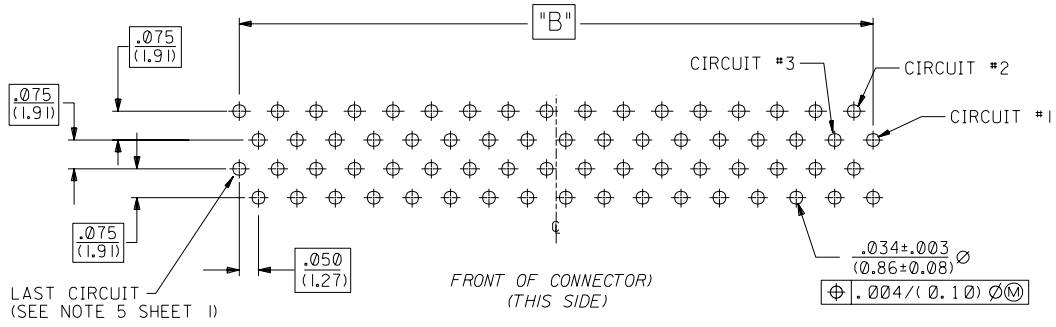
RECOMMENDED CONNECTOR LAYOUT
(50 CKT SHOWN FOR REFERENCE)

TYPE 1 RETENTION TAIL P.C. BOARD LAYOUT A-71061-1***

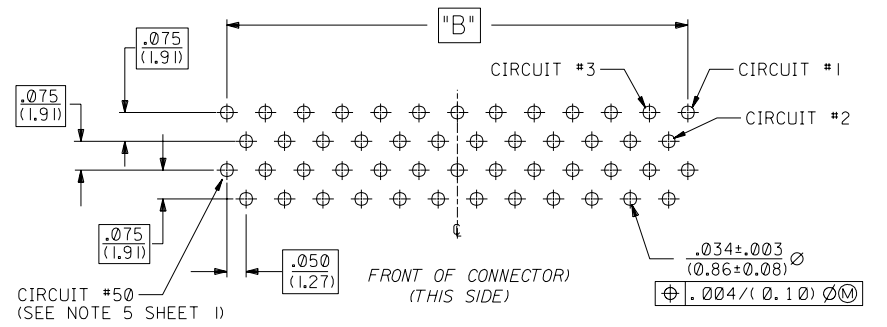
D		SEE SHEET 1	DIMENSIONS SHOWN (METRIC) INCH UNLESS OTHERWISE SPECIFIED TOLERANCES: ANGULAR ± 1/2°		REVISE ONLY ON CAD SYSTEM		
G	SEE SHEET 1	B	SEE SHEET 1	3 PLACE ± .005 METRIC	TITLE SALES ASSEMBLY SCSI RECEPTACLE		
E	SEE SHEET 1	A	SEE SHEET 1	2 PLACE ± --- ± 0.13	MOLEX INCORPORATED SHEET NO. 4 DATE 95/03/03 LITTLE, ILL. 60532 U.S.A.		
LTR.	REVISIONS	LTR.	REVISIONS	1 PLACE --- ± ---	PART NO. SEE SHEET 5 DRWG. NO. SDA-71061-****		
			DRAFT WHERE APPLICABLE MUST REMAIN WITHIN DIMENSIONS			THIS DRAWING CONTAINS INFORMATION THAT IS PROPRIETARY TO MOLEX INC. AND SHOULD NOT BE USED WITHOUT WRITTEN PERMISSION.	
DRWG. BY J. Long		CHK'D BY J. Long		FILE NAME S7106104.DGN		DIV. SIZE DC C	

13	12	11	10	9	8	7	6	5	4	3	2	1		
A-71061-0*** ITEM NO.	A-71061-1*** ITEM NO.	A-71061-2*** ITEM NO.		CKT. SIZE	DIM. A		DIM. B		DIM. C		DIM. P		REC'D PCB	
					INCH	MM	INCH	MM	INCH	MM	INCH	MM	INCH	MM
71061-0001				50	1.642	41.71	1.200	30.48	1.366	34.70	.125	3.18	.062	1.57
71061-0003	71061-1003	71061-2003		68	2.092	53.14	1.650	41.91	1.816	46.13	.125	3.18	.062	1.57

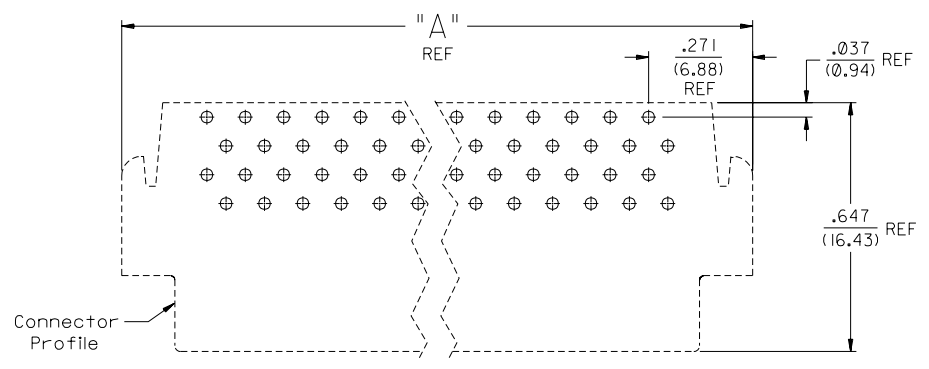
71061



TYPE 1168 CIRCUIT P.C. BOARD LAYOUT
CONNECTOR SIDE



TYPE 150 CIRCUIT P.C. BOARD LAYOUT
CONNECTOR SIDE



Recommended Connector Layout
(TYPE 1168 CIRCUIT SHOWN FOR REFERENCE)

TYPE 11 TAIL P.C. BOARD LAYOUT FOR 68 CKT A-71061-2***

L.T.R.		REVISIONS		L.T.R.		REVISIONS		DIMENSIONS SHOWN (METRIC) INCH UNLESS OTHERWISE SPECIFIED TOLERANCES: ANGULAR ± 1/2° 3 PLACE ± .005 --- 2 PLACE ± --- ± 0.13 1 PLACE --- ± --- DRAFT WHERE APPLICABLE MUST REMAIN WITHIN DIMENSIONS DRWG. BY: J. Long APP'D. BY: J. Long CHK'D. BY: J. Long SCALE: 1/4" = 1"		MFG. SH. REV. REVISE ONLY ON CAD SYSTEM TITLE: SALES ASSEMBLY SCSI RECEPTACLE PART NO.: SEE CHART FILE NAME: S71061-105.DGN THIS DRAWING CONTAINS INFORMATION THAT IS PROPRIETARY TO MOLEX INC. AND SHOULD NOT BE USED WITHOUT WRITTEN PERMISSION.		SHEET NO. 5 DATE 95/11/14 U.S.A. MOLEX INCORPORATED LISLE, ILL. 60532 DRWG. NO. SDA-71061-*** DIV. DC SIZE C	
--------	--	-----------	--	--------	--	-----------	--	---	--	---	--	---	--

71061