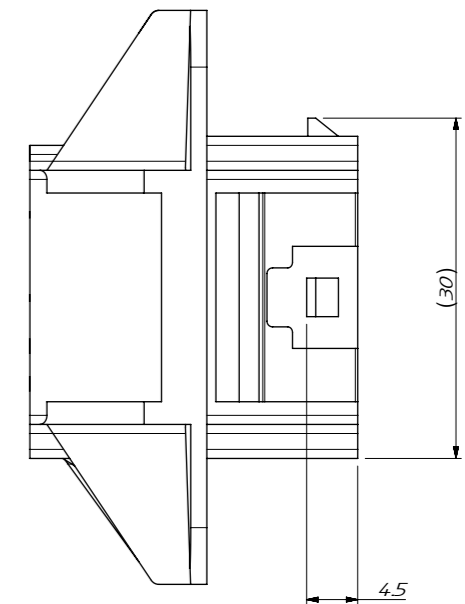
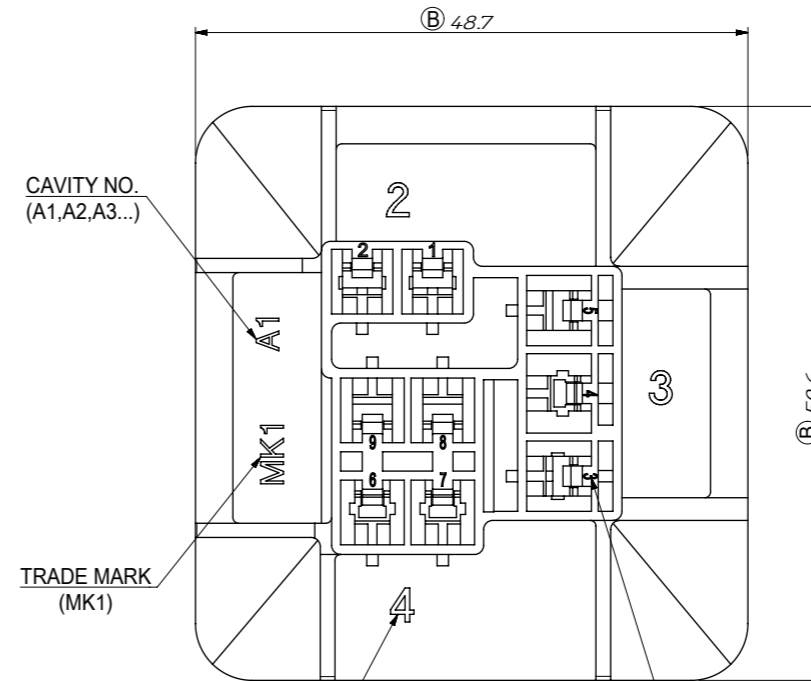
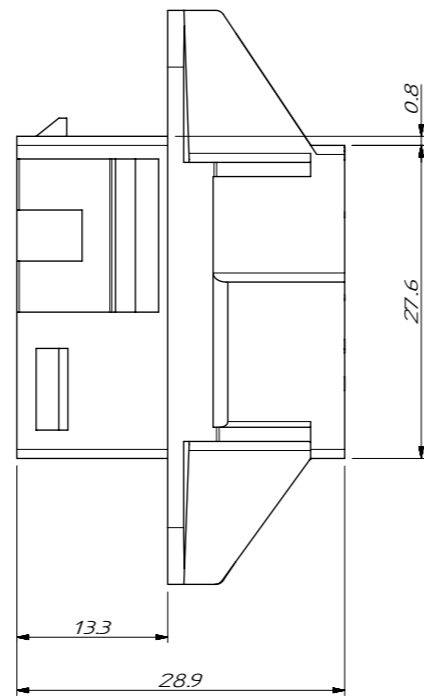
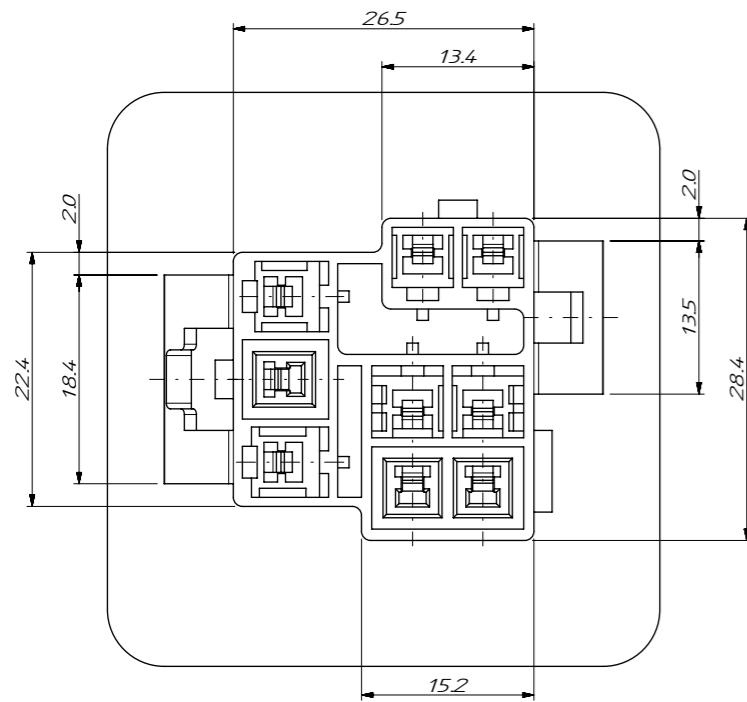


RECOMMENDED PANNEL DIMENSION  
 PANNEL(CHASSIS) THICKNESS : 1.5mm  
 (GENERAL TOLETANVE : ± 0.1mm)



2 3  
 MATED HSG & TPA  
 LOCATION MARKS (2,3,4)

4  
 CIRCUIT NO. (1,2,3...)  
 FOR APPLICABLE TERMINAL

NOTES.

1. MATERIAL : PET/PC, UL94V-0, UNFILLED G/F, COLOR : NATURAL  
 GLOW WIRE CAPABLE HAVING AN IEC GWIT RATING OF 760 DEGREEE C FOR THIS PRODUCT
2. MATED HOUSING : 35151-021\*\*219 (FOR 2CIRCUIT HOUSING)  
 35151-031\*\*319 (FOR 3CIRCUIT HOUSING)  
 35151-041\*\*419 (FOR 4CIRCUIT HOUSING)  
 MATED HOUSING ARE TO BE MATED ACCORDING TO LOCATION MARKS
3. MATED T.P.A. : 35150-029\* (2CIRCUIT TPA FOR 2 AND 4CIRCUIT HOUSING)  
 35150-039\* (3CIRCUITS TPA FOR 3CRICUIT HOUSING)  
 MATED TPA ARE TO BE MATED ACCORDING TO LOCATION MARKS.  
 (LOCATION MARK 4, 2X2CIRCUIT TPA ARE MATING)
4. APPLICABLE TERMINAL : 35745-0\*10 (1,2,3 CIRCUIT)  
 35746-0\*10 (4,6,7 CIRCUIT)  
 35747-0\*10 (5,8,9 CIRCUIT)  
 APPLICABLE TERMINAL ARE TO BE INSERTED ACCORDING TO CRICUIT NO.
5. CONNECTORS ARE NOT TO BE MATED OR UNMATED WHILE CIRCUITS ARE LIVE.

SYMBOLS		THIS DRAWING CONTAINS INFORMATION THAT IS PROPRIETARY TO MOLEX ELECTRONIC TECHNOLOGIES, LLC AND SHOULD NOT BE USED WITHOUT WRITTEN PERMISSION		CURRENT REV DESC:		molex		
DIMENSION UNITS	SCALE							
mm	1.5:1							
GENERAL TOLERANCES (UNLESS SPECIFIED)		EC NO: 616990				.070 MULTI W-T-W CONN.		
ANGULAR TOL ± 3.0°		DRWN: SCHONG03 2019/03/19				RECEPTACLE HOUSING -9P FULL FLANGE TYPE		
4 PLACES ±		CHK'D: JBJIN 2019/05/10				PRODUCT CUSTOMER DRAWING		
3 PLACES ±		APPR: JBJIN 2019/05/10				DOCUMENT NUMBER		
2 PLACES ± 0.25		INITIAL REVISION:				2026500909		
1 PLACE ± 0.35		DRWN: JSSHIN 2018/06/21				DOC TYPE		
0 PLACES ±		APPR: SHCHU 2018/08/31				PSD		
DRAFT WHERE APPLICABLE MUST REMAIN WITHIN DIMENSIONS		THIRD ANGLE PROJECTION		DRAWING		SERIES		REVISION
		A3-SIZE		202650		000		B
		MATERIAL NUMBER		CUSTOMER		SHEET NUMBER		
		2026500909		GENERAL MARKET		1 OF 1		

DOCUMENT STATUS	RELEASE DATE
-----------------	--------------