

NOTE: PC Board and PC Board Support Fixture Not Shown

Seating Tool Kit PN	Cage Assembly Configuration	Cage PN
2215047-1	QSFP28 1X1 THRU BEZEL w/GASKET, EMI SPRINGS, PCI HS, QUAD LP	4-2170754-1, 4-2170745-4, 4-2170754-7
2215047-2	QSFP28 1X2 THRU BEZEL w/GASKET, EMI SPRINGS, PCI HS, QUAD LP	4-2170814-1, 4-2170814-4
2215047-3	QSFP28 1X3 THRU BEZEL w/GASKET, EMI SPRINGS, PCI HS, QUAD LP	4-2170769-1, 4-2170769-4
2215047-4	QSFP28 1X4 THRU BEZEL w/GASKET, EMI SPRINGS, PCI HS, QUAD LP	4-2170785-1, 4-2170785-4
2215047-5	TBD	TBD
2215047-6	QSFP28 1X6 THRU BEZEL w/GASKET, EMI SPRINGS, PCI HS, QUAD LP	4-2170724-1, 4-2170724-4
2215047-7	QSFP28 1X1 THRU BEZEL w/GASKET, EMI SPRINGS, SAN HS, QUAD LP	4-2170754-2, 4-2170754-5, 4-2170754-8
2215047-8	QSFP28 1X2 THRU BEZEL w/GASKET, EMI SPRINGS, SAN HS, QUAD LP	4-2170814-2, 4-2170814-5
2215047-9	QSFP28 1X3 THRU BEZEL w/GASKET, EMI SPRINGS, SAN HS, QUAD LP	4-2170785-2, 4-2170785-5
1-2215047-0	QSFP28 1X4 THRU BEZEL w/GASKET, EMI SPRINGS, SAN HS, QUAD LP	4-2170785-2, 4-2170785-5
1-2215047-1	TBD	TBD
1-2215047-2	QSFP28 1X6 THRU BEZEL w/GASKET, EMI SPRINGS, SAN HS, QUAD LP	4-2170724-2, 4-2170724-5
1-2215047-3	QSFP28 1X1 THRU BEZEL w/GASKET, EMI SPRINGS, NET. HS, QUAD LP	4-2170754-3, 4-2170754-6, 4-2170754-9
1-2215047-4	QSFP28 1X2 THRU BEZEL w/GASKET, EMI SPRINGS, NET. HS, QUAD LP	4-2170814-3, 4-2170814-6
1-2215047-5	QSFP28 1X3 THRU BEZEL w/GASKET, EMI SPRINGS, NET. HS, QUAD LP	4-2170769-3, 4-2170769-6
1-2215047-6	QSFP28 1X4 THRU BEZEL w/GASKET, EMI SPRINGS, NET. HS, QUAD LP	4-2170785-3, 4-2170785-6
1-2215047-7	TBD	TBD
1-2215047-8	QSFP28 1X6 THRU BEZEL w/GASKET, EMI SPRINGS, NET. HS, QUAD LP	4-2170724-3, 4-2170724-6

Figure 1 (Continued)

Seating Tool Kit PN	Cage Assembly Configuration	Cage PN
1-2215047-9	QSFP28 1X1 THRU BEZEL, EMI SPRINGS, PCI HS, QUAD LP	4-2170705-1, 4-2170705-4, 4-2170705-7
2-2215047-0	QSFP28 1X2 THRU BEZEL, EMI SPRINGS, PCI HS, QUAD LP	4-2170808-1, 4-2170808-4
2-2215047-1	QSFP28 1X3 THRU BEZEL, EMI SPRINGS, PCI HS, QUAD LP	4-2170740-1, 4-2170740-4
2-2215047-2	QSFP28 1X4 THRU BEZEL, EMI SPRINGS, PCI HS, QUAD LP	4-2170747-1, 4-2170747-4
2-2215047-3	TBD	TBD
2-2215047-4	QSFP28 1X6 THRU BEZEL, EMI SPRINGS, PCI HS, QUAD LP	4-2170708-1, 4-2170708-4
2-2215047-5	QSFP28 1X1 THRU BEZEL, EMI SPRINGS, SAN HS, QUAD LP	4-2170705-2, 4-2170705-5, 2170705-8
2-2215047-6	QSFP28 1X2 THRU BEZEL, EMI SPRINGS, SAN HS, QUAD LP	4-2170808-2, 4-2170808-5
2-2215047-7	QSFP28 1X3 THRU BEZEL, EMI SPRINGS, SAN HS, QUAD LP	4-2170740-2, 4-2170740-5
2-2215047-8	QSFP28 1X4 THRU BEZEL, EMI SPRINGS, SAN HS, QUAD LP	4-2170747-2, 4-2170747-5
2-2215047-9	TBD	TBD
3-2215047-0	QSFP28 1X6 THRU BEZEL, EMI SPRINGS, SAN HS, QUAD LP	4-2170708-2, 4-2170708-5
3-2215047-1	QSFP28 1X1 THRU BEZEL, EMI SPRINGS, NET. HS, QUAD LP	4-2170705-3, 4-2170705-6, 4-2170705-9
3-2215047-2	QSFP28 1X2 THRU BEZEL, EMI SPRINGS, NET. HS, QUAD LP	4-2170808-3, 4-2170808-6
3-2215047-3	QSFP28 1X3 THRU BEZEL, EMI SPRINGS, NET. HS, QUAD LP	4-2170740-3, 4-2170740-6
3-2215047-4	QSFP28 1X4 THRU BEZEL, EMI SPRINGS, NET. HS, QUAD LP	4-2170747-3, 4-2170747-6
3-2215047-5	TBD	TBD
3-2215047-6	QSFP28 1X6 THRU BEZEL, EMI SPRINGS, NET. HS, QUAD LP	4-2170708-3, 4-2170708-6
3-2215047-7	QSFP28 1X1 THRU BEZEL, EMI SPRINGS, NET. HS, QUAD LP	5-2170705-1
3-2215047-8	QSFP28 1X3 THRU BEZEL, EMI SPRINGS, CUS. HS, QUAD LP	2302429-1
3-2215047-9	QSFP28 1X4 THRU BEZEL, EMI SPRINGS, NET. HS, EIGHT LP	2170793-1

Figure 1 (End)

1. INTRODUCTION

The QSFP28 Cage Assembly Seating Tool Kits (PN 2215047-[]) are used to seat the cage assemblies¹ listed in Figure 1 onto a pc board. Each cage assembly contains compliant pin contacts to allow solderless pc board installation.



NOTE

Read these instructions thoroughly before using the Seating Tool kit.



NOTE

Dimensions in this Instruction Sheet are in millimeters [with inches in brackets]. Illustrations are for reference only and are not drawn to scale.

2. DESCRIPTION

Each PN 2215047-[] Seating Tool Kit consists of a Seating Tool Assembly and a Wall Support.



NOTE

The Seating Tool and Wall Support can be purchased separately.

The Seating Tool has cutouts (two located on each side) to accept the protruding part of the standoffs of the cage assembly. The Wall Support fits into the ports of the cage assembly.

The top of the Seating Tool provides a surface to accept the force applied by the application tool to seat the cage assembly onto the pc board. During seating, the back and sides of the Seating Tool protect the cage assembly from damage; the Wall Support provides rigidity to the ports of the cage assembly.

¹ PN 2215047-[] seating tool kits are designed to seat ONLY the cage assemblies; NOT the connectors.

3. REQUIREMENTS

3.1. PC Board Support Fixture (Customer Supplied)

A pc board support fixture must be used under the pc board to provide proper support and protect the pc board, connector and cage assembly from damage. The support fixture must be designed for the specific application; using the following recommendations. The pc board support fixture:

- ◆ Should be at least 25.4 mm [1 in.] longer and wider than the pc board
- ◆ Should have flat surfaces with holes or a channel large enough and deep enough to receive any protruding components of the product(s).

3.2. APPLICATION TOOL

Power for the Seating Tool Kit must be provided by an application tool (with a ram) capable of supplying a downward force of 44.5 N [10 lb-force] per contact.



NOTE

For information on the application tool(s) available, contact *PRODUCT INFORMATION* at the phone number on page 1.



CAUTION

Over-driving of the cage assembly will deform parts critical to the quality of the connection. Maximum force occurs prior to bottoming of the cage assembly on the pc board.

4. SETUP

When setting up equipment to seat the cage assembly, pay particular attention to the following:

- ◆ The Seating Tool must be matched to the cage assembly.



CAUTION

If the Seating Tool and cage assembly are mismatched or are improperly aligned, damage could occur to the tooling, cage assembly, or both.

- ◆ Light pipes **MUST NOT** be assembled onto the cage assembly.
- ◆ The Wall Support must be properly installed, and the Seating Tool, cage assembly, and application tool ram must be properly aligned before cycling the application tool.

1. Set the *Tool Seating Height* to the dimension shown in Figure 2 (application *Tool Shut Height* will equal the *Tool Seating Height* + the combined thicknesses of the pc board and support fixture).



NOTE

Use the *Tool Seating Height* as a reference starting point. This height may need to be adjusted to obtain the amount allowed (maximum of 0.10 [.004]) between the standoffs of the cage assembly and the pc board.

2. Slide the Wall Support into the ports of the cage assembly until the Wall Support is secure.

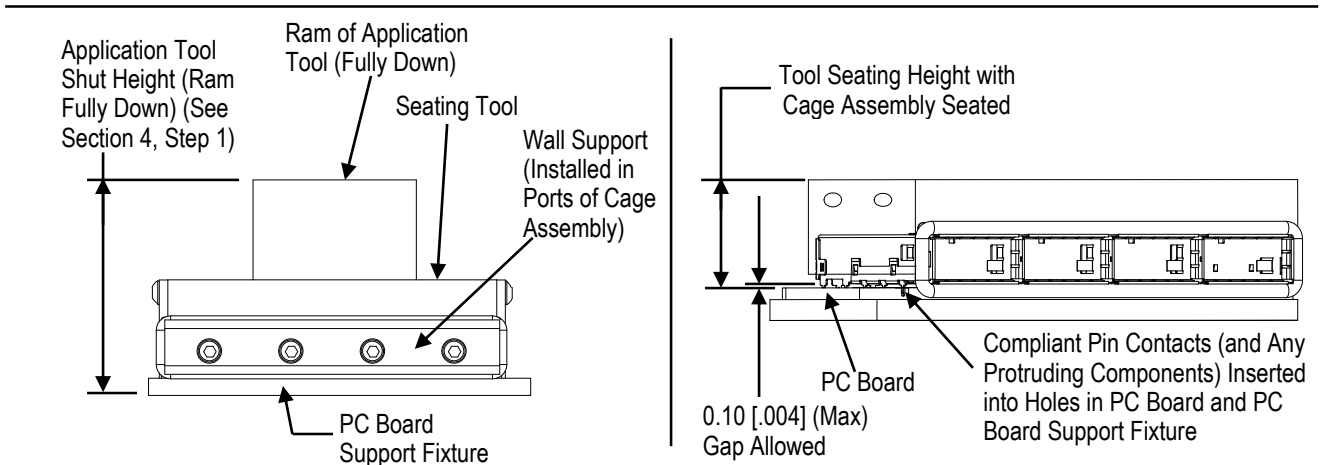


Figure 2

5. SEATING



NOTE

The connector must be mounted on the pc board **BEFORE** seating the cage assembly.

1. Place the pc board on the support fixture.
2. Orient the Seating Tool over the cage assembly so the back of the tool is aligned with the back of the cage assembly. Lower the Seating Tool onto the cage assembly (ensuring the cutouts slide over the protruding components of the cage assembly) until the Seating Tool bottoms on the top of the cage assembly.
3. Place the cage assembly on the pc board so the contacts and alignment posts are aligned and started into the matching holes in the pc board.
4. Center the Seating Tool (with the cage assembly) under the ram of the application tool. Slowly lower the ram until it just meets the Seating Tool. Verify alignment of pc board support fixture, pc board, cage assembly, and Seating Tool.



CAUTION

Damage to the pc board, Seating Tool, or cage assembly may occur if the Seating Tool is not properly seated on the cage assembly before cycling the application tool.

5. Cycle the application tool to seat the cage assembly onto the pc board. Retract the ram and carefully remove the Seating Tool by pulling it straight up from the cage assembly.
6. Check the cage assembly for proper seating according to the following:
 - a. The widest section of each compliant pin contact is inside its intended pc board hole.
 - b. Each alignment post is in its intended pc board hole.
 - c. If present, the gap between the standoffs and the pc board is not more than 0.10 [.004].



NOTE

For detailed application requirements of the cage assembly, refer to the applicable 114 Series Application Specification.

6. MAINTENANCE AND INSPECTION

The Seating Tool kit is assembled and inspected before shipment. It is recommended that the kit be inspected immediately upon arrival at the facility of use to ensure that it has not been damaged during shipment, and that it conforms to the dimensions provided in Figure 3.

Typical Seating Tool Kit; PN 2215047-[]

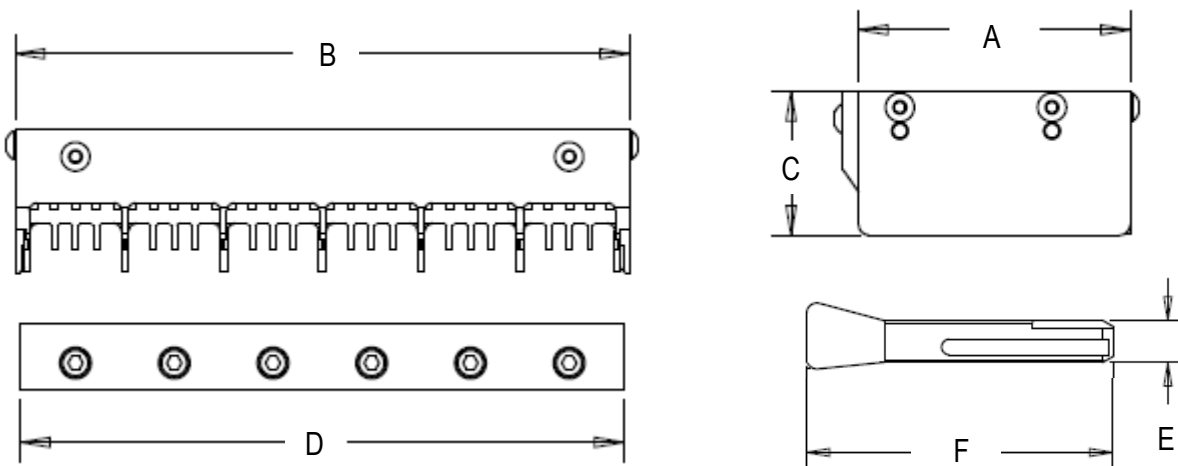


Figure 3 (Continued)

Cage Assembly Configuration		Seating Tool Kit Part Number	Dimension mm [inch]					
			A	B	C	D	E	F
1X1	QSFP28 Thru Bezel w/Gasket, EMI Springs, PCI HS, Quad LP	2215047-1	55.1 [2.17]	23.2 [.91]	27.5 [1.08]	21.0 [.83]	8.15 [.32]	54.2 [2.13]
1X2		2215047-2	55.1 [2.17]	42.2 [1.66]	27.5 [1.08]	40.0 [1.57]	8.15 [.32]	54.2 [2.13]
1X3		2215047-3	55.1 [2.17]	61.2 [2.41]	27.5 [1.08]	59.0 [2.32]	8.15 [.32]	54.2 [2.13]
1X4		2215047-4	55.1 [2.17]	80.2 [3.16]	27.5 [1.08]	78.0 [3.07]	8.15 [.32]	54.2 [2.13]
		TBD	2215047-5	55.1 [2.17]	99.2 [3.91]	27.5 [1.08]	97.0 [3.82]	8.15 [.32]
1X6	QSFP28 Thru Bezel w/Gasket, EMI Springs, PCI HS, Quad LP	2215047-6	55.1 [2.17]	118.2 [4.65]	27.5 [1.08]	116.0 [4.57]	8.15 [.32]	54.2 [2.13]
1X1	QSFP28 Thru Bezel w/Gasket, EMI Springs, San HS, Quad LP	2215047-7	55.1 [2.17]	23.2 [.91]	27.5 [1.08]	21.0 [.83]	8.15 [.32]	54.2 [2.13]
1X2		2215047-8	55.1 [2.17]	42.2 [1.66]	27.5 [1.08]	40.0 [1.57]	8.15 [.32]	54.2 [2.13]
1X3		2215047-9	55.1 [2.17]	61.2 [2.41]	27.5 [1.08]	59.0 [2.32]	8.15 [.32]	54.2 [2.13]
1X4		1-2215047-0	55.1 [2.17]	80.2 [3.16]	27.5 [1.08]	78.0 [3.07]	8.15 [.32]	54.2 [2.13]
		TBD	1-2215047-1	55.1 [2.17]	99.2 [3.91]	27.5 [1.08]	97.0 [3.82]	8.15 [.32]
1X6	QSFP28 Thru Bezel w/Gasket, EMI Springs, San HS, Quad LP	1-2215047-2	55.1 [2.17]	118.2 [4.65]	27.5 [1.08]	116.0 [4.57]	8.15 [.32]	54.2 [2.13]
1X1	QSFP28 Thru Bezel w/Gasket, EMI Springs, Net. HS, Quad LP	1-2215047-3	55.1 [2.17]	23.2 [.91]	33.5 [1.32]	21.0 [.83]	8.15 [.32]	54.2 [2.13]
1X2		1-2215047-4	55.1 [2.17]	42.2 [1.66]	33.5 [1.32]	40.0 [1.57]	8.15 [.32]	54.2 [2.13]
1X3		1-2215047-5	55.1 [2.17]	61.2 [2.41]	33.5 [1.32]	59.0 [2.32]	8.15 [.32]	54.2 [2.13]
1X4		1-2215047-6	55.1 [2.17]	80.2 [3.16]	33.5 [1.32]	78.0 [3.07]	8.15 [.32]	54.2 [2.13]
		TBD	1-2215047-7	55.1 [2.17]	99.2 [3.91]	33.5 [1.32]	97.0 [3.82]	8.15 [.32]
1X6	QSFP28 Thru Bezel w/Gasket, EMI Springs, Net. HS, Quad LP	1-2215047-8	55.1 [2.17]	118.2 [4.65]	33.5 [1.32]	116.0 [4.57]	8.15 [.32]	54.2 [2.13]
1X1	QSFP28 Thru Bezel, EMI Springs, PCI HS, Quad LP	1-2215047-9	55.1 [2.17]	23.2 [.91]	27.5 [1.08]	21.0 [.83]	8.15 [.32]	59.2 [2.33]
1X2		2-2215047-0	55.1 [2.17]	42.2 [1.66]	27.5 [1.08]	40.0 [1.57]	8.15 [.32]	59.2 [2.33]
1X3		2-2215047-1	55.1 [2.17]	61.2 [2.41]	27.5 [1.08]	59.0 [2.32]	8.15 [.32]	59.2 [2.33]
1X4		2-2215047-2	55.1 [2.17]	80.2 [3.16]	27.5 [1.08]	78.0 [3.07]	8.15 [.32]	59.2 [2.33]
		TBD	2-2215047-3	55.1 [2.17]	99.2 [3.91]	27.5 [1.08]	97.0 [3.82]	8.15 [.32]
1X6	QSFP28 Thru Bezel, EMI Springs, PCI HS, Quad LP	2-2215047-4	55.1 [2.17]	118.2 [4.65]	27.5 [1.08]	116.0 [4.57]	8.15 [.32]	59.2 [2.33]
1X1	QSFP28 Thru Bezel, EMI Springs, San HS, Quad LP	2-2215047-5	55.1 [2.17]	23.2 [.91]	27.5 [1.08]	21.0 [.83]	8.15 [.32]	59.2 [2.33]
1X2		2-2215047-6	55.1 [2.17]	42.2 [1.66]	27.5 [1.08]	40.0 [1.57]	8.15 [.32]	59.2 [2.33]
1X3		2-2215047-7	55.1 [2.17]	61.2 [2.41]	27.5 [1.08]	59.0 [2.32]	8.15 [.32]	59.2 [2.33]
1X4		2-2215047-8	55.1 [2.17]	80.2 [3.16]	27.5 [1.08]	78.0 [3.07]	8.15 [.32]	59.2 [2.33]
		TBD	2-2215047-9	55.1 [2.17]	99.2 [3.91]	27.5 [1.08]	97.0 [3.82]	8.15 [.32]
1X6	QSFP28 Thru Bezel, EMI Springs, San HS, Quad LP	3-2215047-0	55.1 [2.17]	118.2 [4.65]	27.5 [1.08]	116.0 [4.57]	8.15 [.32]	59.2 [2.33]
1X1	QSFP28 Thru Bezel, EMI Springs, Net. HS, Quad LP	3-2215047-1	55.1 [2.17]	23.2 [.91]	33.5 [1.32]	21.0 [.83]	8.15 [.32]	59.2 [2.33]
1X2		3-2215047-2	55.1 [2.17]	42.2 [1.66]	33.5 [1.32]	40.0 [1.57]	8.15 [.32]	59.2 [2.33]
1X3		3-2215047-3	55.1 [2.17]	61.2 [2.41]	33.5 [1.32]	59.0 [2.32]	8.15 [.32]	59.2 [2.33]
1X4		3-2215047-4	55.1 [2.17]	80.2 [3.16]	33.5 [1.32]	78.0 [3.07]	8.15 [.32]	59.2 [2.33]
		TBD	3-2215047-5	55.1 [2.17]	99.2 [3.91]	33.5 [1.32]	97.0 [3.82]	8.15 [.32]
1X6	QSFP28 Thru Bezel, EMI Springs, Net. HS, Quad LP	3-2215047-6	55.1 [2.17]	118.2 [4.65]	33.5 [1.32]	116.0 [4.57]	8.15 [.32]	59.2 [2.33]
1X1	QSFP28 Thru Bezel, EMI Springs, Net. HS, Quad LP	3-2215047-7	55.1 [2.17]	23.2 [.91]	42.1 [1.66]	21.0 [.83]	8.15 [.32]	59.2 [2.33]
1X3	QSFP28 Thru Bezel, EMI Springs, Cus. HS, Quad LP	3-2215047-8	55.1 [2.17]	61.2 [2.41]	30.5 [1.20]	59.0 [2.32]	8.15 [.32]	59.2 [2.33]
1X4	QSFP28 Thru Bezel, EMI Springs, Net. HS, Eight LP	3-2215047-9	55.1 [2.17]	80.2 [3.16]	33.5 [1.32]	78.0 [3.07]	8.15 [.32]	59.2 [2.33]

Figure 3 (End)

6.1. Daily Maintenance

It is recommended that each operator be made aware of, and responsible for, the following steps of daily maintenance:

1. Remove dust, moisture, and contaminants with a clean, soft brush or a lint-free cloth. DO NOT use objects that could damage the Seating Tool Kit components.
2. When the Seating Tool and Wall Support are not in use, store in a clean, dry area.

6.2. Periodic Inspection

Regular inspections should be performed by quality control personnel. A record of scheduled inspections should remain with the Seating Tool kit or be supplied to personnel responsible for the kit. Inspection frequency should be based on amount of use, working conditions, operator training and skill, and established standards.

7. REPLACEMENT AND REPAIR

Customer-replaceable parts are listed in Figure 4. A complete inventory should be stocked and controlled to prevent lost time when replacement of parts is necessary. Parts other than those listed should be replaced by TE Connectivity to ensure quality and reliability. Order replacement parts through your TE Representative, or call 1-800-526-5142, or send a facsimile of your purchase order to 717-986-7605, or write to:

CUSTOMER SERVICE (038-035)
 TE CONNECTIVITY CORPORATION
 PO BOX 3608
 HARRISBURG PA 17105-3608

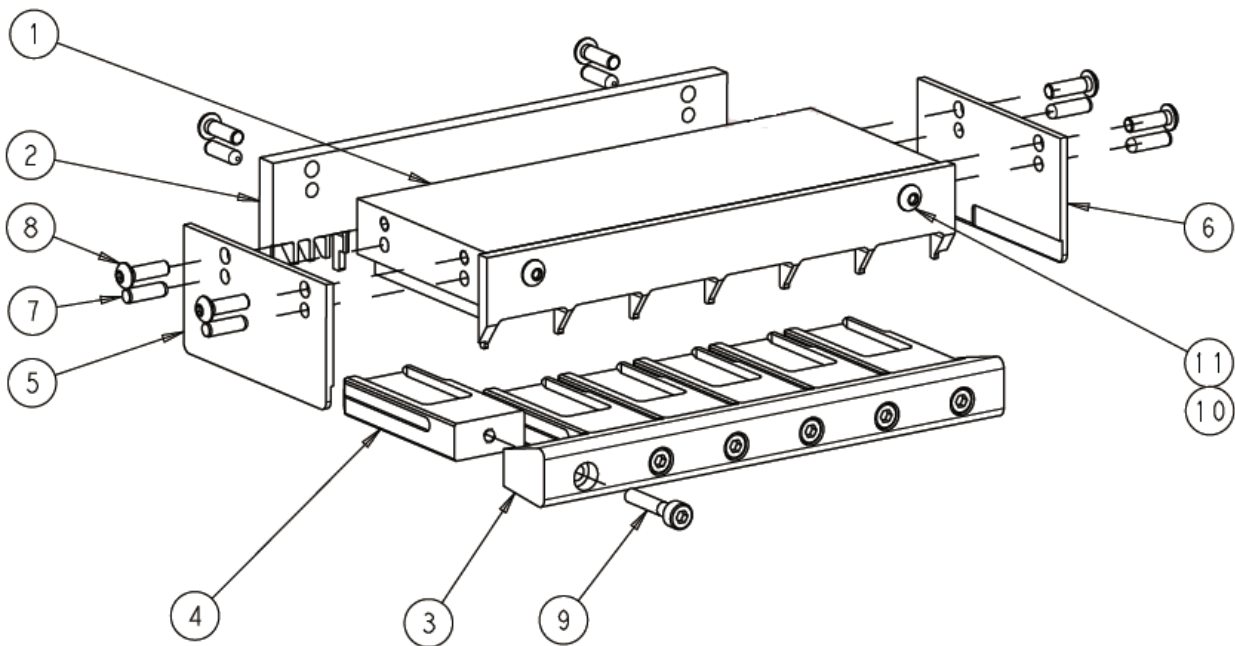


Figure 4 (Continued)

PART NUMBER	CENTER BLOCK ①		REAR PLATE ②		SUPPORT BAR ③		WALL SUPPORT ④		L-SIDE PLATE ⑤	
	PN	QTY	PN	QTY	PN	QTY	PN	QTY	PN	QTY
2215047-1	1-2215531-1	1	2215535-1	1	2215456-6	1	2215454-3	1	2215533-2	1
2215047-2	1-2215531-2	1	2-2215532-2	1	2215456-5	1	2215454-1	2	2215533-1	1
2215047-3	1-2215531-3	1	2-2215532-3	1	2215456-2	1	2215454-1	3	2215533-1	1
2215047-4	1-2215531-4	1	2-2215532-4	1	2215456-3	1	2215454-1	4	2215533-1	1
2215047-5	1-2215531-5	1	2-2215532-5	1	2215456-4	1	2215454-1	5	2215533-1	1
2215047-6	1-2215531-6	1	2-2215532-6	1	2215456-1	1	2215454-1	6	2215533-1	1
2215047-7	2-2215531-1	1	2215535-1	1	2215456-6	1	2215454-3	1	2215533-2	1
2215047-8	2-2215531-2	1	2-2215532-2	1	2215456-5	1	2215454-1	2	2215533-1	1
2215047-9	2-2215531-3	1	2-2215532-3	1	2215456-2	1	2215454-1	3	2215533-1	1
1-2215047-0	2-2215531-4	1	2-2215532-4	1	2215456-3	1	2215454-1	4	2215533-1	1
1-2215047-1	2-2215531-5	1	2-2215532-5	1	2215456-4	1	2215454-1	5	2215533-1	1
1-2215047-2	2-2215531-6	1	2-2215532-6	1	2215456-1	1	2215454-1	6	2215533-1	1
1-2215047-3	3-2215531-1	1	1-2215535-1	1	2215456-6	1	2215454-3	1	1-2215533-2	1
1-2215047-4	3-2215531-2	1	7-2215532-2	1	2215456-5	1	2215454-1	2	1-2215533-1	1
1-2215047-5	3-2215531-3	1	7-2215532-3	1	2215456-2	1	2215454-1	3	1-2215533-1	1
1-2215047-6	3-2215531-4	1	7-2215532-4	1	2215456-3	1	2215454-1	4	1-2215533-1	1
1-2215047-7	3-2215531-5	1	7-2215532-5	1	2215456-4	1	2215454-1	5	1-2215533-1	1
1-2215047-8	3-2215531-6	1	7-2215532-6	1	2215456-1	1	2215454-1	6	1-2215533-1	1
1-2215047-9	1-2215531-1	1	2215535-1	1	2215456-6	1	2215454-4	1	2215533-2	1
2-2215047-0	1-2215531-2	1	2-2215532-2	1	2215456-5	1	2215454-2	2	2215533-1	1
2-2215047-1	1-2215531-3	1	2-2215532-3	1	2215456-2	1	2215454-2	3	2215533-1	1
2-2215047-2	1-2215531-4	1	2-2215532-4	1	2215456-3	1	2215454-2	4	2215533-1	1
2-2215047-3	1-2215531-5	1	2-2215532-5	1	2215456-4	1	2215454-2	5	2215533-1	1
2-2215047-4	1-2215531-6	1	2-2215532-6	1	2215456-1	1	2215454-2	6	2215533-1	1
2-2215047-5	2-2215531-1	1	2215535-1	1	2215456-6	1	2215454-4	1	2215533-2	1
2-2215047-6	2-2215531-2	1	2-2215532-2	1	2215456-5	1	2215454-2	2	2215533-1	1
2-2215047-7	2-2215531-3	1	2-2215532-3	1	2215456-2	1	2215454-2	3	2215533-1	1
2-2215047-8	2-2215531-4	1	2-2215532-4	1	2215456-3	1	2215454-2	4	2215533-1	1
2-2215047-9	2-2215531-5	1	2-2215532-5	1	2215456-4	1	2215454-2	5	2215533-1	1
3-2215047-0	2-2215531-6	1	2-2215532-6	1	2215456-1	1	2215454-2	6	2215533-1	1
3-2215047-1	3-2215531-1	1	1-2215535-1	1	2215456-6	1	2215454-4	1	1-2215533-2	1
3-2215047-2	3-2215531-2	1	7-2215532-2	1	2215456-5	1	2215454-2	2	1-2215533-1	1
3-2215047-3	3-2215531-3	1	7-2215532-3	1	2215456-2	1	2215454-2	3	1-2215533-1	1
3-2215047-4	3-2215531-4	1	7-2215532-4	1	2215456-3	1	2215454-2	4	1-2215533-1	1
3-2215047-5	3-2215531-5	1	7-2215532-5	1	2215456-4	1	2215454-2	5	1-2215533-1	1
3-2215047-6	3-2215531-6	1	7-2215532-6	1	2215456-1	1	2215454-2	6	1-2215533-1	1
3-2215047-7	3-2215531-1	1	2-2215535-1	1	2215456-6	1	2215454-4	1	2-2215533-2	1
3-2215047-8	3-2215531-3	1	7-2215532-7	1	2215456-2	1	2215454-2	3	2-2215533-3	1
3-2215047-9	3-2215531-7	1	7-2215532-8	1	2215456-3	1	2215454-2	4	1-2215533-1	1

Figure 4 (Continued)

PART NUMBER	R-SIDE PLATE (6)		DOWEL PIN 3X10 (7)		SCR, BTN M3 X 10 (8)		SCR, SKT M3 X 16 (9)		FRONT PLATE (10)		SCR, BTN M3 X 8 (11)	
	PN	QTY	PN	QTY	PN	QTY	PN	QTY	PN	QTY	PN	QTY
2215047-1	2215534-2	1	1-992946-5	5	18024-3	5	18023-6	1	2215944-1	1	18024-2	2
2215047-2	2215534-1	1	1-992946-5	6	18024-3	6	18023-6	2	2215944-2	1	18024-2	2
2215047-3	2215534-1	1	1-992946-5	6	18024-3	6	18023-6	3	2215944-3	1	18024-2	2
2215047-4	2215534-1	1	1-992946-5	6	18024-3	6	18023-6	4	2215944-4	1	18024-2	2
2215047-5	2215534-1	1	1-992946-5	6	18024-3	6	18023-6	5	2215944-5	1	18024-2	2
2215047-6	2215534-1	1	1-992946-5	6	18024-3	6	18023-6	6	2215944-6	1	18024-2	2
2215047-7	2215534-2	1	1-992946-5	5	18024-3	5	18023-6	1	2215944-1	1	18024-2	2
2215047-8	2215534-1	1	1-992946-5	6	18024-3	6	18023-6	2	2215944-2	1	18024-2	2
2215047-9	2215534-1	1	1-992946-5	6	18024-3	6	18023-6	3	2215944-3	1	18024-2	2
1-2215047-0	2215534-1	1	1-992946-5	6	18024-3	6	18023-6	4	2215944-4	1	18024-2	2
1-2215047-1	2215534-1	1	1-992946-5	6	18024-3	6	18023-6	5	2215944-5	1	18024-2	2
1-2215047-2	2215534-1	1	1-992946-5	6	18024-3	6	18023-6	6	2215944-6	1	18024-2	2
1-2215047-3	1-2215534-2	1	1-992946-5	5	18024-3	5	18023-6	1	1-2215944-1	1	18024-2	2
1-2215047-4	1-2215534-1	1	1-992946-5	6	18024-3	6	18023-6	2	1-2215944-2	1	18024-2	2
1-2215047-5	1-2215534-1	1	1-992946-5	6	18024-3	6	18023-6	3	1-2215944-3	1	18024-2	2
1-2215047-6	1-2215534-1	1	1-992946-5	6	18024-3	6	18023-6	4	1-2215944-4	1	18024-2	2
1-2215047-7	1-2215534-1	1	1-992946-5	6	18024-3	6	18023-6	5	1-2215944-5	1	18024-2	2
1-2215047-8	1-2215534-1	1	1-992946-5	6	18024-3	6	18023-6	6	1-2215944-6	1	18024-2	2
1-2215047-9	2215534-2	1	1-992946-5	5	18024-3	5	18023-6	1	2215944-1	1	18024-2	2
2-2215047-0	2215534-1	1	1-992946-5	6	18024-3	6	18023-6	2	2215944-2	1	18024-2	2
2-2215047-1	2215534-1	1	1-992946-5	6	18024-3	6	18023-6	3	2215944-3	1	18024-2	2
2-2215047-2	2215534-1	1	1-992946-5	6	18024-3	6	18023-6	4	2215944-4	1	18024-2	2
2-2215047-3	2215534-1	1	1-992946-5	6	18024-3	6	18023-6	5	2215944-5	1	18024-2	2
2-2215047-4	2215534-1	1	1-992946-5	6	18024-3	6	18023-6	6	2215944-6	1	18024-2	2
2-2215047-5	2215534-2	1	1-992946-5	5	18024-3	5	18023-6	1	2215944-1	1	18024-2	2
2-2215047-6	2215534-1	1	1-992946-5	6	18024-3	6	18023-6	2	2215944-2	1	18024-2	2
2-2215047-7	2215534-1	1	1-992946-5	6	18024-3	6	18023-6	3	2215944-3	1	18024-2	2
2-2215047-8	2215534-1	1	1-992946-5	6	18024-3	6	18023-6	4	2215944-4	1	18024-2	2
2-2215047-9	2215534-1	1	1-992946-5	6	18024-3	6	18023-6	5	2215944-5	1	18024-2	2
3-2215047-0	2215534-1	1	1-992946-5	6	18024-3	6	18023-6	6	2215944-6	1	18024-2	2
3-2215047-1	1-2215534-2	1	1-992946-5	5	18024-3	5	18023-6	1	1-2215944-1	1	18024-2	2
3-2215047-2	1-2215534-1	1	1-992946-5	6	18024-3	6	18023-6	2	1-2215944-2	1	18024-2	2
3-2215047-3	1-2215534-1	1	1-992946-5	6	18024-3	6	18023-6	3	1-2215944-3	1	18024-2	2
3-2215047-4	1-2215534-1	1	1-992946-5	6	18024-3	6	18023-6	4	1-2215944-4	1	18024-2	2
3-2215047-5	1-2215534-1	1	1-992946-5	6	18024-3	6	18023-6	5	1-2215944-5	1	18024-2	2
3-2215047-6	1-2215534-1	1	1-992946-5	6	18024-3	6	18023-6	6	1-2215944-6	1	18024-2	2
3-2215047-7	2-2215534-2	1	1-992946-5	5	18024-3	5	18023-6	1	2-2215944-1	1	18024-2	2
3-2215047-8	2-2215534-3	1	1-992946-5	6	18024-3	6	18023-6	3	4-2215944-1	1	18024-2	2
3-2215047-9	1-2215534-1	1	1-992946-5	6	18024-3	6	18023-6	4	4-2215944-2	1	18024-2	2

Figure 4 (End)

8. REVISION SUMMARY

- ◆ Initial release of document