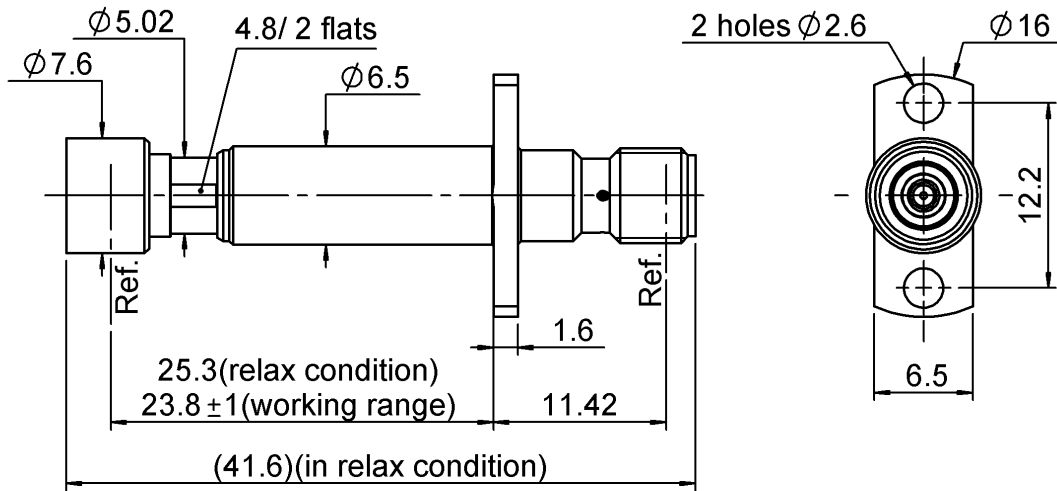
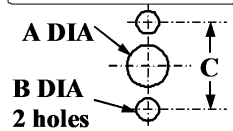


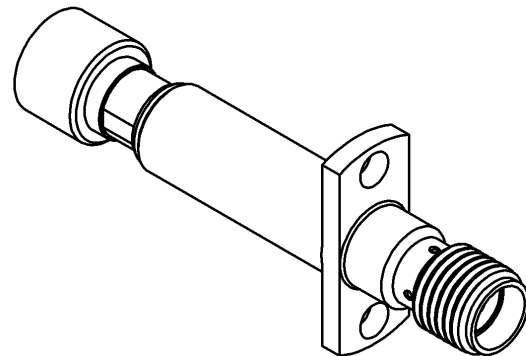
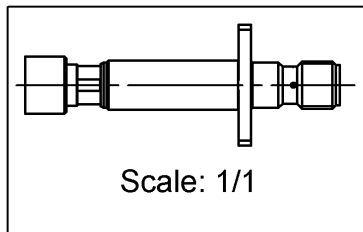
PAGE 1/3	ISSUE 1344A	SERIES ADAPT	PART NUMBER R191300800
----------	-------------	--------------	------------------------



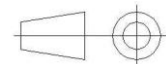
PANEL CUT OUT



	mm	
	Maxi	mini
A	7.7	7.65
B	2.7	2.6
C	12.25	12.15



All dimensions are in mm.



COMPONENTS	MATERIALS	PLATING (µm)
Body	BRASS	GOLD OVER NICKEL, NPGR
Center contact	BERYLLIUM COPPER, BRASS	GOLD OVER NICKEL, NPGR
Outer contact		
Insulator	PTFE	
Gasket		
Others parts	STAINLESS STEEL	
-	-	-
-	-	-

PAGE 2/3	ISSUE 1344A	SERIES ADAPT	PART NUMBER R191300800
-----------------	--------------------	---------------------	-------------------------------

PACKAGING

Standard	Unit	Other
1	Contact us	Contact us

ELECTRICAL CHARACTERISTICS

Impedance		50	Ω
Frequency		0-15	GHz
VSWR	1.05	+	0.045 x F(GHz) Maxi
Insertion loss		0.15*	\sqrt{F} (GHz) dB Maxi
RF leakage		NA	- F(GHz) dB Maxi
Voltage rating		NA	Veff Maxi
Dielectric withstanding voltage		NA	Veff mini
Insulation resistance		5000	M Ω mini

ENVIRONMENTAL

Operating	-40/+80	$^{\circ}\text{C}$
Hermetic seal	NA	Atm.cm3/s
Panel leakage	NA	

MECHANICAL CHARACTERISTICS

Center contact retention			
Axial force – Mating End		NA**	N mini
Axial force – Opposite end		NA	N mini
Torque		NA	N.cm mini

SPECIFICATION

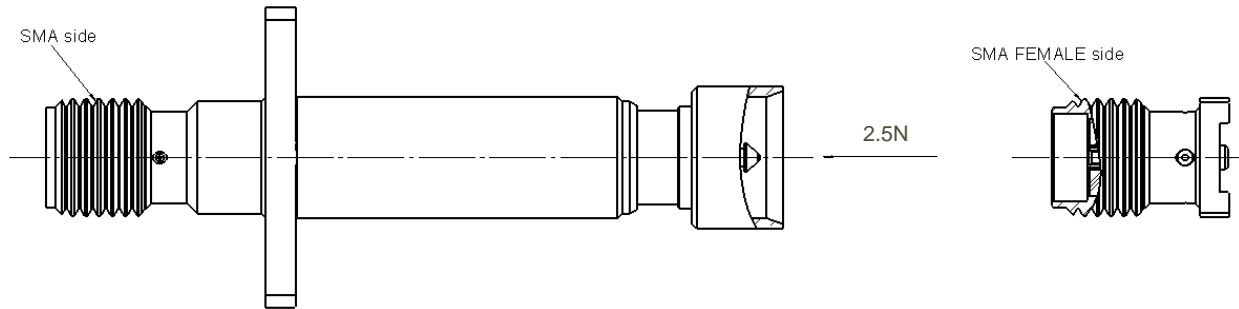
OTHER CHARACTERISTICS

***Coaxial Transmission Line Only**
****Action mating force for the spring : 6N max**

Recommended torque			
Mating		0	N.cm
		0	N.cm
		0	N.cm
Panel nut			N.cm
Mating life	100000		Cycles mini
Weight	7.000		g

PAGE 3/3	ISSUE 1344A	SERIES ADAPT	PART NUMBER R191300800
----------	-------------	--------------	------------------------

INSTRUCTION FOR USE



1. Connect the SMA side of the adapter with the measurement test equipment.
2. Mate the SMA connector with the adapter by pushing the SMA connector with a minimum force of 2.5N.