

## Technical Characteristics

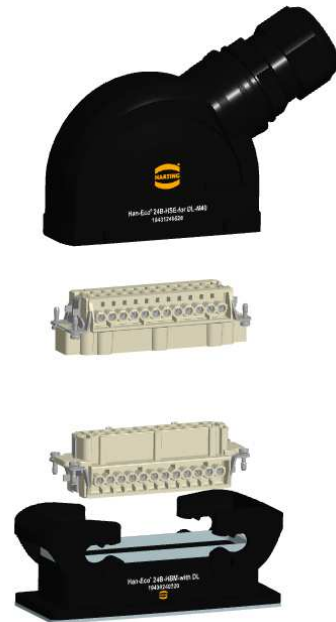
### Part Number

#### Han 24B ECO Rear-Mount Kit

Hood	Angled Entry
Housing	Double Lever Bulkhead
Material	Polyamide Plastic
IP / NEMA	IP65 / 4, 4x, 12
Temp Rating	-40 to +125C
Cable Gland	M40 Plastic
Cable Diameter	16 – 28mm
Insert	Han 24E, 24+GND
Screw Terminals	18-14AWG
Wire Stripping Length	7.5mm
Mating Cycles	>500
Flammability	V-0

**73 10 100 0004**

**UL508**

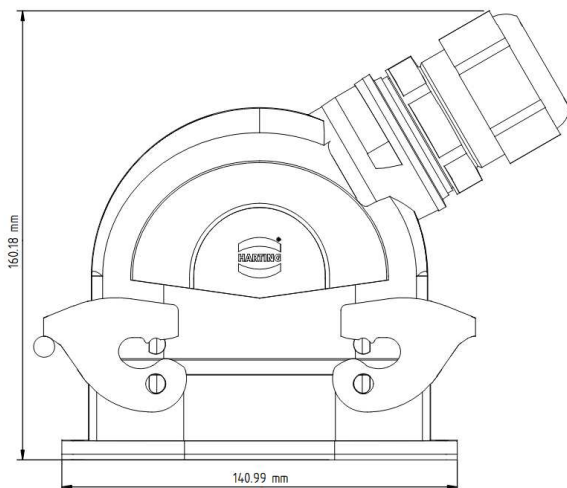


#### Electrical Characteristics

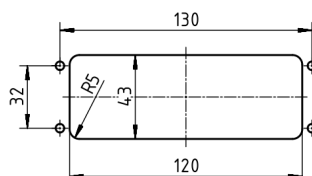
Rated Current	16amps
Rated Voltage	600V
Rated Impulse Voltage	6kV

## Drawings and Assembly Information

Dimensions in mm



panel cut out  
for assembly from  
the inner side of cabinet



#### Tooling and Torque Values

Type	Tool	Torque (Nm)
Terminal Screws (M3)	PH1 or Slotted 0.6 x 3.5	0.50
Fixing Screw (M3)	PH2 or Slotted 0.6 x 3.5	0.50
Mounting Screws (M4 recommended)	-	0.8...1.0
Cable Gland (M40)	SW46	20

#### Kit Contents

Male Insert	09 33 024 2601
Female insert	09 33 024 2701
Housing	19 43 024 0320
Hood & Gland	19 43 124 0528

For further information, please reach out to [techsupportUS@HARTING.com](mailto:techsupportUS@HARTING.com)