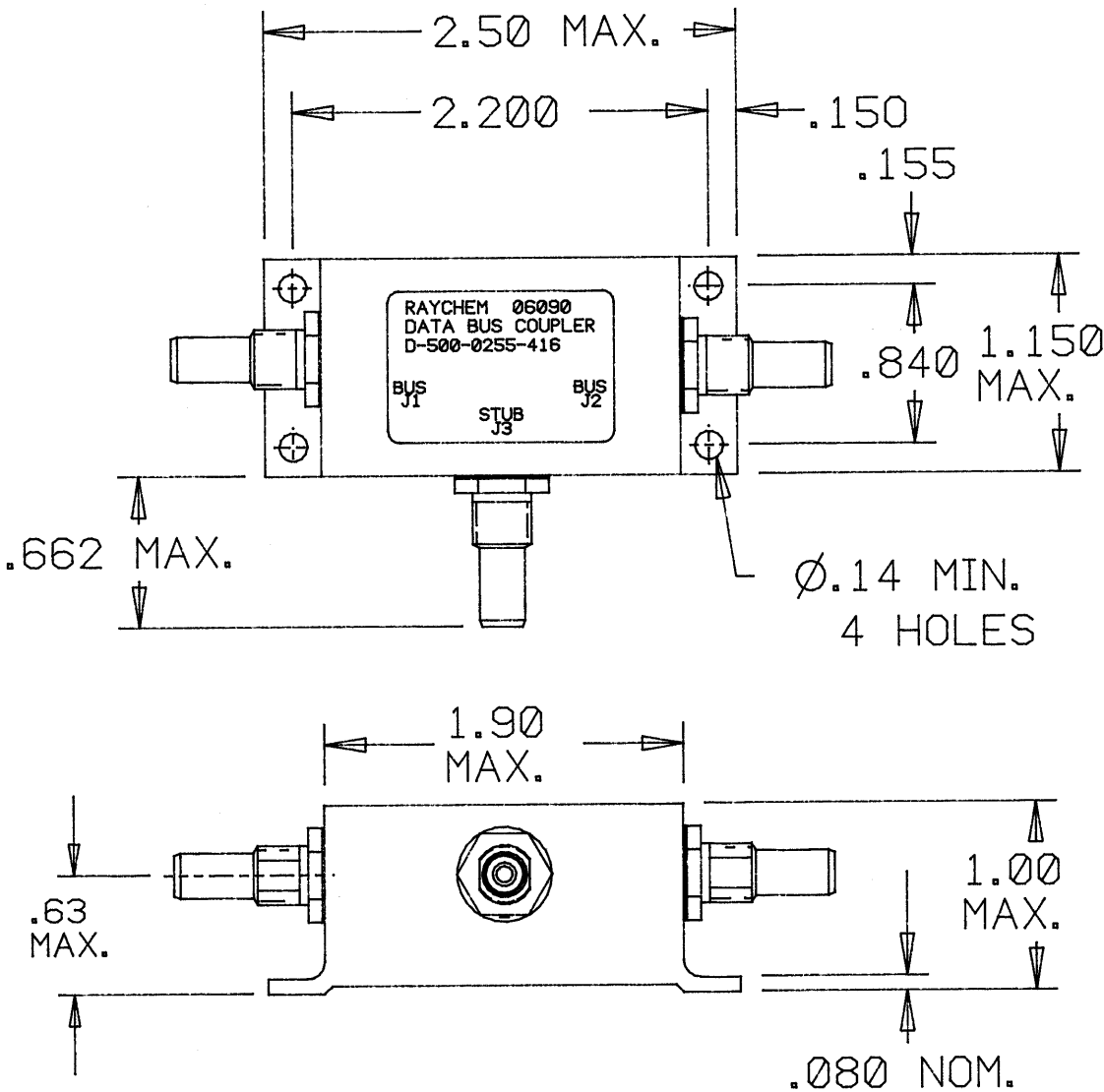


REVISIONS			
LTR	DESCRIPTION	DATE	APPROVED
N/C	RELEASED PER E.C.N. T-7715	2/12/87	<i>[Signature]</i>



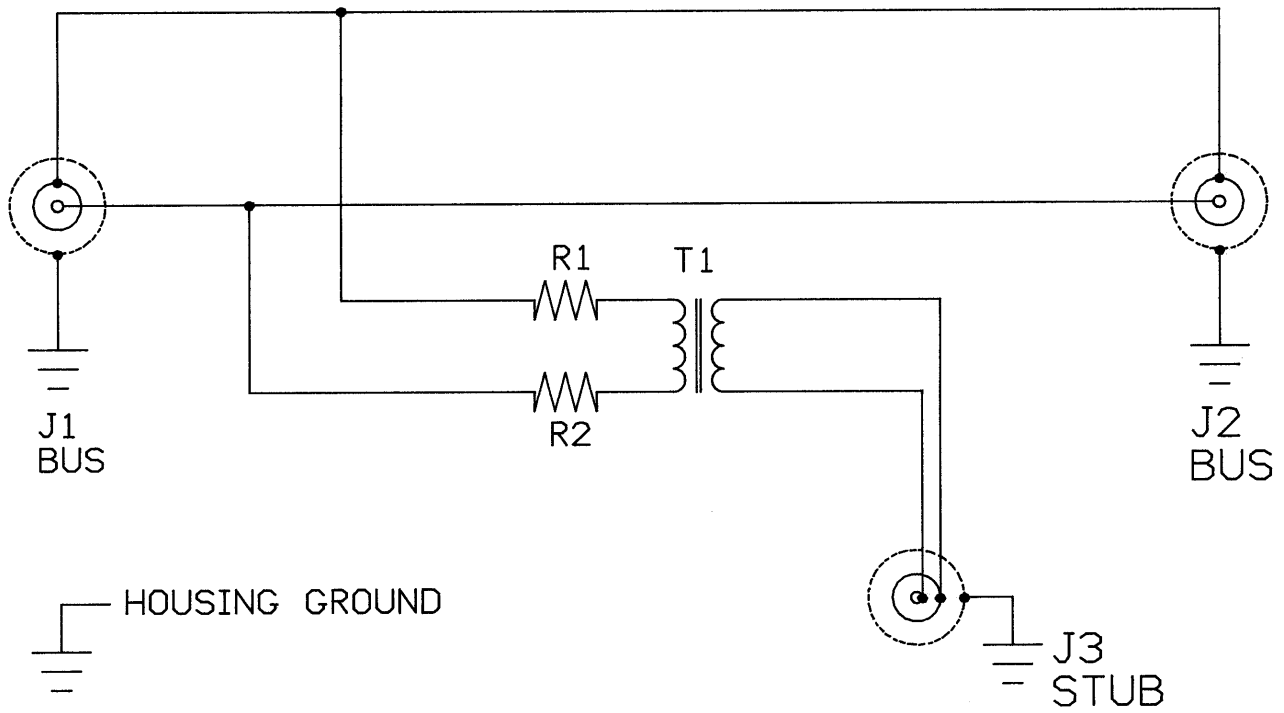
If this document is printed it becomes uncontrolled.
Check with the web for latest revision.

SPECIFICATION CONTROL DRAWING

UNLESS OTHERWISE SPECIFIED DIMENSIONS ARE IN INCHES. METRIC DIMENSIONS ARE IN BRACKETS. DECIMALS .XXX ± .010 { mm } .XX ± .03 { mm } ANGLES .X ± WEIGHT TBD lbs { g }	DRAWN	terry	1-22-87	<div style="font-size: 2em; opacity: 0.5; position: absolute; top: 50%; left: 50%; transform: translate(-50%, -50%); pointer-events: none;"> OBSOLETE NOT THE LATEST REVISION </div> <div style="font-size: 1.5em; font-weight: bold; margin-top: 10px;"> Raychem </div>	RAYCHEM CORPORATION 300 CONSTITUTION DRIVE MENLO PARK, CALIFORNIA 94025		
	CHECKED				TITLE	DATA BUS COUPLER WITH THREADED CONNECTORS	
	APPROVED	<i>[Signature]</i>					
	APPROVED						
CAD NAME TAJ E:\SCD\824923S1				SIZE	CODE IDENT. NO.	DWG. NO.	REV
THIRD ANGLE PROJECTION				A	06090	D-500-0255-416N/C	N/C
						SHEET 1 OF 2	

- 1.0 INTERMATEABILITY
- 1.1 J1 AND J2 (WITH D-602-0126 CONTACT INSTALLED) WILL MATE WITH DK-621-0411 PLUG (WITH D-602-0127 CONTACT INSTALLED).
- 1.2 J3 (WITH D-602-0127 CONTACT INSTALLED) WILL MATE WITH DK-621-0411 PLUG (WITH D-602-0126 CONTACT INSTALLED).
- 2.0 PERFORMANCE
- 2.1 THIS COUPLER IS DESIGNED TO MEET THE APPLICABLE FUNCTIONAL REQUIREMENTS OF RAYCHEM SPECIFICATION D-6020. QUALIFICATION PENDING.
- 2.2 OPERATING TEMPERATURE: -55° TO +110° C.
- 2.3 SALT SPRAY CORROSION RESISTANCE: PER MIL-STD-1344 , METHOD 1001.1 CONDITION C.
- 2.4 ALTITUDE: SEA LEVEL TO 50,000 FEET.

SCHEMATIC DIAGRAM



If this document is printed it becomes uncontrolled.
Check with the web for latest revision.

CAD NAME TAJ E:\SCD\824923S2

DRAWN	terry	1-22-87	SIZE	CODE IDENT. NO.	DWG. NO.	REV
ISSUED			A	06090	D-500-0255-416	N/C
DO NOT SCALE THIS DRAWING					SHEET 2 OF 2	