

LC DUPLEX APC SINGLEMODE ADAPTOR  
ZIRCONIA ALIGNMENT SLEEVE

Packaging  
100

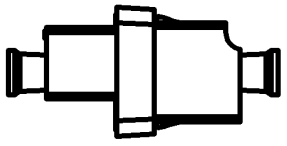
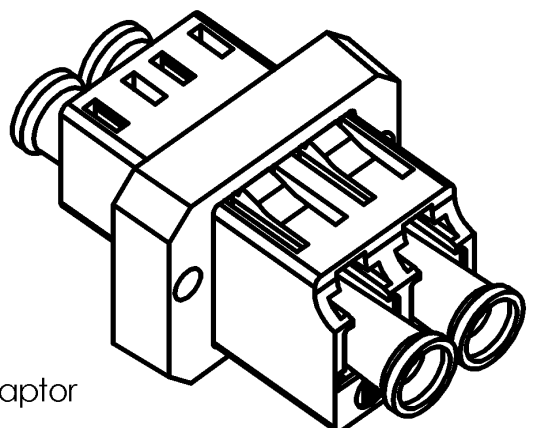
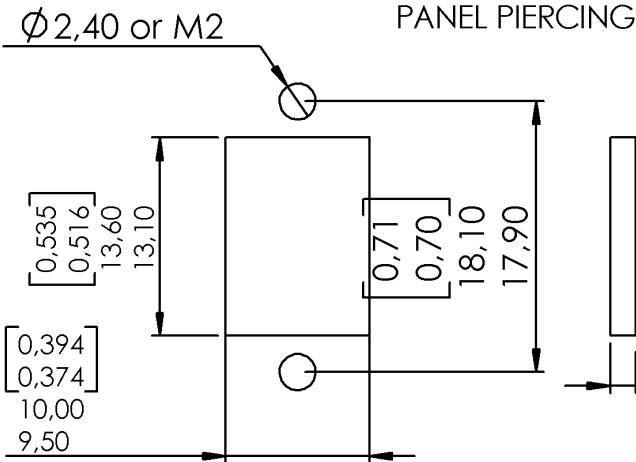
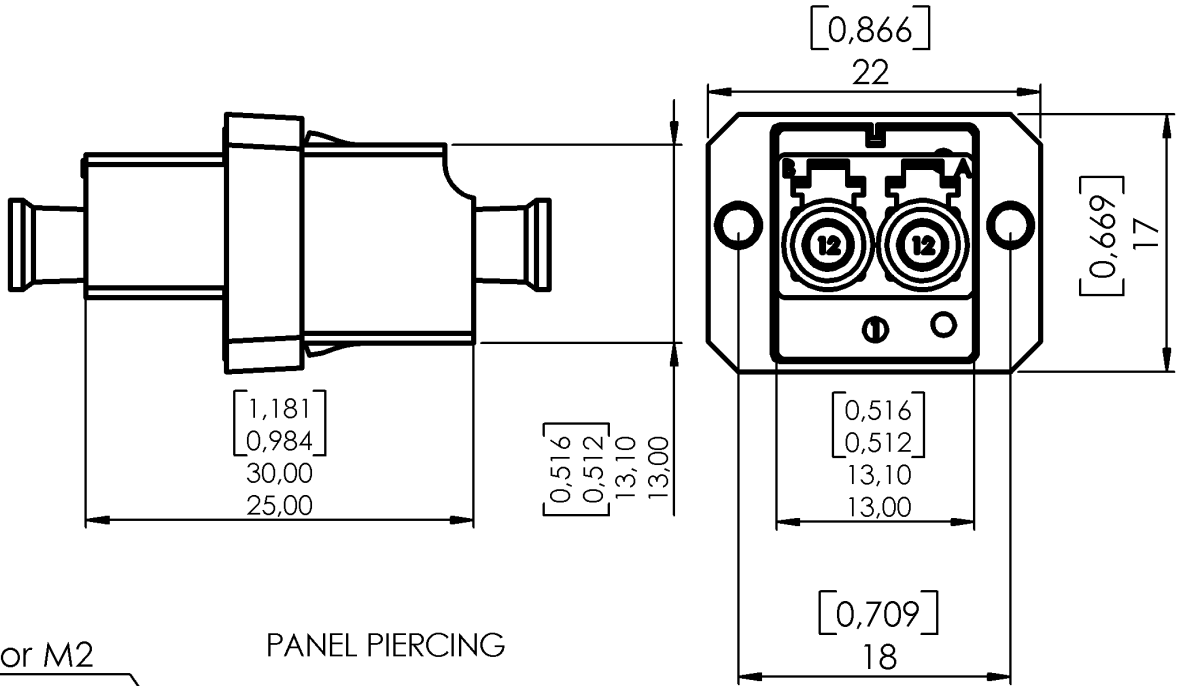
Series  
LC

Issue  
12/03/03

Page  
1 / 2

Adaptor : color GREEN

Duplex



Scale : 1/1

- Contents :
- Low profile duplex adaptor
  - Receptacle dust cap
  - Sleeve

Original dimensions in mm [inch]

LC DUPLEX APC SINGLEMODE ADAPTOR  
ZIRCONIA ALIGNMENT SLEEVE

Packaging  
100

Series  
LC

Issue  
12/03/03

Page  
2 / 2

Adaptor : color GREEN

Duplex

**GENERAL**

- ❑ **TYPE** IEC 61754-20 (LC )  
Receptacle color : GREEN
- ❑ **MOUNTING** SC panel cut-out screw in  
Max. panel thickness 1.7 mm
- ❑ **ALIGNMENT SLEEVE** Zirconia

**CHARACTERISTICS (Depending on fibre or cable construction)**

- ❑ **MATERIAL** Plastic moulded : Material in accordance with TELCORDIA GR-326 CORE  
flammability V0 (UL 94)
- ❑ **MECHANICAL** Durability 200 cycles  
Plug Retention 68 N
- ❑ **ENVIRONMENTAL** Storage temperature range -40 °C to +85 °C  
Operating temperature range -40 °C to +70 °C
- ❑ **PROOF TEST** Straight pull 68 N  
Side pull 23 N
- ❑ **VIBRATION TEST** 10 to 55 Hz, 1,5 mm (peak to peak), 2 Hr/axis

*(Performance and specification : see document GEN - F727 001)*