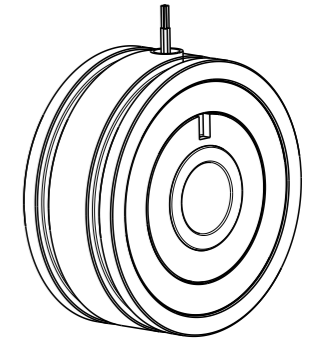
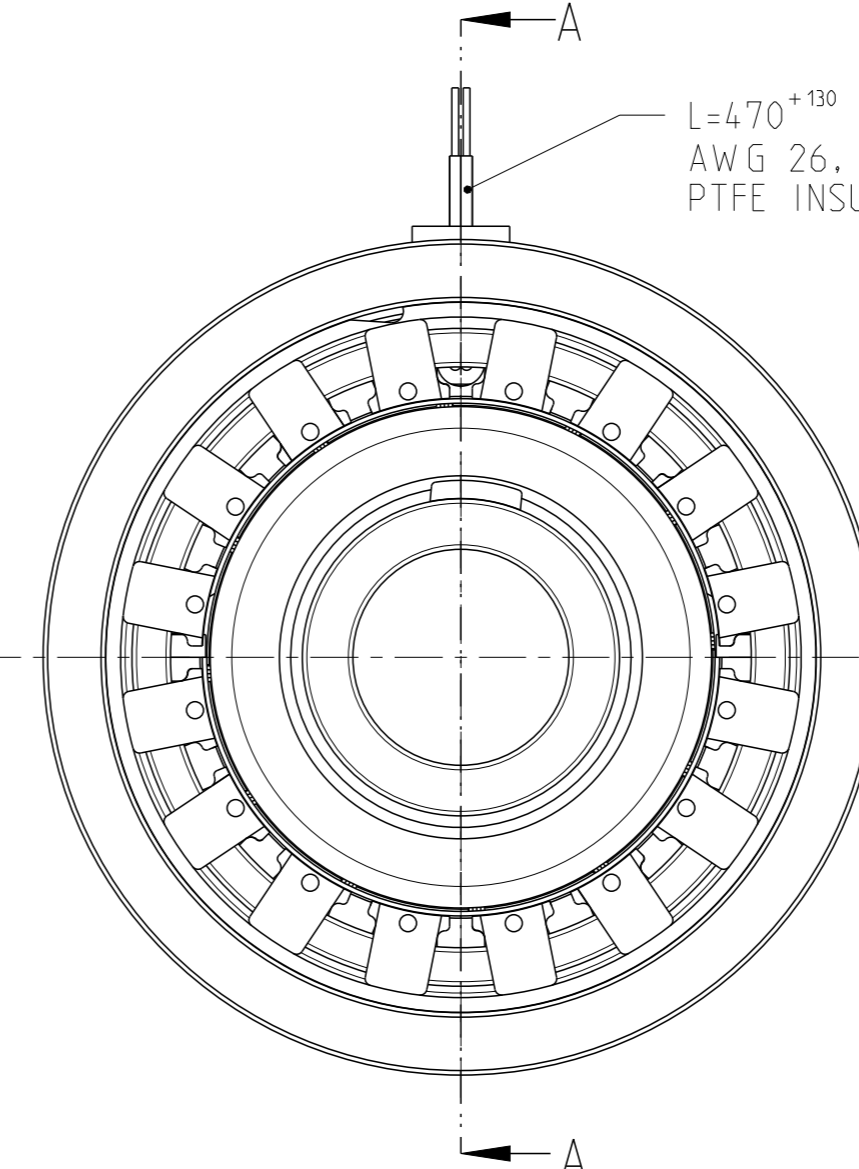
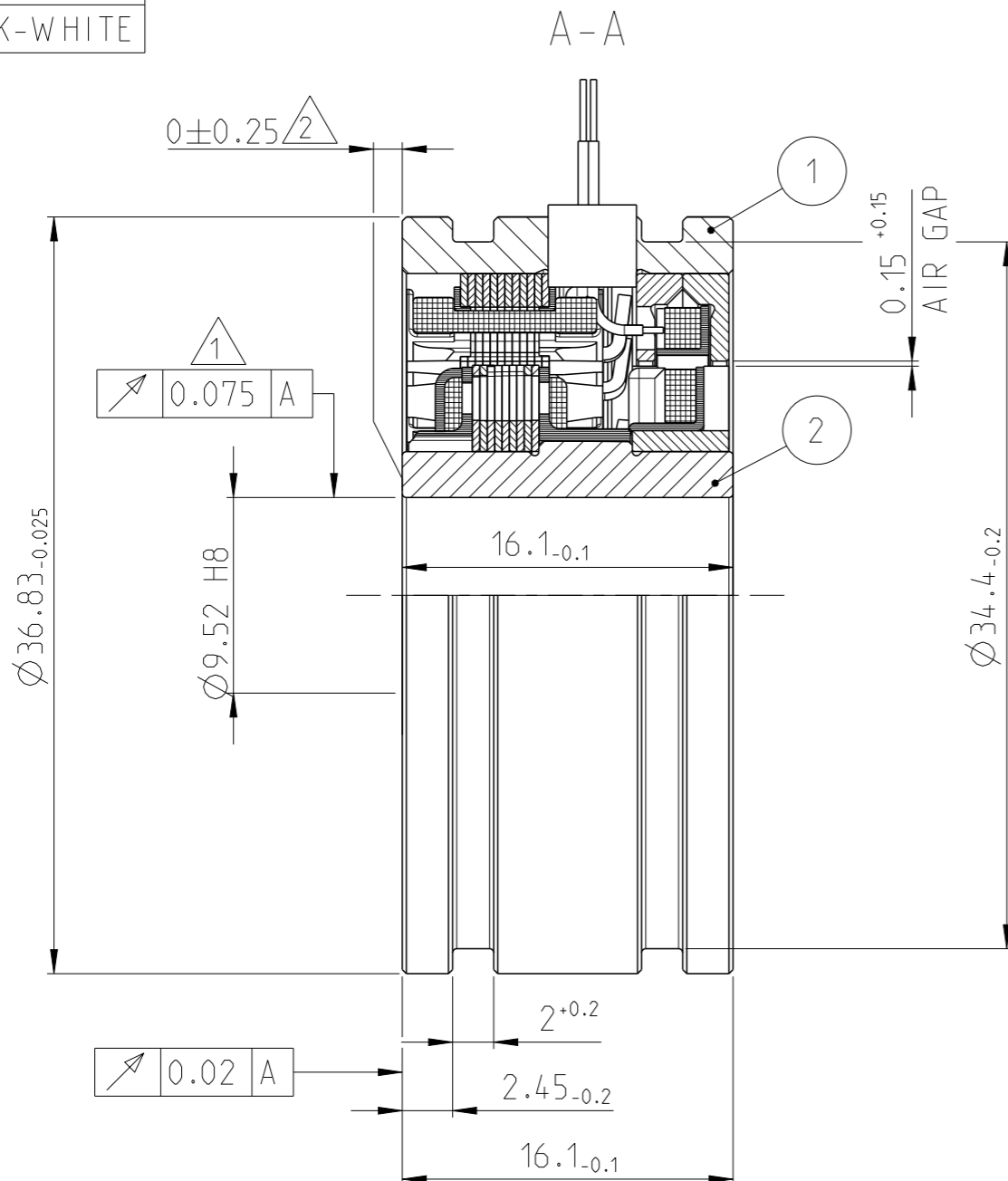


SIGNAL	CABLE COLOR
S1	RED
S2	YELLOW
S3	BLACK
S4	BLUE
R1	RED-WHITE
R2	BLACK-WHITE

REVISIONS

P	LTR	DESCRIPTION	DATE	DWN	APVD
C2		ECR-11-002555	07FEB2011	Kr	An
D		WIRE LENGTH CORRECTION-RESTRICTION REMOVED	19DEC2014	RK	PL
D1		ECR-19-011771	25JUL2019	GK	OD
D2		BOM TABLE AND NOTES UPDATED	21FEB2023	Ka	HB

9.52 H8 $+0.022$
0



1:1

1 RUNOUT WHEN INSTALLED
2 AXIAL OFFSET

ITEM NO	DESCRIPTION	ITEM NO
1	ROTOR-S1001-B1	2
1	STATOR S1001	1
2-1393047-5	DESCRIPTION	ITEM NO
-	REVISION OF EACH ASSY NO. (WHEN BLANK, USE DWG. REVISION)	
PARTS LIST		

THIS DRAWING IS A CONTROLLED DOCUMENT.

DWN Kraus	24NOV2005	STE TE Connectivity	NAME DIMENSIONAL DRAWING RESOLVER SZ.15 V23401-S1001-B101
CHK Andrae	07FEB2011		
APVD Herker	07FEB2011	SIZE A3	CAGE CODE 00779
PRODUCT SPEC	-	DRAWING NO. C-2-1393047-5	RESTRICTED TO -
APPLICATION SPEC	-	SCALE 3:1	SHEET 1 OF 1
WEIGHT -	-	CUSTOMER DRAWING	REV D2