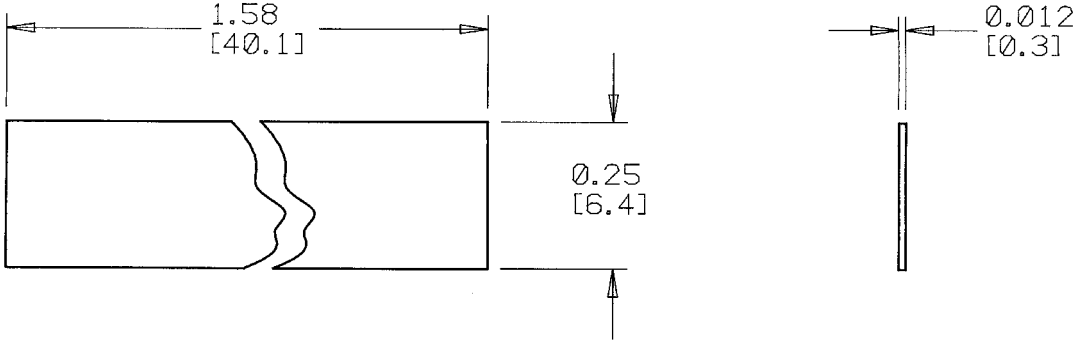


REVISIONS			
LTR	DESCRIPTION	DATE	APPROVED
N/C	INITIAL RELEASE PER ECN #T-08072	4-14-87	93

NOTES:

- MATERIAL: MODIFIED THERMOPLASTIC HOT MELT SEALANT.



If this document is printed it becomes uncontrolled.  
Check with the web for latest revision.

**SPECIFICATION CONTROL DRAWING** © Raychem Corporation 1987

UNLESS OTHERWISE SPECIFIED DIMENSIONS ARE IN INCHES. METRIC DIMENSIONS ARE IN BRACKETS.  DECIMALS .XXX ±.005 { .13 mm } .XX ±.03 { .8 mm }  ANGLES .X ±  WEIGHT 0.0002 lbs { 0.11 g } MAX.	DRAWN	LUTTICKEN	3-13-87		RAYCHEM CORPORATION 300 CONSTITUTION DRIVE MENLO PARK, CALIFORNIA 94025		
	CHECKED	<i>[Signature]</i>					
	APPROVED	<i>[Signature]</i>	3-30-87	TITLE	<b>ADHESIVE, FLAT, FOR          CABLE/BUSBAR, 1.5 INCH</b>		
	APPROVED			CAD NAME			
THIRD ANGLE PROJECTION			SIZE	CODE IDENT. NO.	DWG. NO.	REV	
			A	06090	CTA-0091	N/C	
				DO NOT SCALE THIS DRAWING		SHEET 1 OF 1	