

1. 製品名称／PRODUCT NAME : SPOT-ON 1.5 RETAINER

製品番号／PART NUMBER : 2016502**☆

(**は極数を示し、☆は色を示す。図面参照。)

(** IS CIRCUITS SIZE. ☆ IS COLOR. REFER TO DRAWING.)

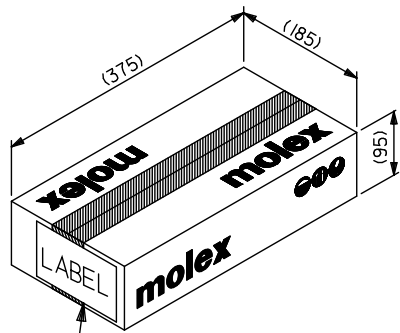
2. 標準梱包数／STANDARD PACKAGING QUANTITY

極 数 CKT. SIZE	ポリ袋 POLY BAG	内装カートン PRIMARY CARTON		外装カートン SHIPPING CARTON
	1袋中の製品数 QUANTITY IN ONE BAG	ポリ袋の数 NUMBER OF POLY BAG	製品数 QUANTITY	製品数(内装カートン×4) QUANTITY (PRIMARY CARTON X4)
2	500	10	5,000	20,000
3	500	10	5,000	20,000
4	500	10	5,000	20,000
5	500	10	5,000	20,000
6	200	11	2,200	8,800
7	200	11	2,200	8,800
8	200	11	2,200	8,800
9	200	11	2,200	8,800
10	200	10	2,000	8,000
11	200	10	2,000	8,000
12	200	10	2,000	8,000
13	100	6	600	2,400
14	100	6	600	2,400
15	100	6	600	2,400
16	100	6	600	2,400
17	100	6	600	2,400
18	100	6	600	2,400
19	100	6	600	2,400
20	100	6	600	2,400

REV.	A		
SHEET	1~2		
REVISE ON PC ONLY		TITLE:	
A	RELEASED 119032 2017/08/10 Y.TOKUZONO		201650梱包仕様書 SALES PACKAGING SPEC. FOR 201650
	THIS DOCUMENT CONTAINS INFORMATION THAT IS PROPRIETARY TO MOLEX ELECTRONIC TECHNOLOGIES, LLC AND SHOULD NOT BE USED WITHOUT WRITTEN PERMISSION		
REV.	DESCRIPTION		
DESIGN CONTROL J		STATUS	DATE: 2017/08/03
WRITTEN BY: YTOKUZONO		CHECKED BY: M.SASAO	APPROVED BY: M.SASAO

DOCUMENT NUMBER 2016509200	DOC. TYPE PS	DOC. PART 200	CUSTOMER GENERAL	SHEET 1 OF 2
-------------------------------	-----------------	------------------	---------------------	-----------------

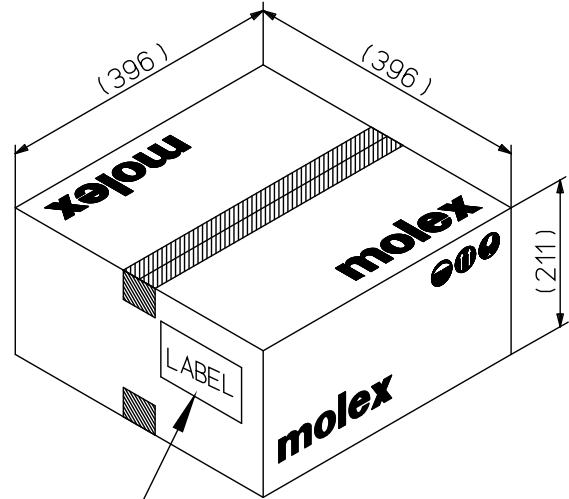
3. カートン外形参考寸法 / CARTON OUTER DIMENSIONS (REFERENCE PURPOSE ONLY) 単位 / UNIT: mm



カートンラベル
CARTON LABEL

(製品型番, 数量, ロットNO. 表示)
INDICATION OF PART No., QUANTITY, LOT No.

内装カートン
PRIMARY CARTON



カートンラベル
CARTON LABEL

(製品型番, 数量, ロットNO. 表示)
INDICATION OF PART No., QUANTITY, LOT No.

外装カートン
SHIPPING CARTON

REVISE ON PC ONLY	A	SEE SHEET 1 OF 2	TITLE: 201650 梱包仕様書 SALES PACKAGING SPEC. FOR 201650		
		REV. DESCRIPTION	THIS DOCUMENT CONTAINS INFORMATION THAT IS PROPRIETARY TO MOLEX ELECTRONIC TECHNOLOGIES, LLC AND SHOULD NOT BE USED WITHOUT WRITTEN PERMISSION		
DOCUMENT NUMBER 2016509200	DOC. TYPE PS	DOC. PART 200	CUSTOMER GENERAL	SHEET 2 OF 2	