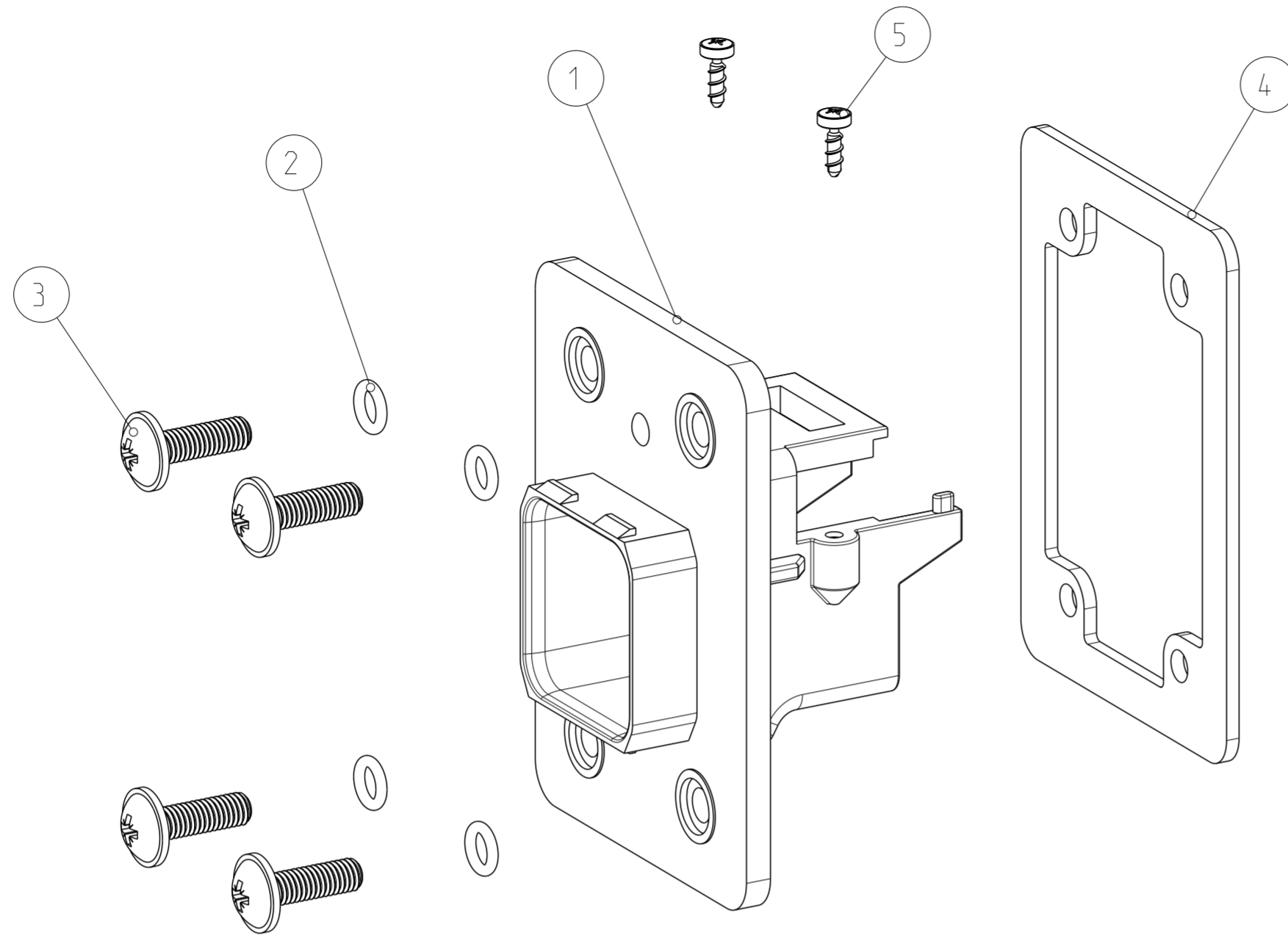


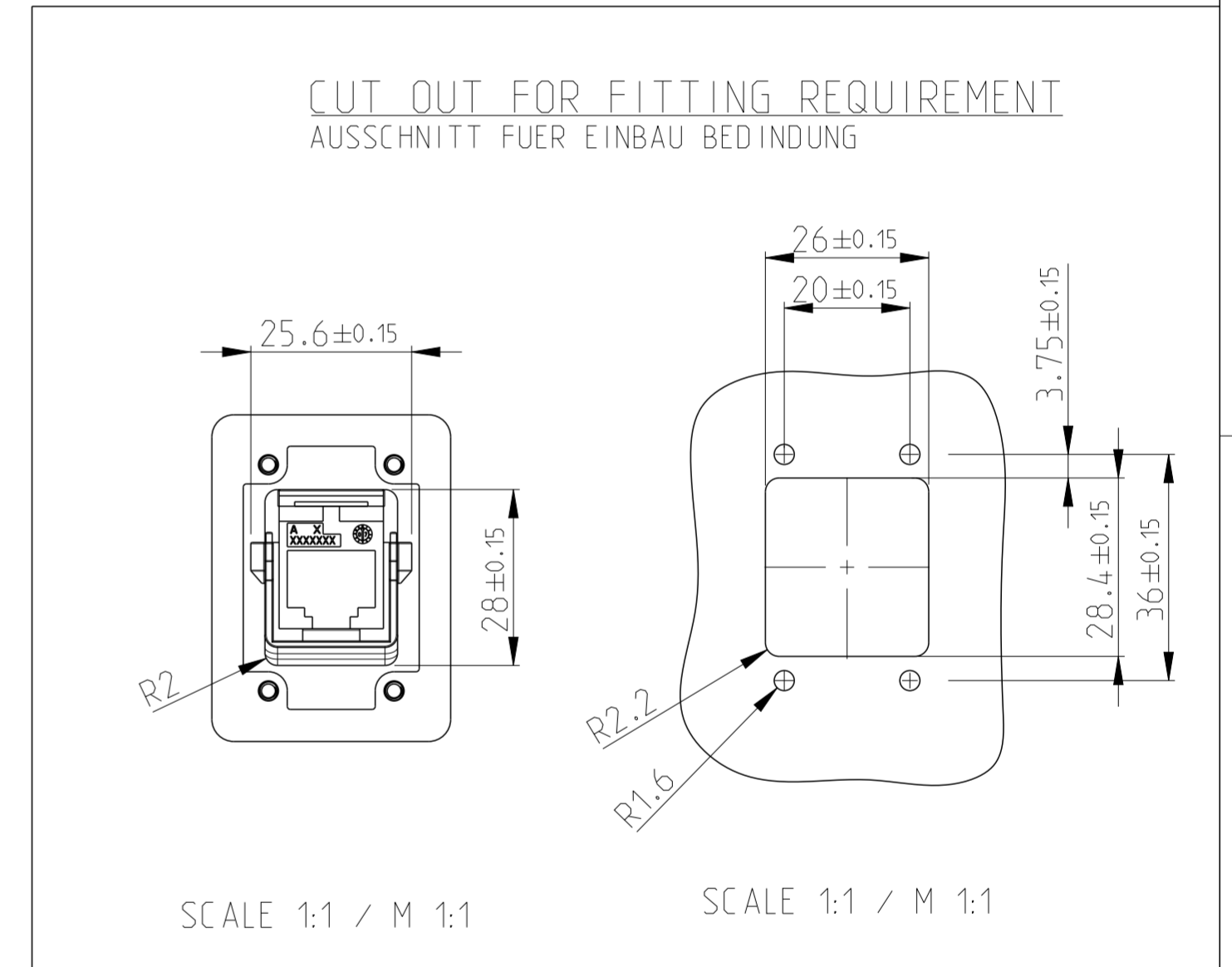
THIS DRAWING IS UNPUBLISHED. RELEASED FOR PUBLICATION 2008
 © COPYRIGHT 2008 BY - ALL RIGHTS RESERVED.

REVISIONS					
P	LTR	DESCRIPTION	DATE	DWN	APVD
	A4	PN 1987307-2 DISCONTINUED	05JAN2018	TJ	NG



SINGLE PACKING: PLASTIC BAG (MINI GRIP) WITH MANUAL.
 MULTI PACKING: 50 PIECE ITEM NO. 1 IN CORD TENSIONING BAG+
 200 PIECE ITEM NO. 2 IN PLASTIC BAG (MINI GRIP) +
 200 PIECE ITEM NO. 3 PLASTIC BAG (MINI GRIP) +
 50 PIECE ITEM NO. 4 PLASTIC BAG (MINI GRIP) +
 100 PIECE ITEM NO. 5 PLASTIC BAG (MINI GRIP) +
 PACKED IN CORRUGATED SHIPPING BOX WITH MANUAL.

EINZELVERPACKUNG: KUNSTSTOFFBEUTEL (MINI GRIP) MIT ANLEITUNG.
 MEHRFACHVERPACKUNG: 50 STUECK POS. 1 IN KORDELZUG BEUTEL +
 200 STUECK POS. 2 IN KUNSTSTOFFBEUTEL (MINI GRIP) +
 200 STUECK POS. 3 IN KUNSTSTOFFBEUTEL (MINI GRIP) +
 50 STUECK POS. 4 IN KUNSTSTOFFBEUTEL (MINI GRIP) +
 100 STUECK POS. 5 IN KUNSTSTOFFBEUTEL (MINI GRIP) +
 VERPACKT IN VERSANDKARTON MIT ANLEITUNG.



-	-	1	1	-	MANUAL	6	
-	-	100	2	-	TREAD ROLLING SCREW M1.6 x 6	5	
-	-	50	1	-	FLAT GASKET FOR IP67 PUSH-PULL FRAME	4	
-	-	200	4	-	ROUND HEAD SCREW Mx3	3	
-	-	200	4	-	O-RING SEAL FOR IP67 PUSH-PULL FRAME	2	
-	-	50	1	-	FRAME, PUSH-PULL, IP67	1	
-	-	-2	-1	DWG. SIZE	PARTNUMBER	DESCRIPTION	ITEM NO
-	-	-	-	←	REVISION OF EACH ASSY NO. (WHEN BLANK, USE DWG. REVISION)		
QTY REQD PER ASSY		PARTS LIST					

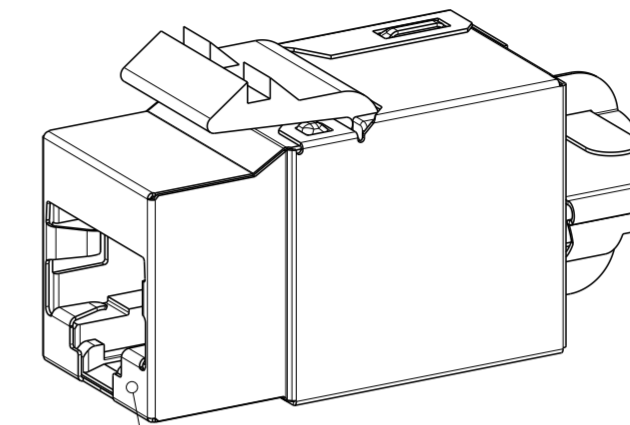
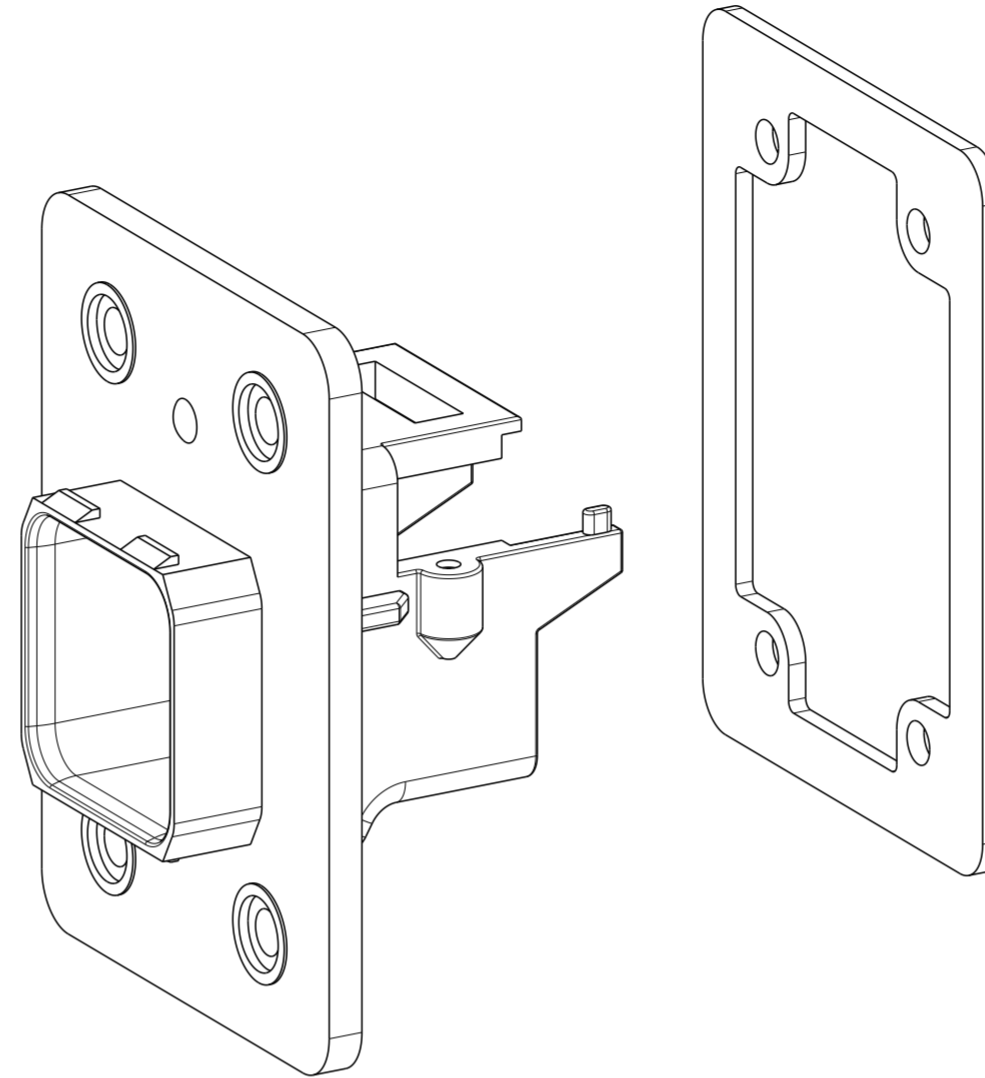
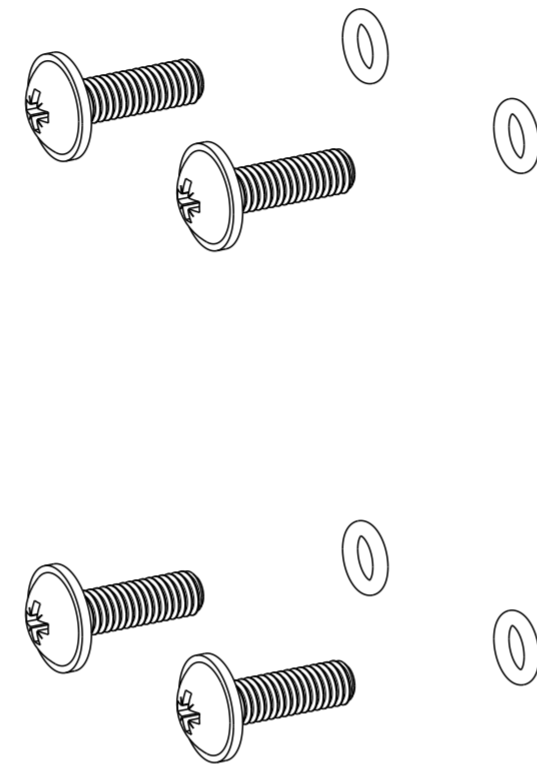
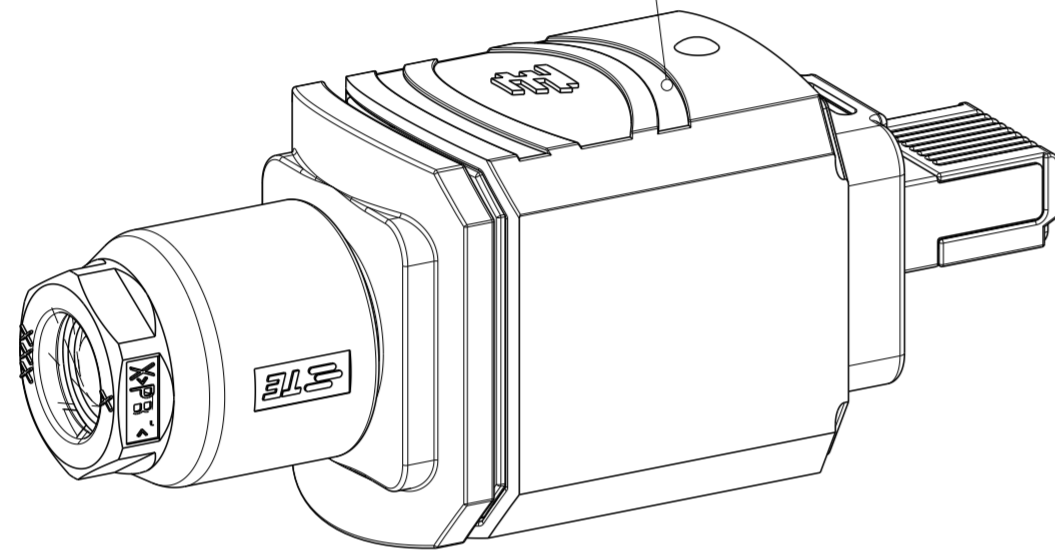
THIS DRAWING IS A CONTROLLED DOCUMENT.		DWN N.Thirunavukkarasu 08NOV2007	TE Connectivity	
DIMENSIONS: mm		CHK W.BOECK 08NOV2007		
TOLERANCES UNLESS OTHERWISE SPECIFIED:		APVD R.KRAEMER 08NOV2007	NAME ASSY, IP65/67 PUSH-PULL FRAME ASSY, IP65/67 PUSH-PULL RAHMEN	
0 PLC ± 1 PLC ± 2 PLC ± 3 PLC ± 4 PLC ± ANGLES ±°		PRODUCT SPEC 108-94207	RESTRICTED TO	
MATERIAL - material_2		FINISH - finish_spec_2	SIZE A2	CAGE CODE 00779
		WEIGHT -	DRAWING NO C-1987307	SCALE 2:1
		CUSTOMER DRAWING	SHEET 1 OF 2	REV A4

THIS DRAWING IS UNPUBLISHED. RELEASED FOR PUBLICATION 2008
 © COPYRIGHT 2008 BY - ALL RIGHTS RESERVED.

APPLICABLE VERSION
 ANWENDBARE VERSION

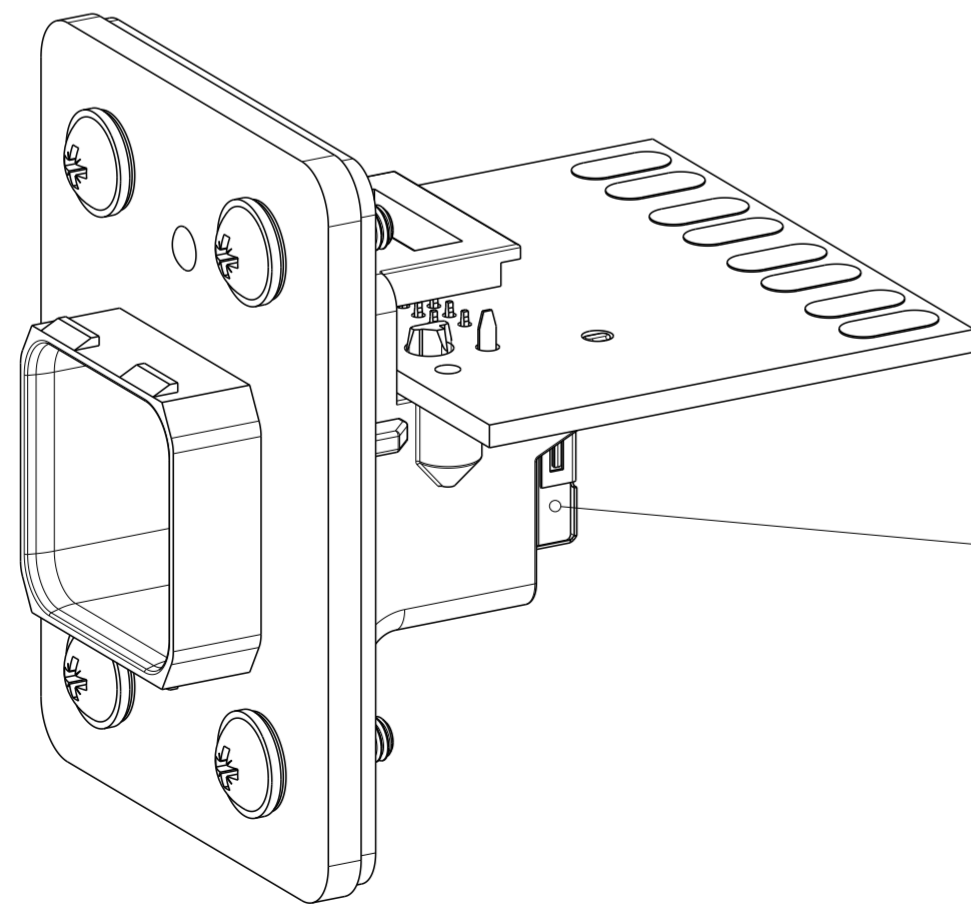
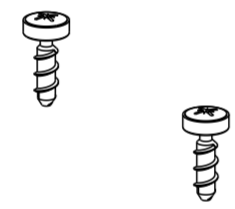
REVISIONS				
P	LTR	DESCRIPTION	DATE	APVD
-		SEE SHEET 1	-	-

RJ45 PLUG, PUSH-PULL, ASSY
 RJ45 STECKER, PUSH-PULL, ASSY
 CAT5, SHIELDED
 PN: 1987004-1/-2

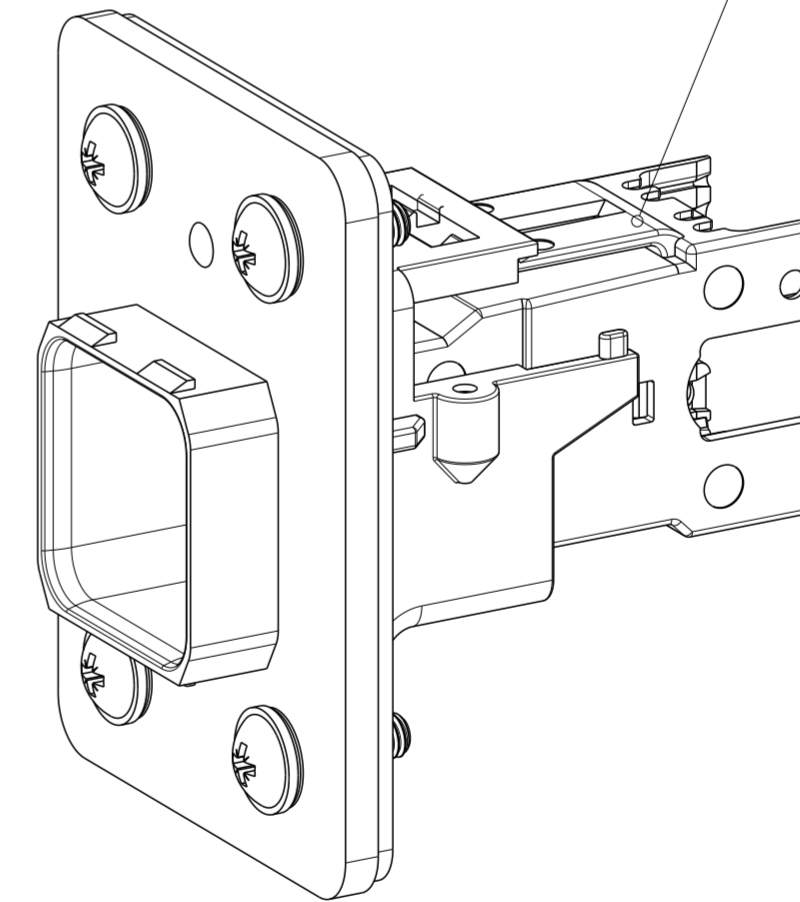



ASSEMBLY, SL 110 JACK, SHIELD, CATEGORY 5e
 PN: 1375189-1

AMP-TWIST-6S SL JACK
 PN1711342-1



INVERTED MOD JACK ASSY SHIELDED
 PN: 406541-1



THIS DRAWING IS A CONTROLLED DOCUMENT.		DWN 08NOV2007 N.Thirunavukkarasu	 TE Connectivity		
DIMENSIONS: mm		CHK 08NOV2007 W_BOECK			
TOLERANCES UNLESS OTHERWISE SPECIFIED:		APVD 08NOV2007 R.KRAEMER	NAME ASSY, IP67 PUSH-PULL FRAME ASSY, IP67 PUSH-PULL RAHMEN		
0 PLC ± 1 PLC ± 2 PLC ± 3 PLC ± 4 PLC ± ANGLES ±°		PRODUCT SPEC APPLICATION SPEC	SIZE A2	CAGE CODE 00779	DRAWING NO C-1987307
MATERIAL material_2		FINISH finish_spec_2	WEIGHT -	RESTRICTED TO -	SCALE 2:1
CUSTOMER DRAWING			SHEET 2	OF 2	REV A4