

## FEATURES

- Input voltage supply range: 4.5 V to 60 V
- Adjustable output voltage range: 0.8 V to  $V_{IN}$
- Factory-programmable fixed output voltage options of 3.3 V and 5.0 V
- Continuous output current up to 50 mA
- Adjustable peak inductor current limit up to 140 mA
- Pulse frequency modulation (PFM) control
- Very high efficiency
  - 90% at  $V_{IN} = 9\text{ V}$ ,  $V_{OUT} = 3.3\text{ V}$ ,  $I_{OUT} = 10\text{ mA}$
  - 87% at  $V_{IN} = 9\text{ V}$ ,  $V_{OUT} = 3.3\text{ V}$ ,  $I_{OUT} = 1\text{ mA}$
- Low shutdown current:  $<4\ \mu\text{A}$
- Low quiescent current: 12  $\mu\text{A}$  typical in sleep mode
- 100% duty cycle operation
- Undervoltage lockout (UVLO)
- No external compensation required
- Enable input with precision thresholds
- Programmable soft start
- Power-good output
- Thermal shutdown (TSD) protection
- 8-lead LFCSP package

## APPLICATIONS

- 4 mA to 20 mA loop powered systems
- HART modems
- Building automation
- Distributed power systems
- Industrial control supplies
- Other high  $V_{IN}$ , low  $I_{OUT}$  systems

## GENERAL DESCRIPTION

The ADP2360 is a high efficiency, high input voltage, discontinuous conduction mode (DCM) synchronous, step-down, dc-to-dc switching regulator. The ADP2360 operates with a wide input voltage supply range from 4.5 V to 60 V and can source up to 50 mA continuous output current, making it ideal for regulating power from a variety of voltage sources in space-constrained applications. The ADP2360 is available with an adjustable output (0.8 V to  $V_{IN}$ ) or in 3.3 V and 5.0 V factory-programmable fixed output voltage models.

The ADP2360 uses a single-pulse PFM architecture with an adjustable peak current level ( $I_{PEAK}$ ) control to minimize the input and output ripple. The adjustable  $I_{PEAK}$  current limit allows

## TYPICAL APPLICATION CIRCUIT

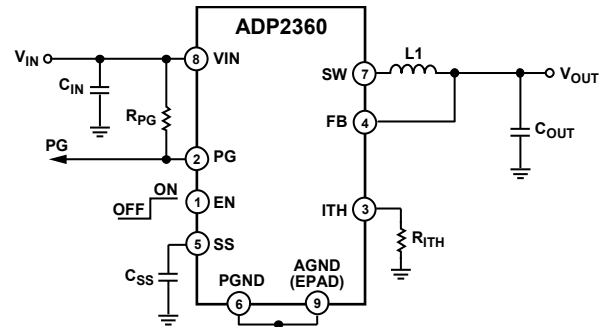


Figure 1.

13944-001

the ADP2360 to optimize the efficiency for the application operating conditions and minimize the compatible inductor size.

The ADP2360 further offers a power-good (PG) pin to indicate when the output voltage is good. Other key features include 100% duty cycle operation, precision enable control, external soft start control, UVLO, and TSD protection.

The ADP2360 requires no external compensation and the solution for the fixed output voltage options requires a minimum of three external components. The ADP2360 is available in a 3 mm × 3 mm, 8-lead LFCSP package with an operating junction temperature range from  $-40^{\circ}\text{C}$  to  $+125^{\circ}\text{C}$ .

Rev. A

[Document Feedback](#)

Information furnished by Analog Devices is believed to be accurate and reliable. However, no responsibility is assumed by Analog Devices for its use, nor for any infringements of patents or other rights of third parties that may result from its use. Specifications subject to change without notice. No license is granted by implication or otherwise under any patent or patent rights of Analog Devices. Trademarks and registered trademarks are the property of their respective owners.

**TABLE OF CONTENTS**

Features .....	1	Device Features.....	11
Applications.....	1	Applications Information .....	12
Typical Application Circuit .....	1	Setting the Output Voltage.....	12
General Description .....	1	Input Capacitor Selection.....	12
Revision History .....	2	Estimating the Switching Frequency .....	12
Specifications.....	3	Setting the Peak Inductor Current.....	12
Absolute Maximum Ratings.....	5	Inductor Selection .....	13
Thermal Resistance .....	5	Output Capacitor Selection.....	13
ESD Caution.....	5	Design Optimization .....	13
Pin Configuration and Function Descriptions.....	6	Recommended Components .....	13
Typical Performance Characteristics .....	7	PCB Layout Considerations.....	14
Theory of Operation .....	10	Outline Dimensions .....	15
Overview.....	10	Ordering Guide .....	15
Control Scheme .....	10		

**REVISION HISTORY**

<b>10/2017—Rev. 0 to Rev. A</b>	
Changes to Ordering Guide .....	15

**5/2016—Revision 0: Initial Version**

## SPECIFICATIONS

$V_{IN} = V_{EN} = 24\text{ V}$ ,  $V_{OUT} = 3.3\text{ V}$ , typical values are at  $T_A = 25^\circ\text{C}$ , and minimum/maximum limits are guaranteed for  $T_J = -40^\circ\text{C}$  to  $+125^\circ\text{C}$ , unless otherwise noted. All limits at temperature extremes are guaranteed via correlation using standard statistical quality control (SQC).

Table 1.

Parameters	Symbol	Test Conditions/Comments	Min	Typ	Max	Unit
INPUT VOLTAGE SUPPLY RANGE	$V_{IN}$		4.5		60	V
QUIESCENT CURRENT						
Sleep Mode	$I_{Q\_SLEEP}$	Between switching cycles, $FB > V_{FB\_RISING}$		12	23	$\mu\text{A}$
Active	$I_{Q\_ACTIVE}$	During switching cycle, $FB < V_{FB\_FALLING}$		140	165	$\mu\text{A}$
Shutdown Current	$I_{Q\_SHUTDOWN}$	$V_{EN} = 0\text{ V}$ , $T_J = -40^\circ\text{C}$ to $+85^\circ\text{C}$		0.8	4	$\mu\text{A}$
UNDERVOLTAGE LOCKOUT (UVLO)						
VIN UVLO Rising Threshold	$V_{UVLO\_RISING}$		4.3	4.4	4.5	V
VIN UVLO Falling Threshold	$V_{UVLO\_FALLING}$		4.1	4.2	4.3	V
SOFT START (SS)						
SS Pin Current	$I_{SS}$	$V_{SS} = 0\text{ V}$	0.75	1	1.25	$\mu\text{A}$
PRECISION ENABLE LOGIC/SHUTDOWN						
EN Pin Voltage Range	$V_{EN}$		0		60	V
EN Threshold Rising	$V_{EN\_RISING}$		0.95	1	1.05	V
EN Hysteresis	$V_{EN\_HYS}$			50		mV
EN Pin Leakage Current	$I_{EN\_LEAKAGE}$	$V_{IN} = V_{EN} = 60\text{ V}$		0.1	0.5	$\mu\text{A}$
Shutdown Threshold	$V_{EN\_SHUTDOWN}$		0.35	0.57	0.7	V
FEEDBACK						
Adjustable Output Voltage Range	$V_{OUT}$		0.8		$V_{IN}$	V
FB Falling Threshold	$V_{FB\_FALLING}$	Adjustable output voltage model	0.792	0.800	0.808	V
		Fixed 3.3 V output voltage model	3.267	3.300	3.333	V
		Fixed 5.0 V output voltage model	4.950	5.000	5.050	V
FB Rising Threshold	$V_{FB\_RISING}$	Adjustable output voltage model	0.794	0.803	0.812	V
		Fixed 3.3 V output voltage model	3.284	3.317	3.349	V
		Fixed 5.0 V output voltage model	4.975	5.025	5.075	V
FB Pin Current	$I_{FB}$	Adjustable output voltage models		0.005	0.1	$\mu\text{A}$
		Fixed output voltage models		1.15	1.5	$\mu\text{A}$
SWITCH (SW) PARAMETERS						
On Resistance						
Positive Metal Oxide Semiconductor (PMOS)	$R_{DS(on)_P}$	$I_{SW} = 50\text{ mA}$		4	8	$\Omega$
Negative Metal Oxide Semiconductor (NMOS)	$R_{DS(on)_N}$	$I_{SW} = 50\text{ mA}$		2	4	$\Omega$
Leakage Current						
PMOS		$V_{SW} = 0\text{ V}$			1	$\mu\text{A}$
NMOS		$V_{SW} = 24\text{ V}$			1	$\mu\text{A}$
Discharge Resistor		$EN = 0\text{ V}$		100		k $\Omega$
INDUCTOR CURRENT LIMIT						
ITH Threshold Voltage	$V_{ITH}$		0.967	1	1.018	V
Peak Current Limit	$I_{PEAK}$	$R_{ITH} = 0\ \Omega$ , at power-up	126	140	154	mA
		$R_{ITH} = \text{open}$ , at power-up	45	50	55	mA
Minimum PMOS on Time	$t_{PMOS(MIN)}$	$I_{SW} = 20\text{ mA}$ , $R_{ITH} = \text{open}$		35		ns
POWER GOOD (PG)						
PG Pin Voltage Range	$V_{PG}$		0		60	V
PG Pin Pull-Down Resistance	$R_{PG}$			1.0	1.5	k $\Omega$
Rising Threshold	$V_{PG\_RISING}$	Adjustable output voltage model		0.740	0.760	V
		Fixed 3.3 V output voltage model		3.053	3.135	V
		Fixed 5.0 V output voltage model		4.625	4.750	V

Parameters	Symbol	Test Conditions/Comments	Min	Typ	Max	Unit
Hysteresis	V <sub>PG_HYS</sub>	Adjustable output voltage model		40		mV
		Fixed 3.3 V output voltage model		165		mV
		Fixed 5.0 V output voltage model		250		mV
Leakage Current	I <sub>PG_LEAKAGE</sub>	V <sub>PG</sub> = 24 V		0.06	0.5	μA
THERMAL SHUTDOWN						
Rising Threshold	T <sub>SHDN</sub>			150		°C
Hysteresis	T <sub>HYS</sub>			15		°C

## ABSOLUTE MAXIMUM RATINGS

Table 2.

Parameter	Rating
V <sub>IN</sub> , EN, PG, to AGND, PGND	−0.3 V to +61 V
FB to AGND, PGND	−0.3 V to +5.5 V
SW to AGND, PGND	−0.3 V to V <sub>IN</sub> + 0.3 V
ITH, SS to AGND, PGND	−0.3 V to +4 V
Operating Junction Temperature Range	−40°C to +125°C
Storage Temperature Range	−65°C to +150°C
Soldering Conditions	JEDEC J-STD-020

Stresses at or above those listed under Absolute Maximum Ratings may cause permanent damage to the product. This is a stress rating only; functional operation of the product at these or any other conditions above those indicated in the operational section of this specification is not implied. Operation beyond the maximum operating conditions for extended periods may affect product reliability.

## THERMAL RESISTANCE

$\theta_{JA}$  is specified for the worst case conditions, that is, a device soldered in a circuit board for surface-mount packages.

For additional information on thermal resistance, refer to [Application Note AN-000](#), *Thermal Characteristics of IC Assembly*.

Table 3. Thermal Resistance

Package Type	$\theta_{JA}$	$\Psi_{JB}$	Unit
8-Lead LFCSP	62.7	33.60	°C/W

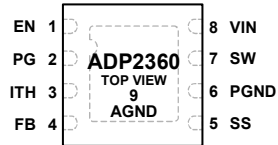
$\theta_{JA}$  and  $\Psi_{JB}$  are modeled using a standard 4-layer JEDEC printed circuit board (PCB) (2S2P) with the exposed pad soldered to the board with a 2 × 2 array of thermal vias and still air.

## ESD CAUTION



**ESD (electrostatic discharge) sensitive device.** Charged devices and circuit boards can discharge without detection. Although this product features patented or proprietary protection circuitry, damage may occur on devices subjected to high energy ESD. Therefore, proper ESD precautions should be taken to avoid performance degradation or loss of functionality.

## PIN CONFIGURATION AND FUNCTION DESCRIPTIONS



NOTES  
 1. ANALOG GROUND. THE EXPOSED PAD MUST BE CONNECTED AND SOLDERED TO AN EXTERNAL GROUND PLANE.

13944-002

Figure 2. Pin Configuration

Table 4. Pin Function Descriptions

Pin No.	Mnemonic	Description
1	EN	Enable Input. This pin enables control for the ADP2360 with precision thresholds.
2	PG	Power-Good Output. This pin is an open-drain, power-good indicator.
3	ITH	$I_{PEAK}$ Threshold Programming Pin. Connect a resistor to ground to adjust the $I_{PEAK}$ level in the application.
4	FB	Output Voltage Feedback Input. Use this pin to set the output voltage.
5	SS	Soft Start. Connect a capacitor from SS to AGND to adjust the soft start time of the device.
6	PGND	Power Ground. NMOS power device and driver ground connection.
7	SW	Switch Node. This pin is the drain of the power NMOS and power PMOS devices.
8	VIN	Input Voltage. An input capacitor must be placed between this pin and PGND.
9	AGND (EPAD)	Analog Ground. The exposed pad must be connected and soldered to an external ground plane.

### TYPICAL PERFORMANCE CHARACTERISTICS

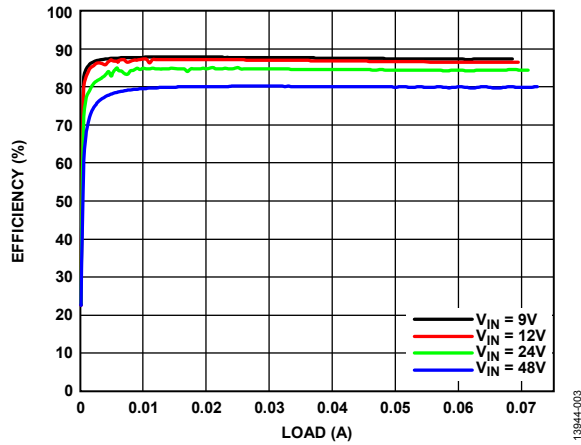


Figure 3. Efficiency vs. Load,  $V_{OUT} = 3.3\text{ V}$  Fixed,  $R_{TH} = 0\ \Omega$ ,  $T_A = 25^\circ\text{C}$

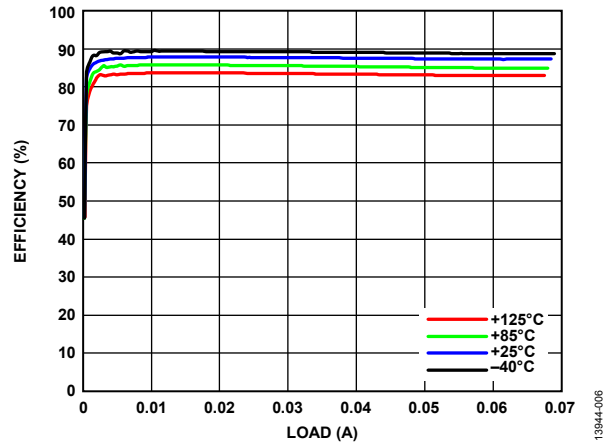


Figure 6. Efficiency vs. Load over Temperature,  $V_{IN} = 9\text{ V}$ ,  $V_{OUT} = 3.3\text{ V}$  Fixed,  $R_{TH} = 0\ \Omega$

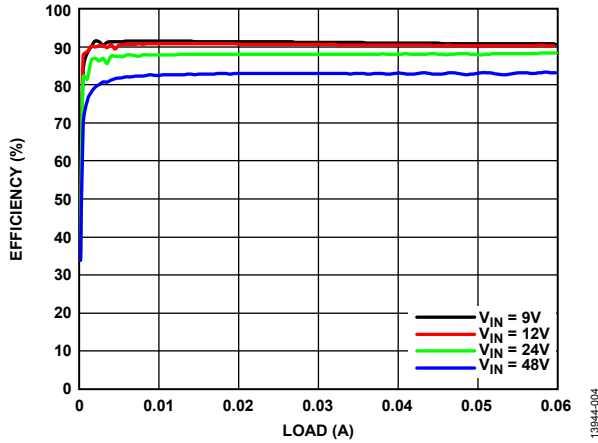


Figure 4. Efficiency vs. Load,  $V_{OUT} = 5\text{ V}$  Fixed,  $R_{TH} = 0\ \Omega$ ,  $T_A = 25^\circ\text{C}$

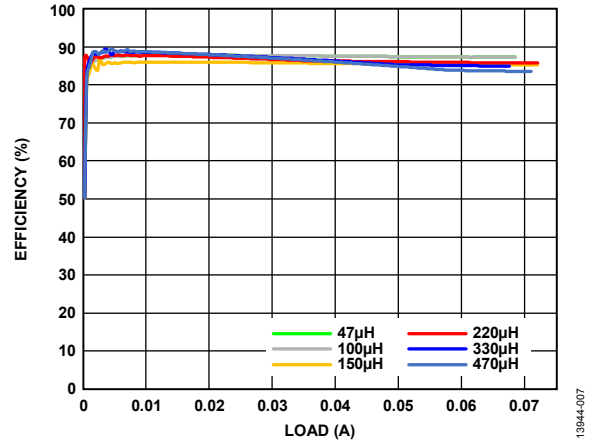


Figure 7. Efficiency vs. Load over Inductor Size,  $V_{IN} = 9\text{ V}$ ,  $V_{OUT} = 3.3\text{ V}$  Fixed,  $R_{TH} = 0\ \Omega$ ,  $T_A = 25^\circ\text{C}$

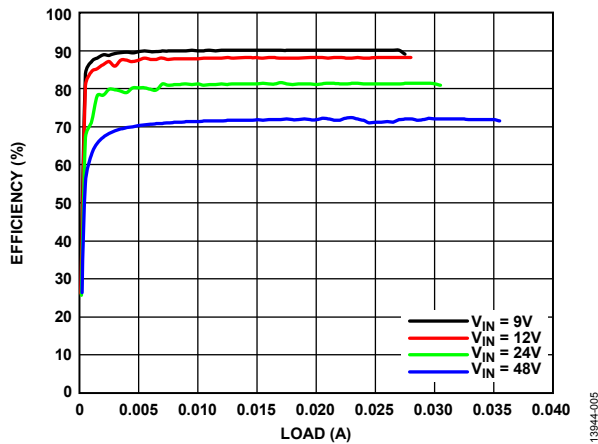


Figure 5. Efficiency vs. Load,  $V_{OUT} = 3.3\text{ V}$  Fixed,  $R_{TH} = \text{Open}$ ,  $T_A = 25^\circ\text{C}$

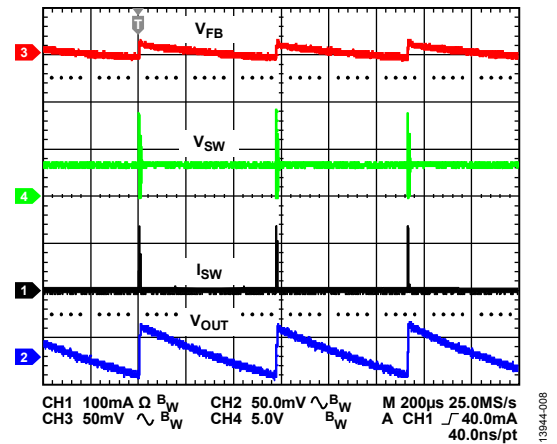


Figure 8. Switching Waveforms,  $V_{IN} = 9\text{ V}$ ,  $V_{OUT} = 3.3\text{ V}$  Fixed,  $R_{TH} = 0\ \Omega$ , Load = 1 mA

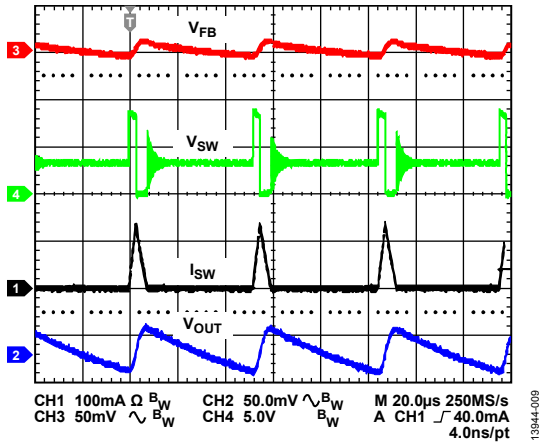


Figure 9. Switching Waveforms,  $V_{IN} = 9V$ ,  $V_{OUT} = 3.3V$  Fixed,  $R_{ITH} = 0\Omega$ , Load = 10 mA

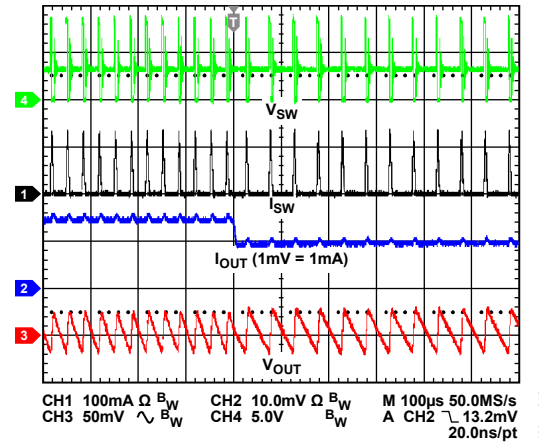


Figure 12. Load Transient,  $V_{IN} = 9V$ ,  $V_{OUT} = 3.3V$  Fixed,  $R_{ITH} = 0\Omega$ , Load Step 15 mA to 10 mA

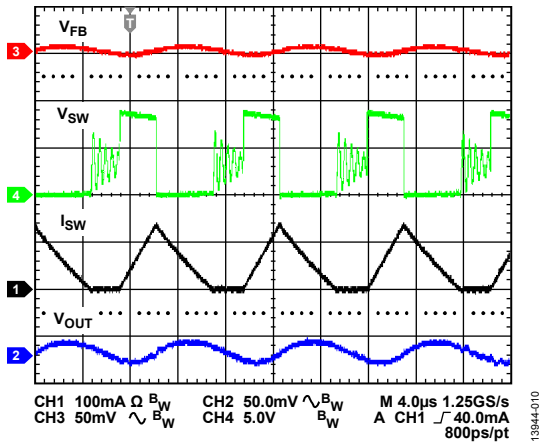


Figure 10. Switching Waveforms,  $V_{IN} = 9V$ ,  $V_{OUT} = 3.3V$  Fixed,  $R_{ITH} = 0\Omega$ , Load = 50 mA

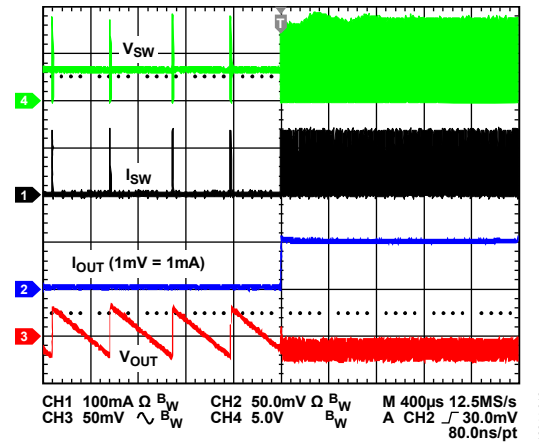


Figure 13. Load Transient,  $V_{IN} = 9V$ ,  $V_{OUT} = 3.3V$  Fixed,  $R_{ITH} = 0\Omega$ , Load Step 1 mA to 50 mA

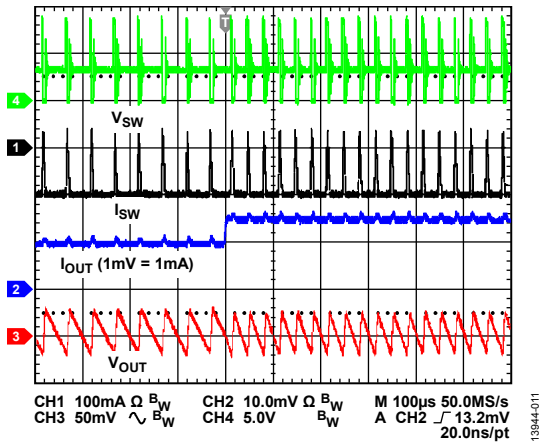


Figure 11. Load Transient,  $V_{IN} = 9V$ ,  $V_{OUT} = 3.3V$  Fixed,  $R_{ITH} = 0\Omega$ , Load Step 10 mA to 15 mA

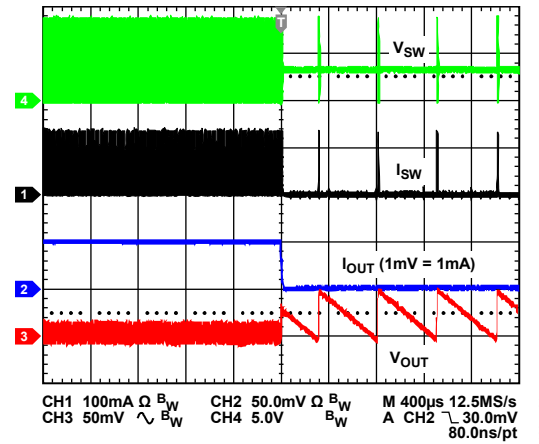


Figure 14. Load Transient,  $V_{IN} = 9V$ ,  $V_{OUT} = 3.3V$  Fixed,  $R_{ITH} = 0\Omega$ , Load Step 50 mA to 1 mA



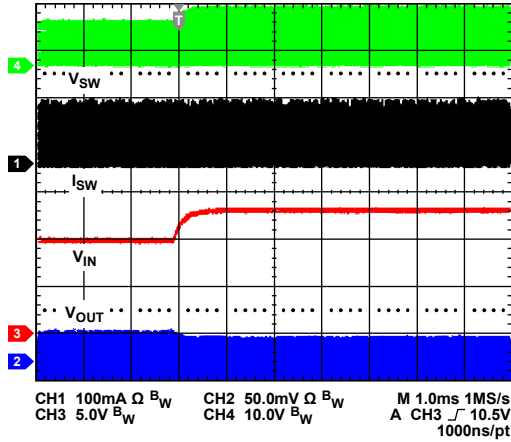


Figure 15. Line Transient,  $V_{OUT} = 3.3\text{ V}$  Fixed,  $R_{ITH} = 0\ \Omega$ , Load = 10 mA  
Line Step 9 V to 12 V

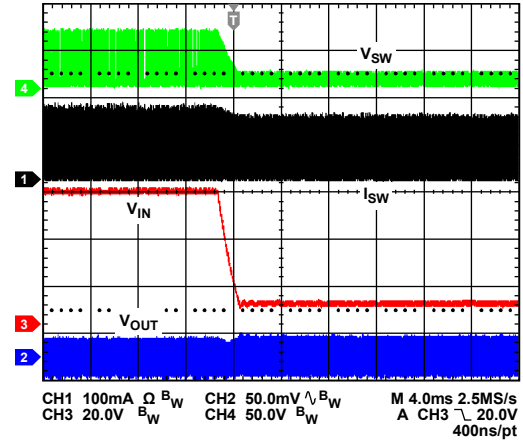


Figure 18. Line Transient,  $V_{OUT} = 3.3\text{ V}$  Fixed,  $R_{ITH} = 0\ \Omega$ , Load = 10 mA  
Line Step 60 V to 12 V

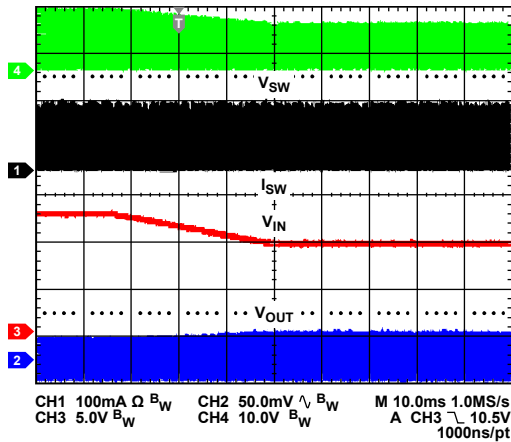


Figure 16. Line Transient,  $V_{OUT} = 3.3\text{ V}$  Fixed,  $R_{ITH} = 0\ \Omega$ , Load = 10 mA  
Line Step 12 V to 9 V

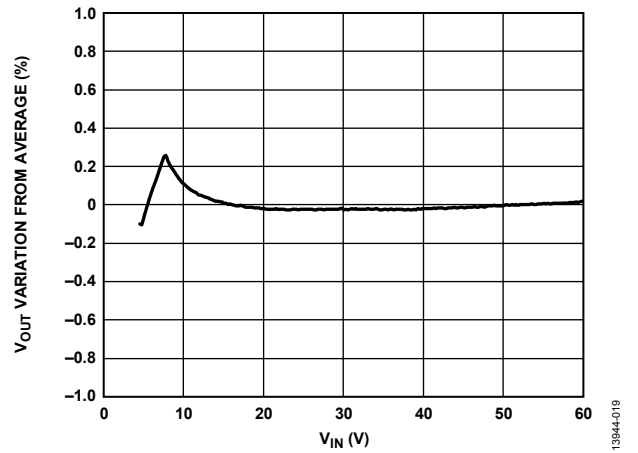


Figure 19. Line Regulation,  $V_{OUT} = 3.3\text{ V}$  Fixed,  $R_{ITH} = 0\ \Omega$ , Load = 10 mA

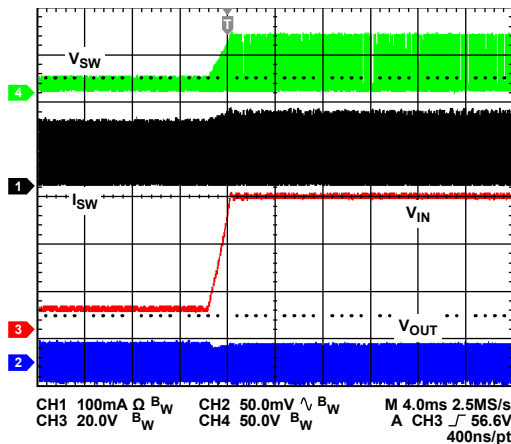


Figure 17. Line Transient,  $V_{OUT} = 3.3\text{ V}$  Fixed,  $R_{ITH} = 0\ \Omega$ , Load = 10 mA  
Line Step 12 V to 60 V

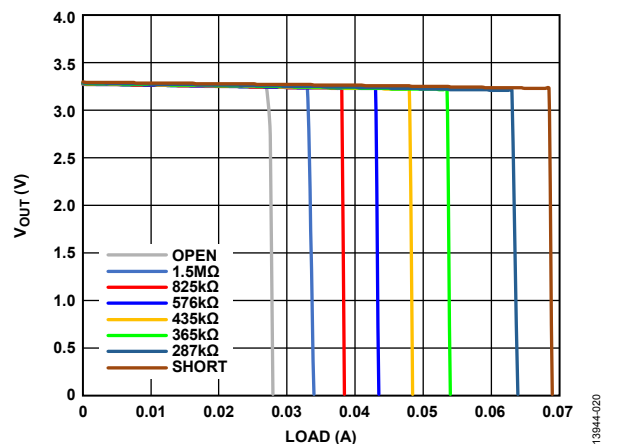
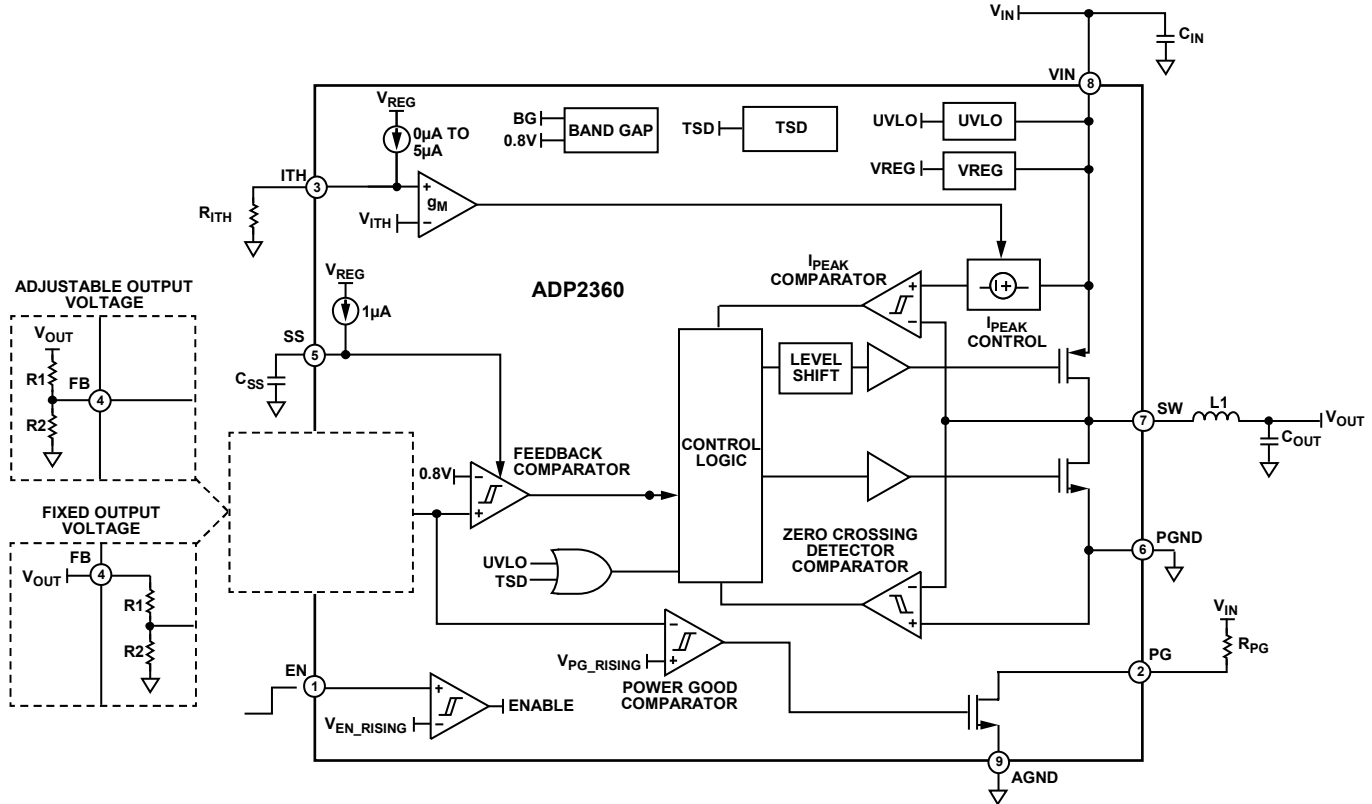


Figure 20. Load Current Capability,  $V_{OUT}$  vs. Load for Various  $R_{ITH}$  Values,  $V_{IN} = 9\text{ V}$  ( $V_{OUT}$  Drops to 0 V when Current Limit Reached)

## THEORY OF OPERATION



NOTES  
 1. THE PORTIONS IN THE DASHED BOXES DISPLAY THE DIFFERENCE OF THE FUNCTIONALITY OF PIN 4 FOR THE ADJUSTABLE AND FIXED OUTPUT VOLTAGES.

Figure 21. Block Diagram

### OVERVIEW

The ADP2360 is a high efficiency, high input voltage, DCM synchronous, step-down, dc-to-dc switching regulator.

The ADP2360 uses a single-pulse PFM architecture with adjustable I<sub>PEAK</sub> control to adjust the frequency variation within the application and to minimize the input and output ripple.

The ADP2360 further offers a power-good (PG) pin with an open-drain output signal to indicate when the output voltage is stable. Other key features include 100% duty cycle operation, precision enable control, external soft start control, undervoltage lockout, and thermal shutdown.

### CONTROL SCHEME

The ADP2360 uses a single-pulse, peak current PFM control scheme. A switching cycle is started when the FB pin voltage, V<sub>FB</sub>, is less than the V<sub>FB\_FALLING</sub> threshold, and the PMOS is turned on. While the PMOS is on, the current through the inductor increases to charge the output capacitor (C<sub>OUT</sub>) and store energy in the inductor. The current through the inductor continues to increase until it reaches the I<sub>PEAK</sub> programmed via the I<sub>TH</sub> pin. When I<sub>PEAK</sub> is reached, or if the V<sub>FB</sub> voltage rises above V<sub>FB\_RISING</sub>, the PMOS turns off.

When the PMOS turns off, the NMOS turns on, reducing the energy stored in the inductor until the inductor current reaches zero. At this point, the NMOS also turns off.

When both the NMOS and PMOS are off, the ADP2360 enters into sleep mode. During this phase of operation, the stored energy in C<sub>OUT</sub> delivers the load current, and thus V<sub>OUT</sub> and V<sub>FB</sub> decrease. When V<sub>FB</sub> drops below the V<sub>FB\_FALLING</sub> threshold, another switching cycle begins.

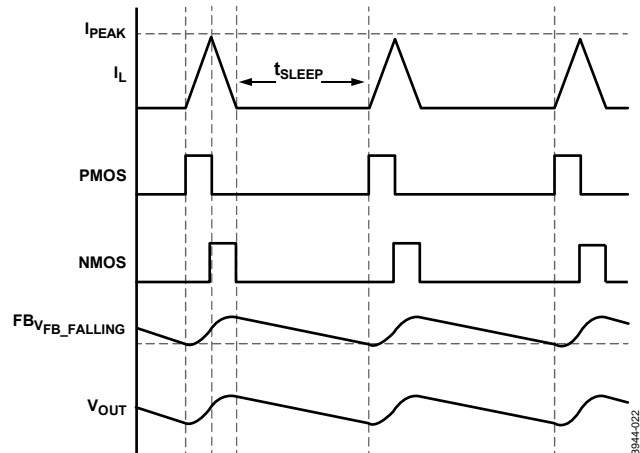


Figure 22. Control Scheme Typical Waveforms

### 100% Duty Cycle

Because the PMOS turns off only if the peak current is reached or if the feedback voltage exceeds  $V_{FB\_RISING}$ , the ADP2360 seamlessly operates up to 100% duty cycle. This situation arises when the input and output voltage are nearly equal. If the input voltage drops below the output voltage, the output is maintained with a small voltage drop across the PMOS device. When operating in 100% duty cycle, the output current limit is approximately equal to  $I_{PEAK}$ . Steps must be taken to ensure that the load does not exceed 50% of  $I_{PEAK}$  to avoid the current limit when the input voltage rises above the output voltage.

### Adjustable Peak Current Threshold (ITH)

The control method of the ADP2360 means that the maximum output current is slightly less than half of  $I_{PEAK}$ . This peak current value is resistor programmable with  $R_{ITH}$ .

The  $I_{PEAK}$  value set by  $R_{ITH}$  on the ITH pin is determined at startup and is reset only if the device is disabled and reenabled using the EN pin or a VIN power cycle.

## DEVICE FEATURES

### Fixed and Adjustable Output Models

Both fixed and adjustable output models are available. The fixed output models provide the feedback resistors internally.

### Shutdown/Precision Enable

The EN pin of the ADP2360 tolerates the full supply voltage range and provides three states of operation for the device: shutdown, sleep, and active. When the EN pin voltage ( $V_{EN}$ ) is less than  $V_{EN\_SHUTDOWN}$ , the ADP2360 is in shutdown mode and the VIN supply current is at the lowest value ( $I_{Q\_SHUTDOWN}$ ).

When  $V_{EN}$  rises above  $V_{EN\_SHUTDOWN}$  but is below  $V_{EN\_RISING}$ , some internal circuitry is enabled and the device is in standby mode. This circuitry enables the references that provide the precision enable threshold.

The precision enable turns on the regulator when the EN pin voltage rises above  $V_{EN\_RISING}$  and returns to standby mode when the voltage falls below  $V_{EN\_RISING} - V_{EN\_HYS}$ .

### Soft Start

When the ADP2360 is enabled, an internal current source supplies current ( $I_{SS}$ ) to the soft start capacitor ( $C_{SS}$ ) until it reaches approximately 1 V at startup. During this time,  $V_{SS}$  replaces the internal feedback reference for the feedback comparator. This reference rises at the same rate as  $V_{SS}$  to the 0.8 V regulation level. After  $V_{SS}$  reaches 0.8 V, the feedback voltage reference is switched to an 0.8 V internal reference. When  $V_{SS}$  reaches approximately 1 V, the SS pin is connected to an internal pull-down resistor and discharged to 0 V. See Figure 23 for a diagram showing the soft start time period and the behavior of the SS pin.

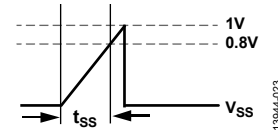


Figure 23. Soft Start Voltage Time Period

Calculate the soft start time using the following equation:

$$t_{SS} = \frac{C_{SS} \times 0.8 \text{ V}}{I_{SS}} \quad (1)$$

When the ADP2360 is disabled via the EN pin, a UVLO event, or a TSD event, the SS pin is reset. When the device is enabled or the condition causing the UVLO or TSD event is removed, the full soft start sequence occurs.

### Thermal Shutdown (TSD)

The ADP2360 includes an internal TSD protection circuit. If the junction temperature exceeds  $T_{SHDN}$ , the TSD disables switching and reduces the power dissipation in the device. While in thermal shutdown, the power PMOS and NMOS devices are turned off and the soft start capacitor,  $C_{SS}$ , is discharged to AGND. When the junction temperature decreases to  $T_{SHDN} - T_{HYS}$ , the ADP2360 initiates a soft start and resumes switching to regulate the output voltage.

### Undervoltage Lockout (UVLO)

The ADP2360 has an internal UVLO on the VIN pin. If the input voltage falls below the  $V_{UVLO\_FALLING}$  threshold, the ADP2360 is disabled. The ADP2360 does not resume operation until the input voltage rises above the  $V_{UVLO\_RISING}$  threshold.

### Power Good

The ADP2360 has an active high, internal, open-drain, 60 V, NMOS device connected to the power-good pin (PG) that is used as a flag to indicate the status of the output voltage. To configure the PG output, connect a pull-up resistor from PG to an external voltage rail. An internal current limit prevents damage to this pin.

When the feedback pin voltage ( $V_{FB}$ ) is less than  $V_{PG\_RISING}$ , the open-drain NMOS is on, and PG is pulled to ground. When the internal feedback voltage exceeds  $V_{PG\_RISING}$ , the open-drain NMOS turns off.

The PG pin has hysteresis to prevent glitching. The NMOS remains off until the internal feedback voltage falls below the  $V_{PG\_FALLING}$  threshold.

If EN is low or a TSD or UVLO event occurs, an internal discharge resistor is internally connected from the SW node to PGND. This resistor pulls the output voltage to ground when the regulator is disabled, even when there is no load on the output.

## APPLICATIONS INFORMATION

Compatible components for the step-down application circuits in Figure 24 and Figure 25 are identified using the guidelines in this section.

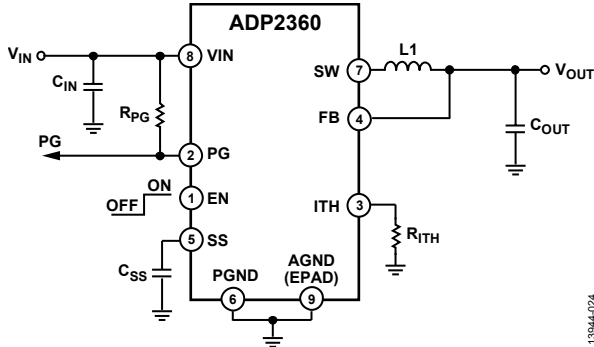


Figure 24. Typical Application Circuit Fixed Output Voltage

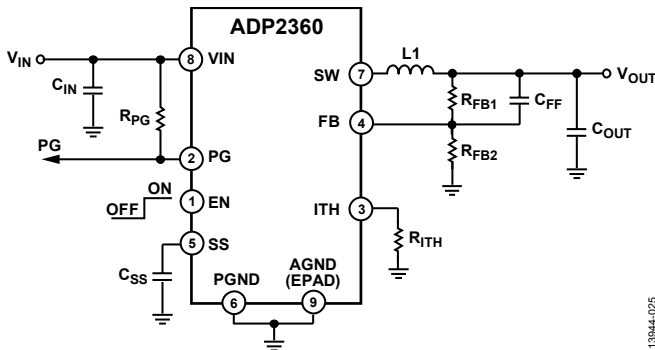


Figure 25. Typical Application Circuit Adjustable Output Voltage

### SETTING THE OUTPUT VOLTAGE

The ADP2360 is available with 3.3 V and 5.0 V fixed output voltage options. For the fixed options, an internal resistive feedback divider sets the output voltage and no external resistors are necessary, as shown in Figure 24.

The ADP2360 is also available with an adjustable output voltage and can be configured for output voltages between 0.8 V and V<sub>IN</sub>. Use the following equation to determine R<sub>FB1</sub> and R<sub>FB2</sub> for the desired V<sub>OUT</sub>:

$$V_{OUT} = \left(1 + \frac{R_{FB1}}{R_{FB2}}\right) \times V_{FB\_FALLING} \quad (2)$$

When using an external resistor divider, the optional feedforward capacitor C<sub>FF</sub> may be placed across R<sub>FB1</sub>.

### INPUT CAPACITOR SELECTION

An input capacitor must be placed between the VIN pin and PGND. Ceramic capacitors greater than or equal to 4.7 μF are recommended. The input capacitor reduces the input voltage ripple caused by the switching current. Place the input capacitor as close as possible to the VIN pin to reduce input voltage spikes. The voltage rating of the input capacitor must be greater than the maximum input voltage.

### ESTIMATING THE SWITCHING FREQUENCY

The ADP2360 switching frequency (f<sub>sw</sub>) can be estimated with the following equation:

$$f_{sw} \approx \frac{2 \times (V_{IN} - V_{OUT}) \times D \times I_{OUT}}{L \times I_{PEAK}^2} \quad (3)$$

where the duty cycle, D, is approximated by

$$D \approx \frac{V_{OUT}}{V_{IN}} \quad (4)$$

Note that the switching frequency changes in direct proportion to the output current. The maximum frequency can be controlled by the inductor value and the peak current control resistor R<sub>ITH</sub>.

### SETTING THE PEAK INDUCTOR CURRENT

The control method of the ADP2360 means that the maximum output current is slightly less than half of I<sub>PEAK</sub>. The peak current limit must be programmed to at least twice the desired maximum output current.

The value of the selected I<sub>PEAK</sub> current in the ADP2360 application affects the efficiency, switching frequency, and output voltage ripple. Larger I<sub>PEAK</sub> values tend to give improved efficiency. Using a smaller I<sub>PEAK</sub> value gives a higher switching frequency and reduced output voltage ripple.

The desired peak current limit (I<sub>PEAK</sub>) is programmed to a discrete value between 50 mA and 140 mA with an external resistor from ITH to AGND. This external resistor, R<sub>ITH</sub>, is chosen using the values in Table 5.

Table 5. Peak Inductor Current Settings

R <sub>ITH</sub> (kΩ)	I <sub>PEAK</sub> (mA)
Open	50
1500	60
825	70
576	80
453	90
365	100
287	120
0	140

The values given in Table 5 correspond to standard 1% E96 resistor values. A 1% tolerance resistor of the specified value must be used to ensure the correct I<sub>PEAK</sub> value is selected. The I<sub>PEAK</sub> value set by R<sub>ITH</sub> on the ITH pin is determined upon startup and is reset only if the device is disabled and reenabled using the EN pin or a VIN power cycle.

## INDUCTOR SELECTION

The value of the selected inductor in the [ADP2360](#) application affects the efficiency, switching frequency, and output voltage ripple. Larger value inductors tend to give improved efficiency although for a given package size, the increased DCR and core losses eventually dominate. Using a smaller value inductor gives a higher switching frequency and reduced output voltage ripple, but may decrease the overall efficiency due to increased switching losses.

The [ADP2360](#) is designed with an adjustable  $I_{PEAK}$  current limit that allows the designer to optimize the efficiency for the application operating conditions and reduce the required inductor size. Inductors in the 100  $\mu\text{H}$  to 600  $\mu\text{H}$  range are recommended.

Take care to select a compatible inductor with a sufficient current rating, saturation current, and low dc resistance. The current rating of the inductor must be greater than the maximum  $I_{PEAK}$  current limit set by the ITH pin, as specified in Table 1.

## OUTPUT CAPACITOR SELECTION

The output capacitor selection affects the output voltage ripple according to the following equation:

$$\Delta V_{OUT} = \frac{I_{OUT}}{C_{OUT} \times f_{SW}} \quad (5)$$

The [ADP2360](#) is designed for operation with ceramic capacitors, because these have a small footprint and low equivalent series resistance (ESR) values, giving the lowest output voltage ripple. An output capacitance of 10  $\mu\text{F}$  is suggested for most applications. This value can be increased to reduce output voltage ripple.

## DESIGN OPTIMIZATION

For designs where the highest efficiency is desired, set the  $I_{PEAK}$  level to the maximum and use a high value low dc resistance inductor (330  $\mu\text{H}$  to 470 $\mu\text{H}$  are recommended). These choices lead to a larger output voltage ripple that may be reduced with a larger value, low ESR output capacitor.

For designs where the highest switching frequency is desired, set  $I_{PEAK}$  to just above double the required maximum output current. Use a 100  $\mu\text{H}$  inductor with low dc resistance.

For designs where the lowest ripple is desired, set  $I_{PEAK}$  to just above double the required maximum output current. Use a 100  $\mu\text{H}$  inductor with low dc resistance and a large value, low ESR output capacitor.

## RECOMMENDED COMPONENTS

The components specified in Table 6 are recommended for operation across the full input voltage range. All typical performance characteristic data was measured using these components and the adjustable voltage option of the [ADP2360](#) with appropriately chosen feedback resistors to select the required output voltage.

**Table 6. Recommended Components**

Component	Value	Part Number	Manufacturer
COUT	10 $\mu\text{F}$ , 50 V	GRM32ER71H106KA12L	Murata
L1	100 $\mu\text{H}$	744043101	Würth
CIN	10 $\mu\text{F}$ , 100 V	C5750X7S2A106M230KB	TDK
CFF	10 pF, 50 V	GRM1885C1H100JA01D	Murata

## PCB LAYOUT CONSIDERATIONS

For high efficiency, good regulation, and stability with the [ADP2360](#), a well designed PCB is required. Poor layout can affect the [ADP2360](#) buck performance, causing electromagnetic interference (EMI), poor electromagnetic compatibility (EMC), ground bounce, and voltage losses.

Use the following guidelines when designing PCBs:

- Keep the low ESR input and output capacitors,  $C_{IN}$  and  $C_{OUT}$ , and the inductor,  $L1$ , as close as possible to the [ADP2360](#). Avoid long trace lengths from the device to the capacitors that add series inductance and may cause EMI issues or increased ripple.
- Keep  $R_{FB1}$ ,  $R_{FB2}$ , and  $C_{FF}$  as close as possible to the FB pin.
- Route the output voltage path away from the inductor and SW node to minimize noise and magnetic interference.
- Keep high current traces as short and as wide as possible.
- Avoid routing high impedance traces near any node connected to SW or near the inductor to prevent radiated noise injection.
- Use a ground plane with several vias connected to the component side ground to reduce noise interference on sensitive circuit nodes.
- Be aware that traces may carry up to 60 V and leave adequate separation between traces where necessary.
- Because up to 60 V may be present between the EPAD and device pins, the EPAD must be solder mask defined and reduced slightly in size to prevent the risk of bridging if the device is misaligned. To help ensure alignment during reflow processes, traces must exit the pads perpendicular to the device edge as shown in Figure 26. See the [AN-772 Application Note, A Design and Manufacturing Guide for the Lead Frame Chip Scale Package \(LFCSP\)](#), for further guidance on layout, footprint, and manufacturing.

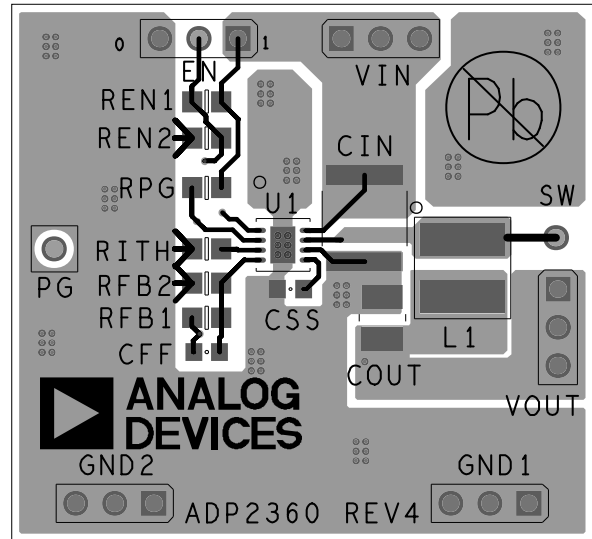


Figure 26. PCB Layout, Top

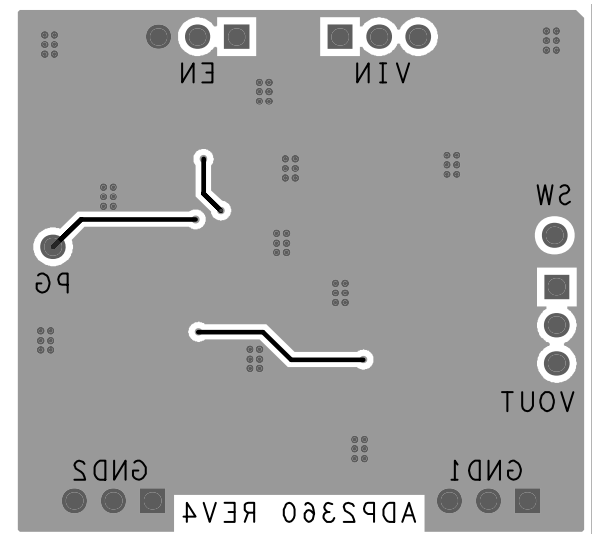


Figure 27. PCB Layout, Bottom

OUTLINE DIMENSIONS

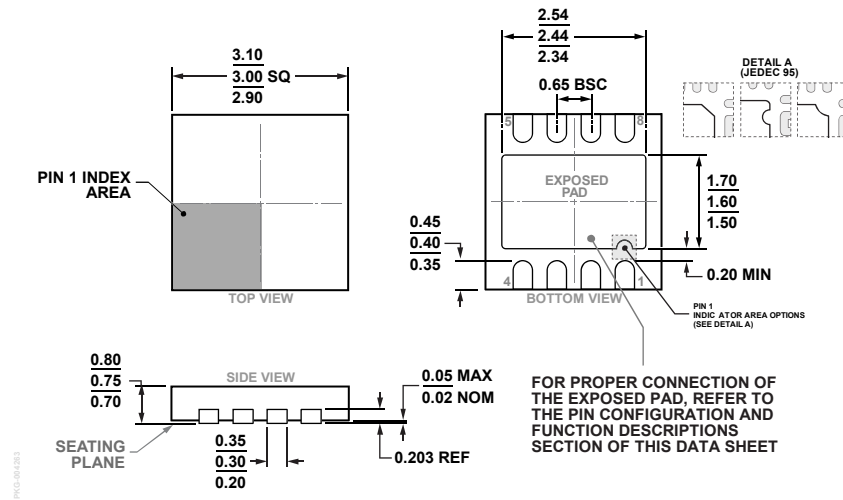


Figure 28. 8-Lead Lead Frame Chip Scale Package [LFCSP]  
 3 mm x 3 mm Body and 0.75 mm Package Height  
 (CP-8-19)  
 Dimensions shown in millimeters

ORDERING GUIDE

Model <sup>1</sup>	Output Voltage	Temperature Range	Package Description	Package Option	Branding
ADP2360ACPZ-R7	0.8 V to $V_{IN}$ adjustable	-40°C to +125°C	8-Lead Lead Frame Chip Scale Package [LFCSP]	CP-8-19	LTK
ADP2360ACPZ-3.3-R7	3.3 V fixed	-40°C to +125°C	8-Lead Lead Frame Chip Scale Package [LFCSP]	CP-8-19	LTH
ADP2360ACPZ-5.0-R7	5.0 V fixed	-40°C to +125°C	8-Lead Lead Frame Chip Scale Package [LFCSP]	CP-8-19	LTJ
ADP2360CP-EVALZ	0.8 V to $V_{IN}$ adjustable		Evaluation Board		

<sup>1</sup> Z = RoHS Compliant Part.