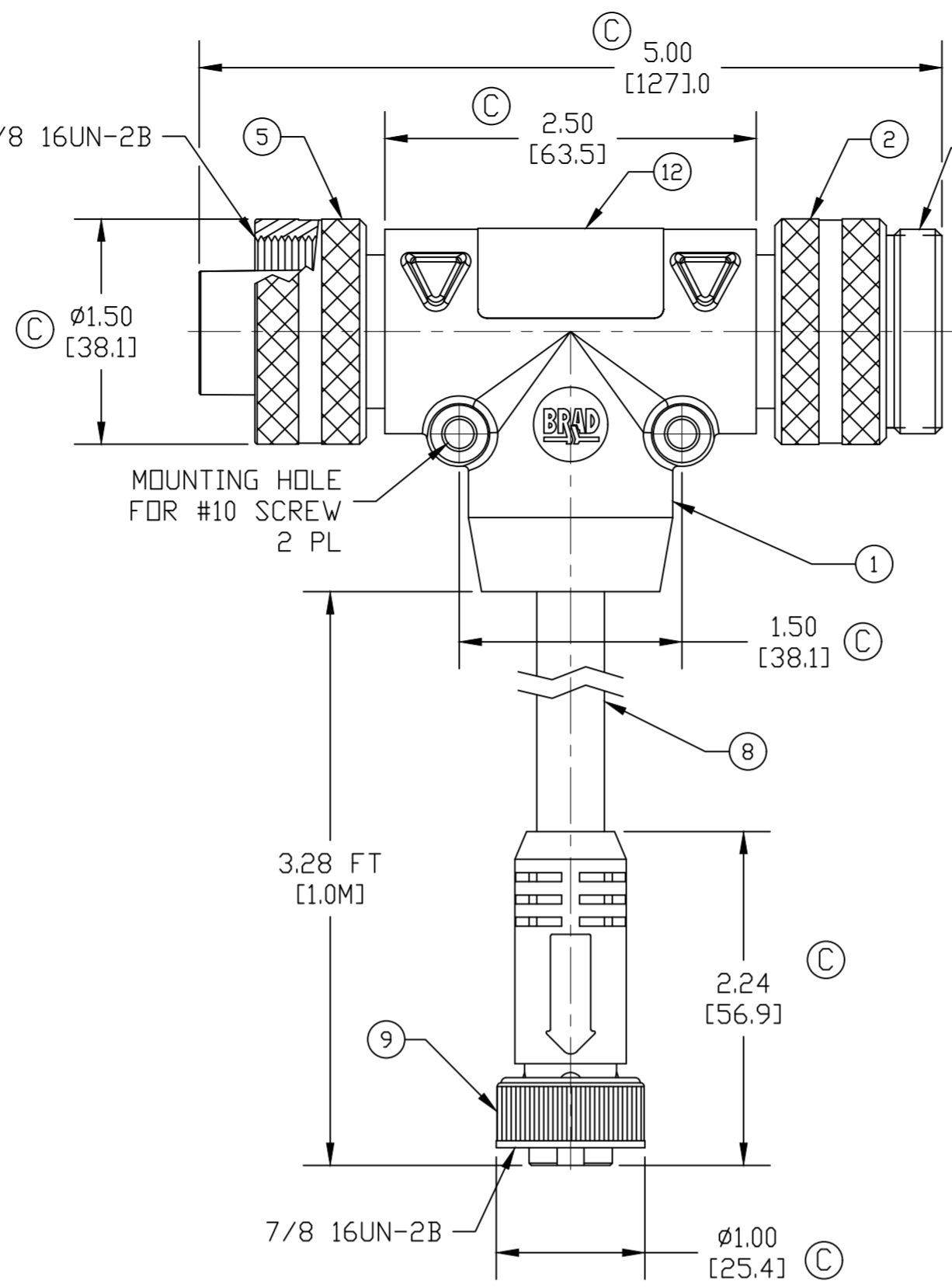
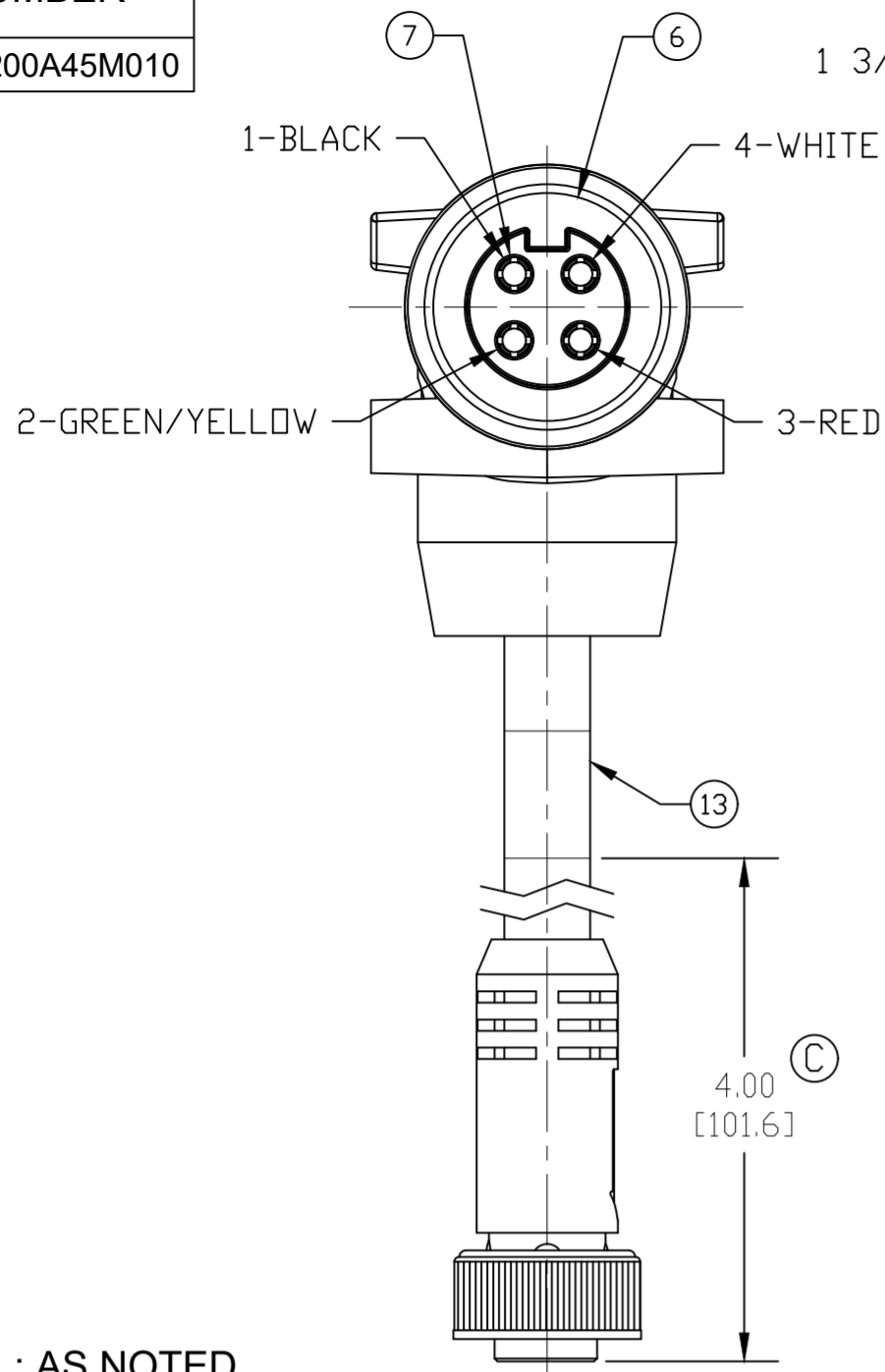
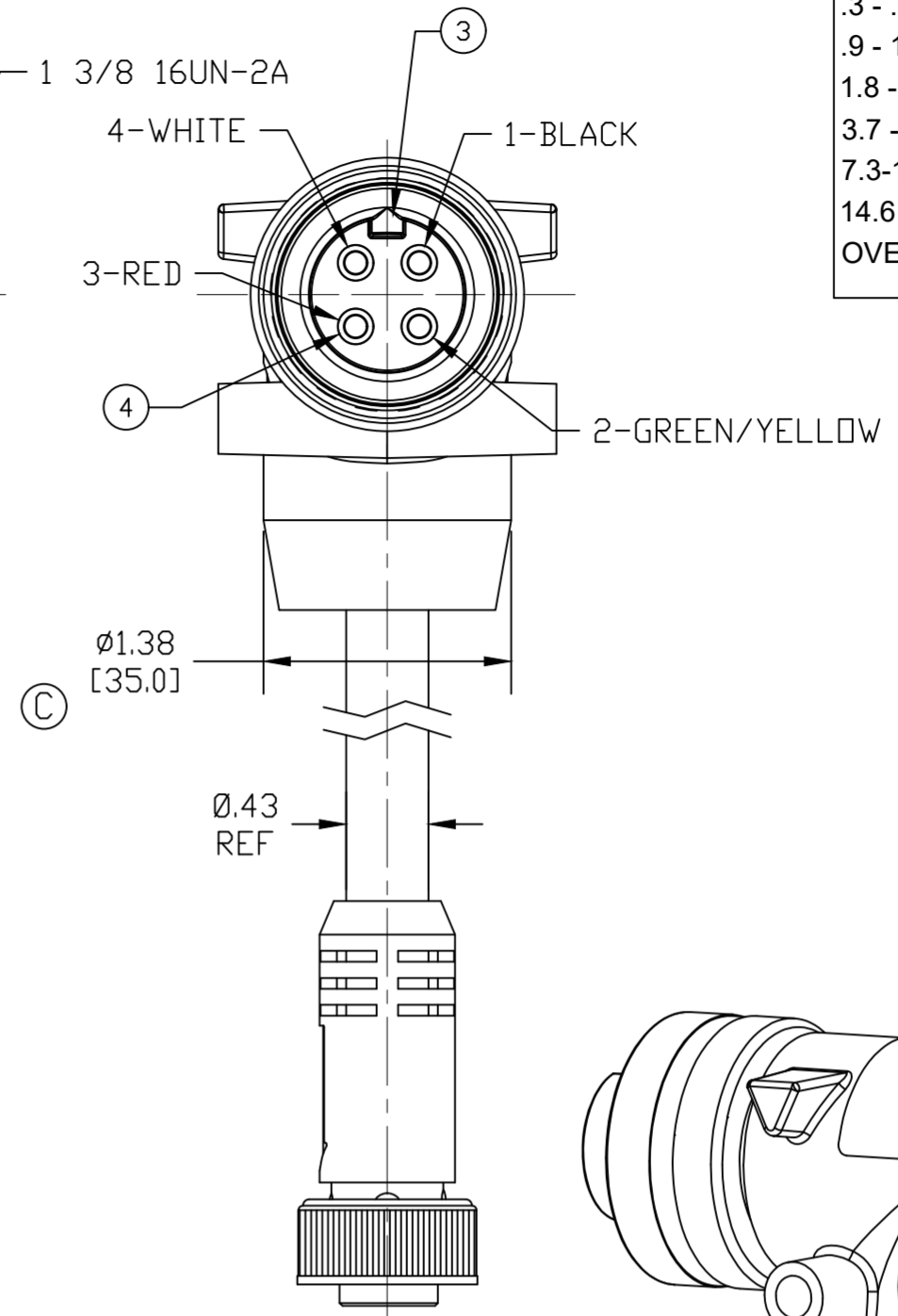


PART NUMBER	ENGINEERING NUMBER
1300680072	TC40200A45M010

QC FEMALE FEACE VIEW



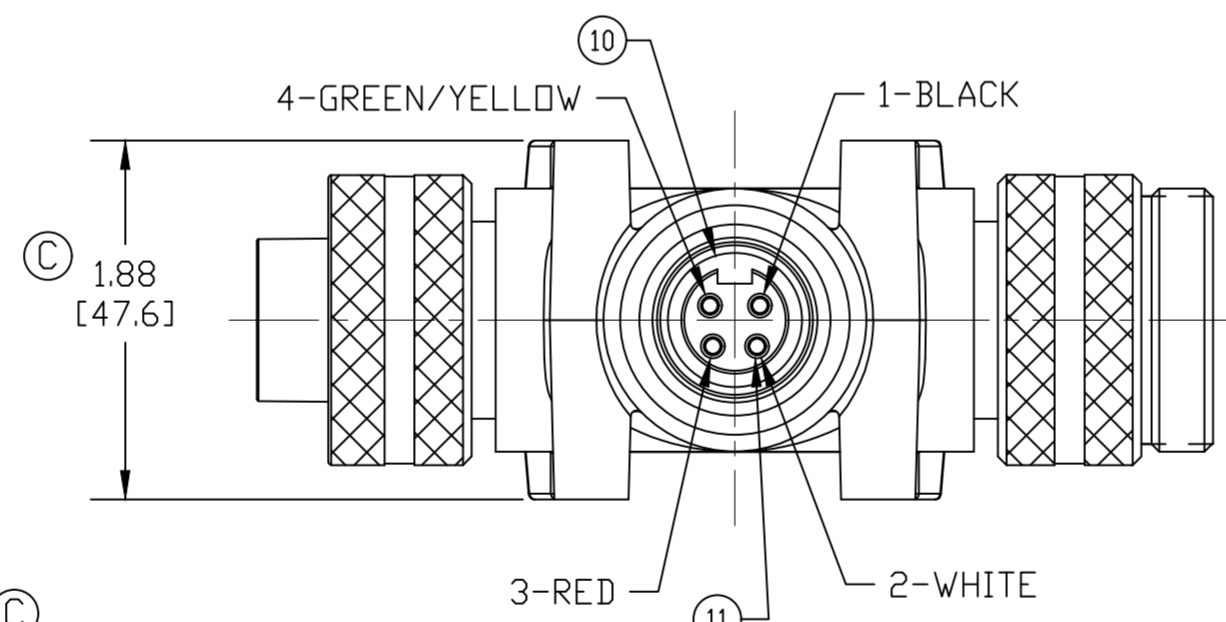
QC MALE FACE VIEW



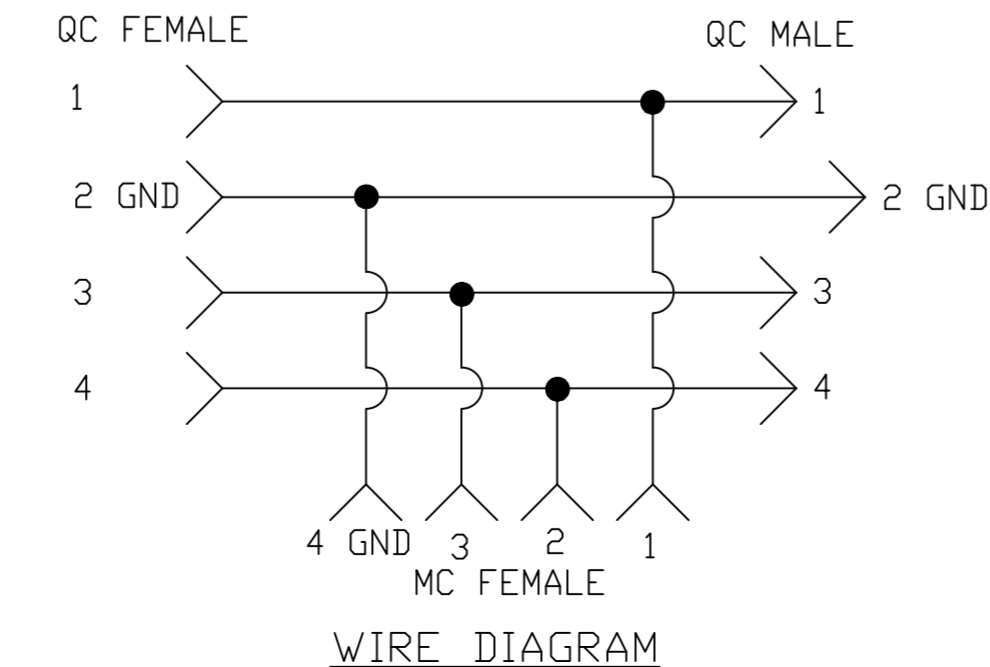
CABLE LENGTH TOLERANCES

<3M [1FT]	: +19mm-0 [+0.75in-0]
.3 - .9M [1 - 3FT]	: +44.5mm-0 [+1.75in-0]
.9 - 1.8M [3 - 6FT]	: +55.6mm-0 [+2.19in-0]
1.8 - 3.7M [6 - 12FT]	: +88.9mm-0 [+3.50in-0]
3.7 - 7.3M [12 - 24FT]	: +165.1mm-0 [+6.50in-0]
7.3-14.6M [24 - 48FT]	: +317.5mm-0 [+12.50in-0]
14.6 - 30.5M [48-100FT]	: +622.3mm-0 [+24.50in-0]
OVER 30M [100FT]	: +2% OF FINISHED LENGTH

- NOTES:
- MATERIAL: AS NOTED
 - FINISH: AS NOTED
 - ELECTRICAL:
VOLTAGE: 480V PER IEC60664
600V PER UL2237
MAX THRU CURRENT: 32A
MAX DROP CURRENT: 10A
 - TEMP RATING: -20° TO +90°C
 - PROTECTION: IP67 (WHEN MATED)
 - CERTIFICATION:
UL LISTED/CSA CERTIFIED FILE NO: E258922
 - DIMS SHOWN ARE FOR REFERENCE UNLESS TOLERANCED OR NOTED OTHERWISE



MC FEMALE FACE VIEW



13	WARNING LABEL (MC)	VINYL	BLACK/DRANGE
12	WARNING LABEL (TEE)	POLYESTER	BLACK/DRANGE
11	MC SOCKET CONTACT	COPPER ALLOY	GOLD PLATED
10	MC FEMALE INSERT	TPE	BLACK
9	MC COUPLING NUT	ZINC ALLOY	BLACK E-COAT
8	CABLE, 16AWG-3 TYPE TC-ER, STOOD	PVC	GRAY
7	QC SOCKET CONTACT	COPPER ALLOY	GOLD PLATED
6	QC FEMALE INSERT	TPE	BLACK
5	QC FEMALE COUPLING NUT	ALUMINUM	CLEAR ANODIZE
4	QC PIN CONTACT	COPPER ALLOY	GOLD PLATED
3	QC MALE INSERT	TPE	BLACK
2	QC MALE COUPLING NUT	ALUMINUM	CLEAR ANODIZE
1	OVERMOLD	TPE	GRAY
ITEM	DESCRIPTION	MATERIAL	FINISH

THIS DRAWING CONTAINS INFORMATION THAT IS PROPRIETARY TO MOLEX ELECTRONIC TECHNOLOGIES, LLC AND SHOULD NOT BE USED WITHOUT WRITTEN PERMISSION

FUNCTIONAL SYMBOLS	DIMENSION UNITS	SCALE	CURRENT REV DESC: INSERT AND O-MOLD CHANGED TO TPE, ADD NOTE 7, DIMS CHANGED TO IN/MM, ADD LENGTH TOLS ADD MC WARNING LABEL
$\nabla=0$	INCH/MM	NTS	
$\nabla=0$	GENERAL TOLERANCES (UNLESS SPECIFIED)		
$\nabla=0$	mm	INCH	
DIVISIONAL SYMBOLS	4 PLACES	\pm ----	EC NO: 690918
	3 PLACES	\pm ----	DRWN: RSTONE 2022/01/05
	2 PLACES	\pm ----	CHK'D: MZIELINSKI 2022/01/27
	1 PLACE	\pm ----	APPR: BWOODMAN 2022/02/02
	0 PLACES	\pm ----	INITIAL REVISION:
	ANGULAR TOL \pm ---- °		DRWN: KJOZWIK 2010/01/18
	DRAFT WHERE APPLICABLE MUST REMAIN WITHIN DIMENSIONS	THIRD ANGLE PROJECTION	APPR: JFMURPHY 2010/01/20

molex	
BRAD POWER M35 4 POLE TEE	
WITH MINI-CHANGE 4 POLE 16AWG CABLE DROP	
PRODUCT CUSTOMER DRAWING	
DOCUMENT NUMBER	DOC TYPE/DOC PART/REVISION
SD-130068-015	PSD 001 C
MATERIAL NUMBER	CUSTOMER
SEE P/N CHART	GENERAL MARKET
SHEET NUMBER	1 OF 1