

MSP-EXP430G2 LaunchPad™ Development Kit

The MSP-EXP430G2 LaunchPad development kit is an inexpensive and simple development kit for the MSP430G2xx Value Line series of microcontrollers. It is an easy way to start developing on the MSP430 MCUs with on-board emulation for programming and debugging as well as buttons and LEDs for a simple user interface.

Contents

1	Preface: Read This First	2
2	MSP-EXP430G2 LaunchPad™ Development Kit Overview	2
3	Installation	5
4	Getting Started With MSP-EXP430G2 LaunchPad™ Development Kit	6
5	Develop an Application With the MSP-EXP430G2 LaunchPad™ Development Kit	7
6	MSP-EXP430G2 Hardware	12
7	Suggested Reading	23
8	Frequently Asked Questions (FAQ).....	23

List of Figures

1	MSP-EXP430G2 LaunchPad Development Kit Overview	3
2	Insert Device Into Target Socket	7
3	Code Composer Studio™ v4 in Debugging Mode	8
4	MSP-EXP430G2 LaunchPad Development Kit With Attached eZ430-RF2500 Target Board.....	9
5	Device Pinout	12
6	Schematics, MSP-EXP430G2 Emulator (1 of 2), Revision 1.4	13
7	Schematics, MSP-EXP430G2 Emulator (2 of 2), Revision 1.4	14
8	Schematics, MSP-EXP430G2 Target Socket, Revision 1.4	15
9	Schematics, MSP-EXP430G2 Emulator (1 of 2), Revision 1.5	16
10	Schematics, MSP-EXP430G2 Emulator (2 of 2), Revision 1.5	17
11	Schematics, MSP-EXP430G2 Target Socket, Revision 1.5	18
12	Layout, MSP-EXP430G2 Top Layer.....	19
13	Layout, MSP-EXP430G2 Bottom Layer	20
14	Layout, MSP-EXP430G2 Silkscreen.....	21

List of Tables

1	Jumper Connection J3 Between Emulator and Target	8
2	eZ430™ Debugging Interface.....	9
3	Supported Devices	10
4	Features Supported by On-Board Emulator	12
5	Bill of Materials	22

Trademarks

MSP430, E2E, Code Composer Studio, LaunchPad, BoosterPack, eZ430 are trademarks of Texas Instruments.

IAR Embedded Workbench is a trademark of IAR Systems.

All other trademarks are the property of their respective owners.

1 Preface: Read This First

1.1 If You Need Assistance

If you have any feedback or questions, support for the MSP430™ MCUs and the MSP-EXP430G2 is provided by the TI Product Information Center (PIC) and the [TI E2E™ Forum](#). Contact information for the PIC can be found on the [TI website](#). Additional device-specific information can be found on the .

1.2 Related Documentation From TI

The primary sources of MSP430 information are the device-specific data sheets and user's guides available at the [website for MSP430 MCUs](#).

MSP430 MCU user's guides, application reports, software examples and other MSP430 MCU user's guides can be found at the Tech Docs section. The *Code Composer Studio™ v6.1 for MSP430 User's Guide* (SLAU157) includes detailed information on setting up a project and using Code Composer Studio (CCS) for the MSP430 microcontroller.

Information about MSP debug solutions, supported IDEs, debug probes, and target devices can be found in the *MSP Debuggers User's Guide* (SLAU647).

Information specific to the MSP-EXP430G2 LaunchPad™ development kit, all of the available IDEs, software libraries, and examples can be found in the [Technical Documents](#) and [Related Products](#) sections of the MSP-EXP430G2 page.

2 MSP-EXP430G2 LaunchPad™ Development Kit Overview

2.1 Overview

Rapid prototyping is simplified by the 20-pin BoosterPack™ plug-in module headers which support a wide range of available BoosterPack plug-in modules. You can quickly add features like wireless connectivity, graphical displays, environmental sensing, and much more. You can either design your own BoosterPack plug-in module or choose among many already available from TI and third-party developers.

The LaunchPad development kit features an integrated DIP target socket that supports up to 20 pins, allowing MSP430 Value Line devices to be plugged into the LaunchPad development kit. The MSP-EXP430G2 LaunchPad development kit comes with an MSP430G2553 MCU by default. The MSP430G2553 MCU has the most memory available of the compatible Value Line devices.

The MSP430G2553 16-bit MCU has 16KB of flash, 512 bytes of RAM, up to 16-MHz CPU speed, a 10-bit ADC, capacitive-touch enabled I/Os, universal serial communication interface, and more – plenty to get you started in your development.

Free software development tools are also available: TI's Eclipse-based Code Composer Studio™ IDE (CCS), IAR Embedded Workbench™ IDE (IAR), and the community-driven Energia open source code editor. More information about the LaunchPad development kit, including documentation and design files, can be found on the tool page at <http://www.ti.com/tool/msp-exp430g2>.

2.2 Features

MSP-EXP430G2 LaunchPad development kit features:

- USB debugging and programming interface featuring a driverless installation and application UART serial communication with up to 9600 Baud
- Supports MSP430G2xx2, MSP430G2xx3, and MSP430F20xx devices in PDIP14 or PDIP20 packages (see [Section 5.7](#) for a complete list of supported devices)
- Two general-purpose digital I/O pins connected to green and red LEDs for visual feedback
- Two push button for user feedback and device reset
- Easily accessible device pins for debugging purposes or as socket for adding customized extension boards
- High-quality 20-pin DIP socket for an easy plug-in or removal of the target device

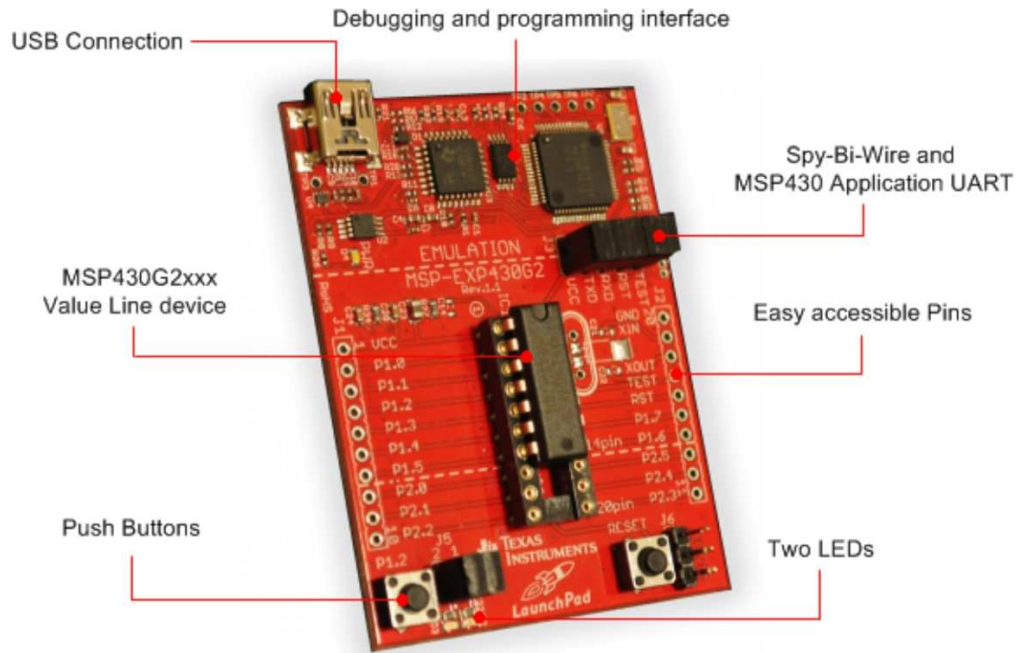


Figure 1. MSP-EXP430G2 LaunchPad Development Kit Overview

2.3 Kit Contents

The MSP-EXP430G2 development kit includes the following hardware:

- LaunchPad emulator socket board (MSP-EXP430G2)
- Mini USB-B cable, 0.5 m
- Two MSP430 flash-based MCUs
 - MSP430G2553: Low-power 16-bit MSP430 microcontroller with an 8-channel 10-bit ADC, on-chip comparator, touch-sense enabled I/Os, universal serial communication interface, 16kB flash memory, and 512 bytes of RAM (preloaded with a sample program)
 - MSP430G2452: Low-power 16-bit MSP430 microcontroller with an 8-channel 10-bit ADC, on-chip comparator, touch-sense enabled I/Os, universal serial interface, 8kB flash memory, and 256 bytes of SRAM
- Two 10-pin PCB connectors female
- 32.768-kHz clock crystal from Micro Crystal (<http://www.microcrystal.com>)
- Quick start guide
- Two LaunchPad development kit stickers

2.4 Revisions

The first production revision of the LaunchPad development kit in 2010 was 1.3. In 2012 the LaunchPad board revision changed from 1.4 to 1.5 to align with the new release of Value Line devices. The differences in the schematic and the kit contents are:

- Layout and Schematic:
 - Voltage feedback in the emulator changed to increase startup stability (Rev 1.3 to Rev 1.4)
 - Rearranged jumper J3 to support two UART configurations: vertical (SW UART), horizontal (HW UART)
 - VCC on the connector J4 can now be disconnected from the emulator VCC by J3
 - Pullup resistor R34 and capacitor C24 on P1.3 removed to reduce the current consumption
 - Presoldered male headers J1 and J2

3 Installation

Installation of the MSP-EXP430G2 LaunchPad development kit consists of three easy steps:

1. Download the required software.
2. Install the selected IDE.
3. Connect the LaunchPad to the PC.

Then the LaunchPad development kit is ready to develop applications or to use the pre-programmed demo application.

3.1 Download the Required Software

Different development software tools are available for the MSP-EXP430G2 LaunchPad development board. IAR Embedded Workbench KickStart IDE and Code Composer Studio (CCS) IDE are both available in a free limited version. IAR Embedded Workbench allows 4KB of C-code compilation. CCS is limited to a code size of 16KB. The software is available at <http://www.ti.com/mspds>. There are many other compilers and integrated development environments (IDEs) available to use with the MSP-EXP430 LaunchPad development kit including Rowley Crossworks and MSPGCC. However, example projects have been created using IAR Embedded Workbench KickStart IDE and Code Composer Studio IDE (CCS). For more information on the supported software and the latest code examples, visit the LaunchPad development kit tool page (<http://www.ti.com/tool/msp-exp430g2>).

3.2 Install the Software

Download one of the integrated development environments (IDEs) (see [Section 3.1](#)). IAR KickStart and CCS offer the required driver support to work with the MSP-EXP430 LaunchPad development kit onboard emulation. Once installed, the IDE should find the MSP-EXP430G2 LaunchPad development kit as USB:HID debugging interface. Now all is set for developing MSP430G2xx based application on the LaunchPad development kit.

3.3 Install the Hardware

Connect the MSP-EXP430G2 LaunchPad socket board with the enclosed USB cable to a PC. The driver installation starts automatically. If prompted for software, allow Windows to install the software automatically. This is possible only if either IAR KickStart or CCS is already installed.

4 Getting Started With MSP-EXP430G2 LaunchPad™ Development Kit

4.1 Getting Started

The first time the MSP-EXP430G2 LaunchPad development kit is used, a demo application automatically starts as soon as the board is powered from the USB host. To start the demo, connect the MSP-EXP430G2 LaunchPad development kit with the included mini USB cable to a free USB port. The demo application starts with an LED toggle to show the device is active. More information about the demo application can be found in [Section 4.2](#).

4.2 Demo Application, Internal Temperature Measurement

The LaunchPad development kit includes a pre-programmed MSP430G2553 device already installed in the target socket. When LaunchPad development kit is connected via USB, the demo starts with an LED toggle sequence. The onboard emulation generates the supply voltage and all the signals necessary to start.

Press button P1.3 to switch the application to a temperature measurement mode. A reference temperature is taken at the beginning of this mode, and the LEDs of the LaunchPad development kit signal a rise or fall in temperature by varying the brightness of the on-board red or green LED, respectively. The reference temperature can also be recalibrated with another button press on P1.3. The collected temperature data is also communicated via back-channel UART through the USB emulation circuitry back to the PC. The internal temperature sensor data from the MSP430G2553 device is sent to the PC to be displayed on the GUI. The pre-loaded demo application and the GUI are found in the Software Examples zip folder. The GUI is opened with LaunchPad_Temp_GUI.exe. This GUI is made with Processing (<http://processing.org>) with the source available for customization. The serial communication port on the PC must be configured with 2400 bps, one stop bit, and no flow control to display the values correctly.

The demo application uses the on-chip peripherals of the MSP430G2553 device such as the 10-bit ADC, which samples the internal temperature sensor, and 16-bit timers, which drive the PWM to vary brightness of the LEDs and enable software UART for communication with the PC. The MSP430G2553 offers a USCI interface that is capable of communicating through UART at up to 2 MBaud, but to be aligned with all the other MSP430G2xx devices, the demo uses the Timer UART implementation, which can be used on all the other devices. This way the demo can be used with any other MSP430G2xx device with an integrated ADC, without any change in the program.

The provided applications can be a great starting point for various custom applications and give a good overview of the various applications of the MSP430G2xx Value Line devices.

5 Develop an Application With the MSP-EXP430G2 LaunchPad™ Development Kit

5.1 Developing an Application

The integrated development environments (IDEs) shown in [Section 3](#) offer support for the whole MSP430G2xx Value Line. The MSP-EXP430G2 LaunchPad development kit needs only a connection to the USB of the Host PC—there is no external hardware required. The power supply and the Spy-Bi-Wire JTAG signals TEST and RST must be connected with jumper J3 to allow the onboard emulation connection to the device. Now the preferred device can be plugged into the DIP target socket of the LaunchPad development kit (see [Figure 2](#)). Both PDIP14 and PDIP20 devices of the MSP430G2xx Value Line and the MSP430F20xx family can be inserted into the DIP socket aligned to pin 1. A complete list of supported devices can be found in [Section 5.7](#).

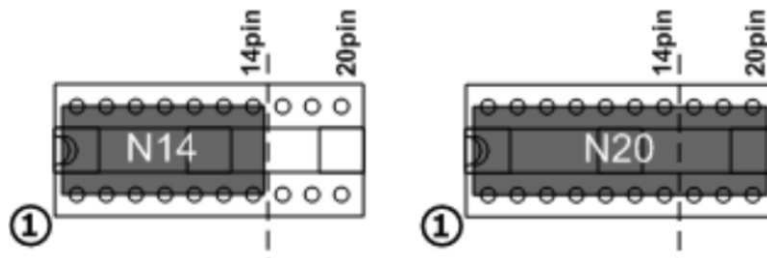


Figure 2. Insert Device Into Target Socket

The following example for Code Composer Studio shows how to download and debug the demo application described in [Section 4.2](#).

5.2 Program and Debug the Temperature Measurement Demo Application

The source code of the demo application can be found in the [Software Examples](#) zip folder. Download the project folder and unpack it to a location of your choice. For this demo, Code Composer Studio v4 or newer must be installed.

The demo application can be loaded to the CCS workspace by clicking File→Import. Select the location of the extracted project files and import Existing projects into Workspace. Now the MSP-EXP430G2-Launchpad project appears inside the CCS workspace. The project must be marked as the active project to start programming and debugging the device.

Connect the LaunchPad development kit with an inserted MSP430G2553 device to the host PC and click the Debug button on the CCS Toolbar. The MSP-EXP430G2 LaunchPad development kit is initialized and the download of the compiled demo application starts. The CCS view switches to a debugging interface once the download is completed and the application is ready to start. [Figure 3](#) shows Code Composer Studio v4 with the MSP-EXP430G2 LaunchPad development kit demo application in debug view.

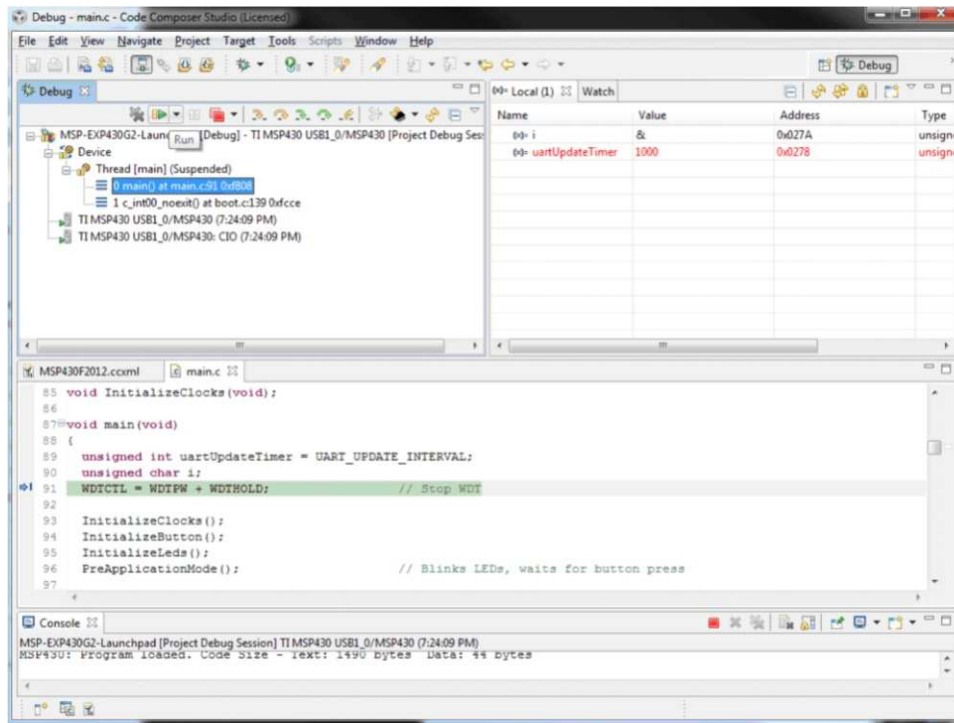


Figure 3. Code Composer Studio™ v4 in Debugging Mode

5.3 Disconnect Emulator From Target With Jumper J3

The connection between the MSP-EXP430G2 emulator and the attached target device can be opened with the jumper array J3. This can be useful to access an attached eZ430™ target board by disconnecting the Spi-Bi-Wire JTAG lines RST and TEST or if the JTAG lines are used for other application purposes. The jumper array can also be used to measure the power consumption of the LaunchPad development kit application. For this intention, all connections except VCC must be opened, and a multi meter can be used on the VCC Jumper to measure the current of the MSP-EXP430G2 target device and its peripherals. The jumper J5 VCC also must be opened if the LaunchPad development kit is powered with an external power supply over J6 Table 1 or the eZ430 interface J4.

NOTE: The assignment of jumper J3 has been changed in MSP-EXP430G2 revision 1.5, see the comments in Table 1 to find the assignment for a specific board revision.

Table 1. Jumper Connection J3 Between Emulator and Target

Jumper	Signal	Description
1	VCC	Target socket power supply voltage (power consumption test jumper) (located on 5 before Rev. 1.5)
2	TEST	Test mode for JTAG pins or Spy-Bi-Wire test clock input during programming and test (located on 1 before Rev. 1.5)
3	RST	Reset or Spy-Bi-Wire test data input/output during programming and test (located on 2 before Rev. 1.5)
4	RXD	UART receive data input (direction can be selected by jumper orientation) (located on 3 before Rev. 1.5)
5	TXD	UART transmit data output (direction can be selected by jumper orientation) (located on 4 before Rev. 1.5)

Jumpers 4 and 5 connect the UART interface of the emulator to the target device pins P1.1 and P1.2. These jumpers can be used to select between a software (SW) UART or a hardware (HW) UART by their orientation. In vertical orientation (SW UART), the jumpers connect the emulation TXD signal to target P1.2 and the emulation RXD signal to target P1.1, as they are used for the software UART communication on the demo application (see Section 3.2). In horizontal orientation (HW UART), the jumpers connect the

emulator TXD signal to target P1.1 and the emulator RXD to target P1.2, as required for the USCI module. Keep in mind that UART communication is full duplex, so connections are made for both transmit and receive on each side, and the labeling is specific to what action each side of the UART bus is performing. For example, the emulator TXD (transmit) signal connects to the target RXD (receive) signal, and the emulator RXD signal connects to the target TXD signal.

5.4 Program Connected eZ430™ Target Boards

The MSP-EXP430G2 LaunchPad development kit can program the eZ430-RF2500T target boards, the eZ430-Chronos watch module, or the eZ430-F2012T/F2013T. To connect one of the ez430 targets, connector J4 must be populated with a 0.050-in (1.27-mm) pitch male header, as shown in [Figure 4](#).

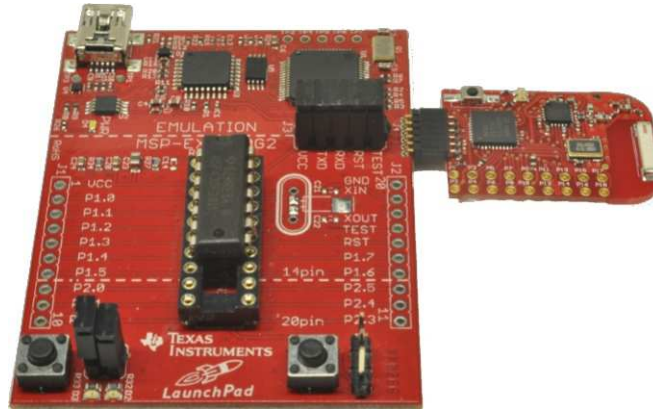


Figure 4. MSP-EXP430G2 LaunchPad Development Kit With Attached eZ430-RF2500 Target Board

To program the attached target without interfering with the socket board of the LaunchPad development kit, jumper connections TEST and RST of J3 must be open. The interface to the eZ430 target board is always connected to the MSP-EXP430G2 emulator, so the programming and debugging of a target device connected to the LaunchPad development kit is possible only if the eZ430 target is not connected on the same time. The application UART, on the other hand, is connected directly to the target device on the LaunchPad development kit, and jumper J3 can be closed to monitor the transmission from the LaunchPad target to the attached eZ430. This way both possible connections, from the device to the PC and from the device to the eZ430, can be established without changing the direction of the UART pins.

The VCC connection to the eZ430 interface is directly connected to the target VCC of the LaunchPad development kit and can be separated with jumper J3, if the LaunchPad development kit itself should be powered from a connected battery on J4. To supply the eZ430 interface with the onboard emulator, close jumper J3 VCC.

[Table 2](#) shows the pinout of the eZ430 debugging interface J4, the first pin is the left pin located on the emulator part of the LaunchPad development kit.

Table 2. eZ430™ Debugging Interface

Pin	Signal	Description
1	TXD	UART transmit data output (UART communication from PC or MSP430G2xx to eZ430 target board)
2	VCC	Power supply voltage (J3 VCC needs to be closed to supply via onboard emulator)
3	TEST / SBWTCK	Test mode for JTAG pins and Spy-Bi-Wire test clock input during programming and test
4	RST / SBWTDIO	Reset, Spy-Bi-Wire test data input/output during programming and test
5	GND	Power supply ground
6	RXD	UART receive data input (UART communication from eZ430 target board to PC or MSP430G2xx)

5.5 Connecting a Crystal Oscillator

The MSP-EXP430G2 LaunchPad development kit offers a footprint for a variety of crystal oscillators. The XIN and XOUT signals of the LFXT1 oscillator can support low-frequency oscillators like a watch crystals of 32768 Hz or a standard crystal with a range defined in the associated data sheet. The signal lines XIN and XOUT can also be used as multipurpose I/Os or as a digital frequency input. More information on the possibilities of the low-frequency oscillator and the possible crystal selection can be found in the *MSP430x2xx Family User's Guide (SLAU144)* or the device-specific data sheet.

The oscillator signals are connected to J2 to use the signals on an attached application board. In case of signal distortion of the oscillator signals that leads to a fault indication at the basic clock module, resistors R29 and R28 can be used to disconnect the pin header J2 from the oscillating lines.

5.6 Connecting a BoosterPack™ Plug-in Module

The LaunchPad development kit can connect to many BoosterPack plug-in modules within the ecosystem. Headers J1 and J2 of the BoosterPack plug-in module, along with power supply J6, fall on a 100-mil (0.1-in) grid to allow for easy and inexpensive development with a breadboard. The LaunchPad development kit adheres to the 20-pin LaunchPad development kit pinout standard. A standard was created to aid compatibility between LaunchPad development kits and BoosterPack plug-in modules across the TI ecosystem.

The 20-pin standard is backward compatible with the 40-pin standard used by LaunchPad development kits like the [MSP-EXP430F5529LP](#). This allows a subset of some 40-pin BoosterPack plug-in modules to be used with 20-pin LaunchPad development kits.

While most BoosterPack plug-in modules are compliant with the standard, some are not. The LaunchPad development kit is compatible with all 20-pin (and 40-pin) BoosterPack plug-in modules that are compliant with the standard. If the reseller or owner of the BoosterPack plug-in module does not explicitly indicate compatibility with the MSP430G2 LaunchPad development kit, compare the schematic of the candidate BoosterPack plug-in module with the LaunchPad development kit to ensure compatibility. Keep in mind that sometimes conflicts can be resolved by changing the G2 device pin function configuration in software. More information about compatibility can also be found at <http://www.ti.com/launchpad>.

5.7 Supported Devices

TI offers several MSP430 MCUs in a PDIP package that are compatible with this LaunchPad development kit. [Table 3](#) shows the supported devices.

Table 3. Supported Devices

Part Number	Family	Description
MSP430F2001	F2xx	16-bit Ultra-Low-Power Microcontroller, 1KB Flash, 128B RAM, Comparator
MSP430F2002	F2xx	16-bit Ultra-Low-Power Microcontroller, 1KB Flash, 128B RAM, 10-Bit SAR A/D, USI for SPI/I ² C
MSP430F2003	F2xx	16-bit Ultra-Low-Power Microcontroller, 1KB Flash, 128B RAM, 16-Bit Sigma-Delta A/D, USI for SPI/I ² C
MSP430F2011	F2xx	16-bit Ultra-Low-Power Microcontroller, 2KB Flash, 128B RAM, Comparator
MSP430F2012	F2xx	16-bit Ultra-Low-Power Microcontroller, 2KB Flash, 128B RAM, 10-Bit SAR A/D, USI for SPI/I ² C
MSP430F2013	F2xx	16-bit Ultra-Low-Power Microcontroller, 2KB Flash, 128B RAM, 16-Bit Sigma-Delta A/D, USI for SPI/I ² C
MSP430G2001	G2xx	16-bit Ultra-Low-Power Microcontroller, 512B Flash, 128B RAM
MSP430G2101	G2xx	16-bit Ultra-Low-Power Microcontroller, 1KB Flash, 128B RAM
MSP430G2111	G2xx	16-bit Ultra-Low-Power Microcontroller, 1KB Flash, 128B RAM, Comparator
MSP430G2121	G2xx	16-bit Ultra-Low-Power Microcontroller, 1KB Flash, 128B RAM, USI for SPI/I ² C
MSP430G2131	G2xx	16-bit Ultra-Low-Power Microcontroller, 1KB Flash, 128B RAM, 10-Bit SAR A/D, USI for SPI/I ² C
MSP430G2201	G2xx	16-bit Ultra-Low-Power Microcontroller, 2KB Flash, 128B RAM
MSP430G2211	G2xx	16-bit Ultra-Low-Power Microcontroller, 2KB Flash, 128B RAM, Comparator
MSP430G2221	G2xx	16-bit Ultra-Low-Power Microcontroller, 2KB Flash, 128B RAM, USI for SPI/I ² C
MSP430G2231	G2xx	16-bit Ultra-Low-Power Microcontroller, 2KB Flash, 128B RAM, 10-Bit SAR A/D, USI for SPI/I ² C
MSP430G2102	G2xx	16-bit Ultra-Low-Power Microcontroller, 1KB Flash, 256B RAM, USI for SPI/I ² C, 16 Capacitive-Touch Enabled I/O Pins

Table 3. Supported Devices (continued)

Part Number	Family	Description
MSP430G2202	G2xx	16-bit Ultra-Low-Power Microcontroller, 2KB Flash, 256B RAM, USI for SPI/I ² C, 16 Capacitive-Touch Enabled I/O Pins
MSP430G2302	G2xx	16-bit Ultra-Low-Power Microcontroller, 4KB Flash, 256B RAM, USI for SPI/I ² C, 16 Capacitive-Touch Enabled I/O Pins
MSP430G2402	G2xx	16-bit Ultra-Low-Power Microcontroller, 8KB Flash, 256B RAM, USI for SPI/I ² C, 16 Capacitive-Touch Enabled I/O Pins
MSP430G2112	G2xx	16-bit Ultra-Low-Power Microcontroller, 1KB Flash, 256B RAM, Comparator, USI for SPI/I ² C, 16 Capacitive-Touch Enabled I/O Pins
MSP430G2212	G2xx	16-bit Ultra-Low-Power Microcontroller, 2KB Flash, 256B RAM, Comparator, USI for SPI/I ² C, 16 Capacitive-Touch Enabled I/O Pins
MSP430G2312	G2xx	16-bit Ultra-Low-Power Microcontroller, 4KB Flash, 256B RAM, Comparator, USI for SPI/I ² C, 16 Capacitive-Touch Enabled I/O Pins
MSP430G2412	G2xx	16-bit Ultra-Low-Power Microcontroller, 8KB Flash, 256B RAM, Comparator, USI for SPI/I ² C, 16 Capacitive-Touch Enabled I/O Pins
MSP430G2132	G2xx	16-bit Ultra-Low-Power Microcontroller, 1KB Flash, 256B RAM, 10-Bit SAR A/D, USI for SPI/I ² C, 16 Capacitive-Touch Enabled I/O Pins
MSP430G2232	G2xx	16-bit Ultra-Low-Power Microcontroller, 2KB Flash, 256B RAM, 10-Bit SAR A/D, USI for SPI/I ² C, 16 Capacitive-Touch Enabled I/O Pins
MSP430G2332	G2xx	16-bit Ultra-Low-Power Microcontroller, 4KB Flash, 256B RAM, 10-Bit SAR A/D, USI for SPI/I ² C, 16 Capacitive-Touch Enabled I/O Pins
MSP430G2432	G2xx	16-bit Ultra-Low-Power Microcontroller, 8KB Flash, 256B RAM, 10-Bit SAR A/D, USI for SPI/I ² C, 16 Capacitive-Touch Enabled I/O Pins
MSP430G2152	G2xx	16-bit Ultra-Low-Power Microcontroller, 1KB Flash, 256B RAM, 10-Bit SAR A/D, Comparator, USI for SPI/I ² C, 16 Capacitive-Touch Enabled I/O Pins
MSP430G2252	G2xx	16-bit Ultra-Low-Power Microcontroller, 2KB Flash, 256B RAM, 10-Bit SAR A/D, Comparator, USI for SPI/I ² C, 16 Capacitive-Touch Enabled I/O Pins
MSP430G2352	G2xx	16-bit Ultra-Low-Power Microcontroller, 4KB Flash, 256B RAM, 10-Bit SAR A/D, Comparator, USI for SPI/I ² C, 16 Capacitive-Touch Enabled I/O Pins
MSP430G2452	G2xx	16-bit Ultra-Low-Power Microcontroller, 8KB Flash, 256B RAM, 10-Bit SAR A/D, Comparator, USI for SPI/I ² C, 16 Capacitive-Touch Enabled I/O Pins
MSP430G2153	G2xx	16-bit Ultra-Low-Power Microcontroller, 1KB Flash, 256B RAM, 10-Bit SAR A/D, Comparator, USCI for I ² C/SPI/UART, 24 Capacitive-Touch Enabled I/O Pins
MSP430G2203	G2xx	16-bit Ultra-Low-Power Microcontroller, 2KB Flash, 256B RAM, Comparator, USCI for I ² C/SPI/UART, 24 Capacitive-Touch Enabled I/O Pins
MSP430G2313	G2xx	16-bit Ultra-Low-Power Microcontroller, 2KB Flash, 256B RAM, Comparator, USCI for I ² C/SPI/UART, 24 Capacitive-Touch Enabled I/O Pins
MSP430G2333	G2xx	16-bit Ultra-Low-Power Microcontroller, 2KB Flash, 256B RAM, 10-Bit SAR A/D, Comparator, USCI for I ² C/SPI/UART, 24 Capacitive-Touch Enabled I/O Pins
MSP430G2353	G2xx	16-bit Ultra-Low-Power Microcontroller, 2KB Flash, 256B RAM, 10-Bit SAR A/D, Comparator, USCI for I ² C/SPI/UART, 24 Capacitive-Touch Enabled I/O Pins
MSP430G2403	G2xx	16-bit Ultra-Low-Power Microcontroller, 8KB Flash, 512B RAM,, Comparator, USCI for I ² C/SPI/UART, 24 Capacitive-Touch Enabled I/O Pins
MSP430G2413	G2xx	16-bit Ultra-Low-Power Microcontroller, 8KB Flash, 512B RAM, Comparator, USCI for I ² C/SPI/UART, 24 Capacitive-Touch Enabled I/O Pins
MSP430G2433	G2xx	16-bit Ultra-Low-Power Microcontroller, 8KB Flash, 512B RAM, 10-Bit SAR A/D, Comparator, USCI for I ² C/SPI/UART, 24 Capacitive-Touch Enabled I/O Pins
MSP430G2453	G2xx	16-bit Ultra-Low-Power Microcontroller, 8KB Flash, 512B RAM, 10-Bit SAR A/D, Comparator, USCI for I ² C/SPI/UART, 24 Capacitive-Touch Enabled I/O Pins
MSP430G2513	G2xx	16-bit Ultra-Low-Power Microcontroller, 16KB Flash, 512B RAM, Comparator, USCI for I ² C/SPI/UART, 24 Capacitive-Touch Enabled I/O Pins
MSP430G2533	G2xx	16-bit Ultra-Low-Power Microcontroller, 16KB Flash, 512B RAM, 10-Bit SAR A/D, Comparator, USCI for I ² C/SPI/UART, 24 Capacitive-Touch Enabled I/O Pins
MSP430G2553	G2xx	16-bit Ultra-Low-Power Microcontroller, 16KB Flash, 512B RAM, 10-Bit SAR A/D, Comparator, USCI for I ² C/SPI/UART, 24 Capacitive-Touch Enabled I/O Pins

5.8 MSP-EXP430G2 On-Board Emulator

The MSP-EXP430G2 on-board emulator enables programming and debugging of supported MSP430 MCUs (see Section 5.7). It offers several features that are enabled by a 2-wire JTAG interface called Spy-Bi-Wire. For a more feature-complete emulator, the MSP-FET430UIF flash emulation tool may be more appropriate. See Table 4 for more details on the on-board emulator of the MSP-EXP430G2 LaunchPad development kit.

Table 4. Features Supported by On-Board Emulator

Feature	Support by MSP-EXP430G2 LaunchPad™ Development Kit
Supports MSP430F20xx, F21x2, F22xx, G2x01, G2x11, G2x21, G2x31, G2x53	✓
Allows fuse blow	
Adjustable target supply voltage	
Fixed 2.8-V target supply voltage	
Fixed 3.6-V target supply voltage	✓
4-wire JTAG	
2-wire JTAG	✓
Application UART	✓
Supported by CCS	✓
Supported by IAR	✓

6 MSP-EXP430G2 Hardware

6.1 Device Pinout

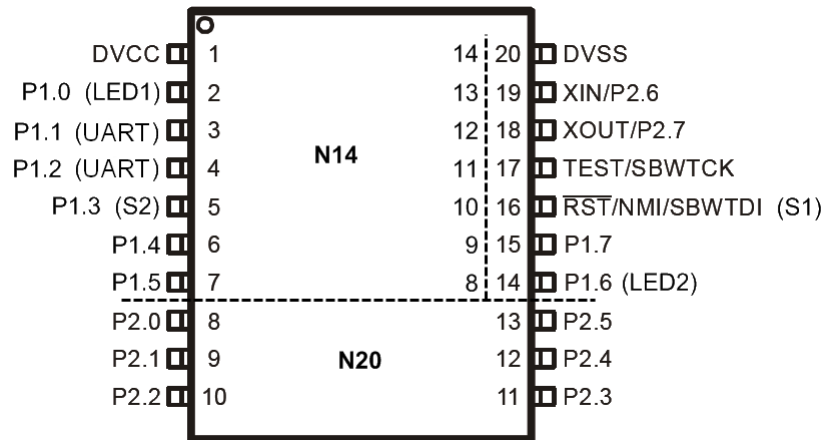


Figure 5. Device Pinout

6.2 Schematics

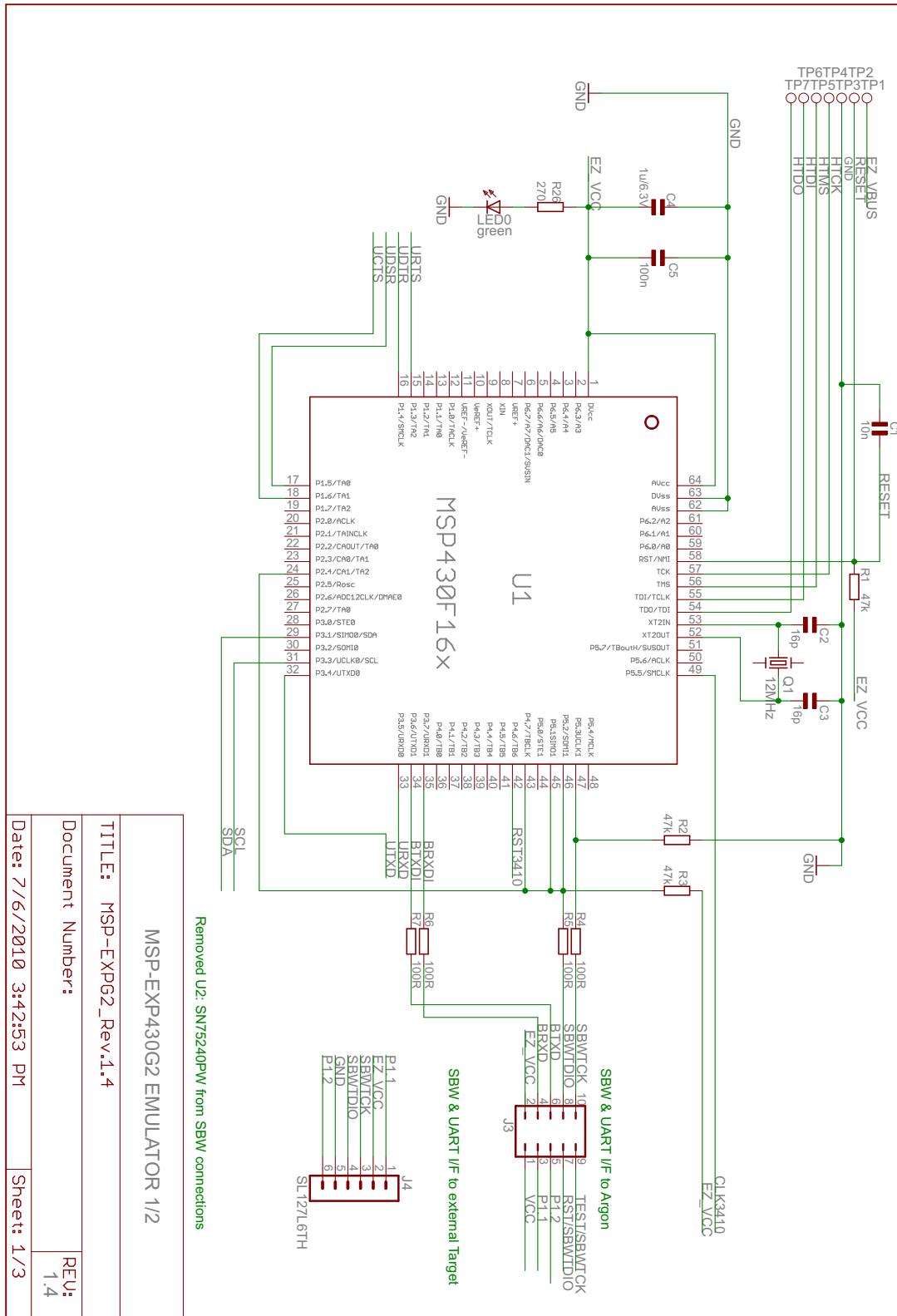


Figure 6. Schematics, MSP-EXP430G2 Emulator (1 of 2), Revision 1.4

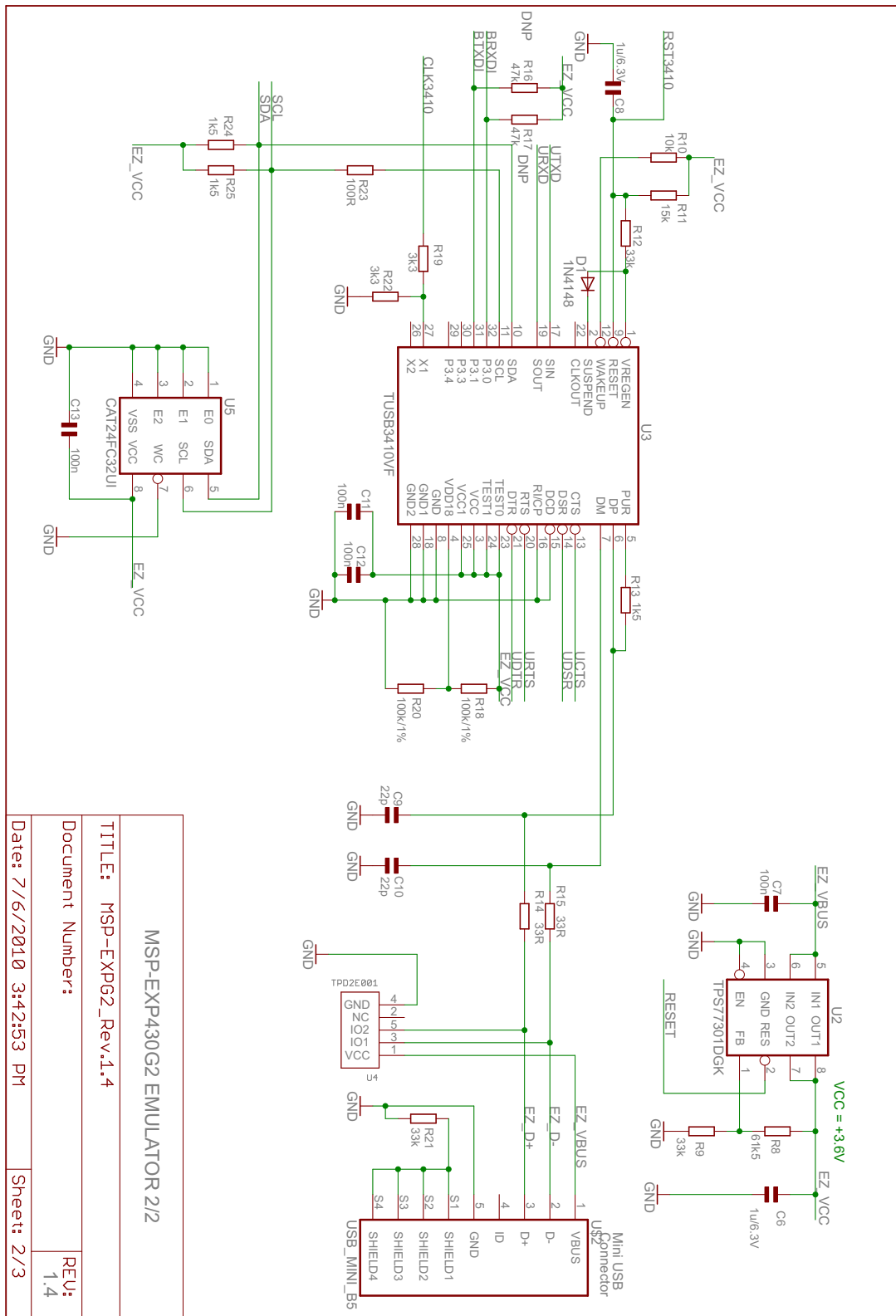


Figure 7. Schematics, MSP-EXP430G2 Emulator (2 of 2), Revision 1.4

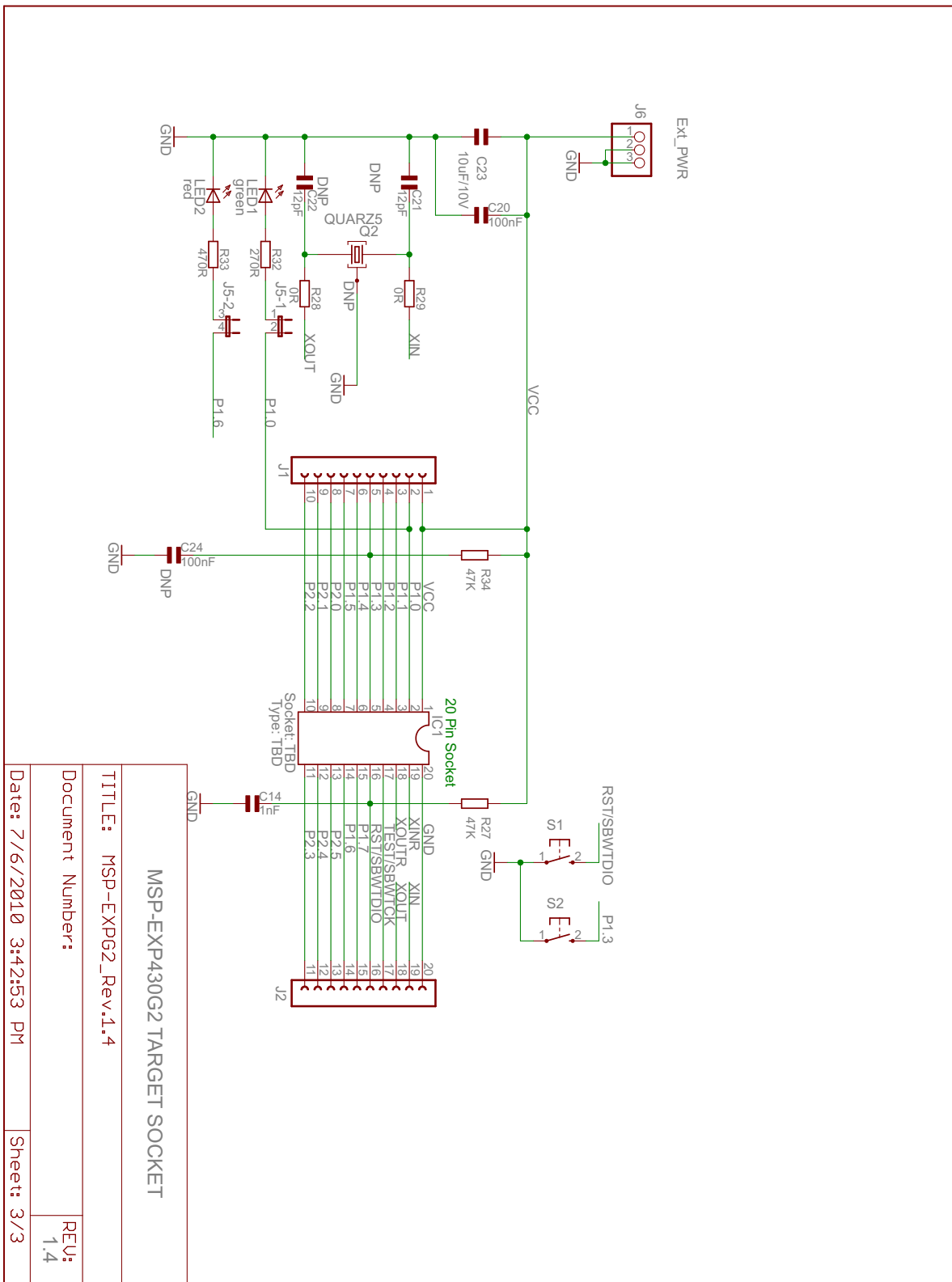


Figure 8. Schematics, MSP-EXP430G2 Target Socket, Revision 1.4

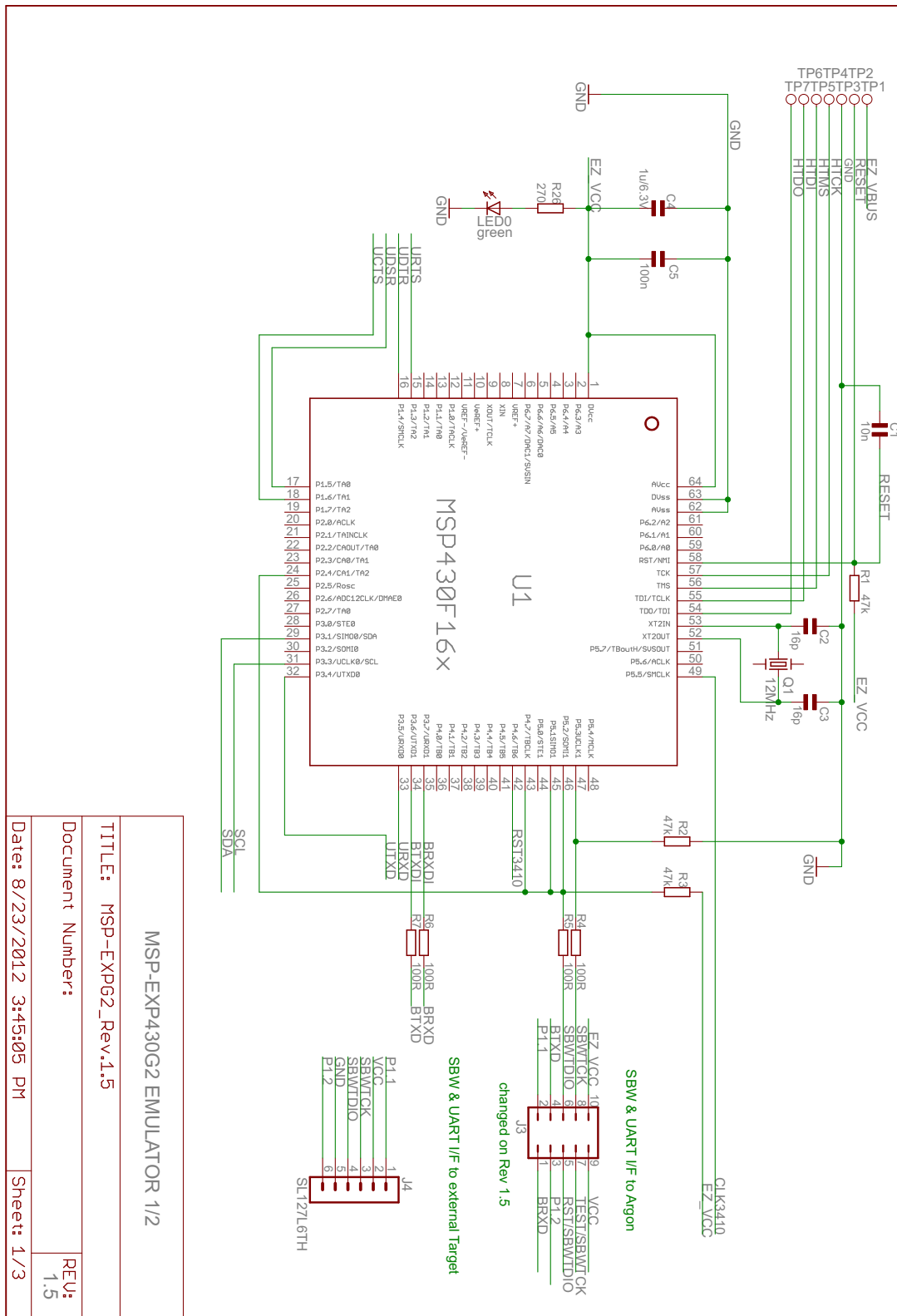


Figure 9. Schematics, MSP-EXP430G2 Emulator (1 of 2), Revision 1.5

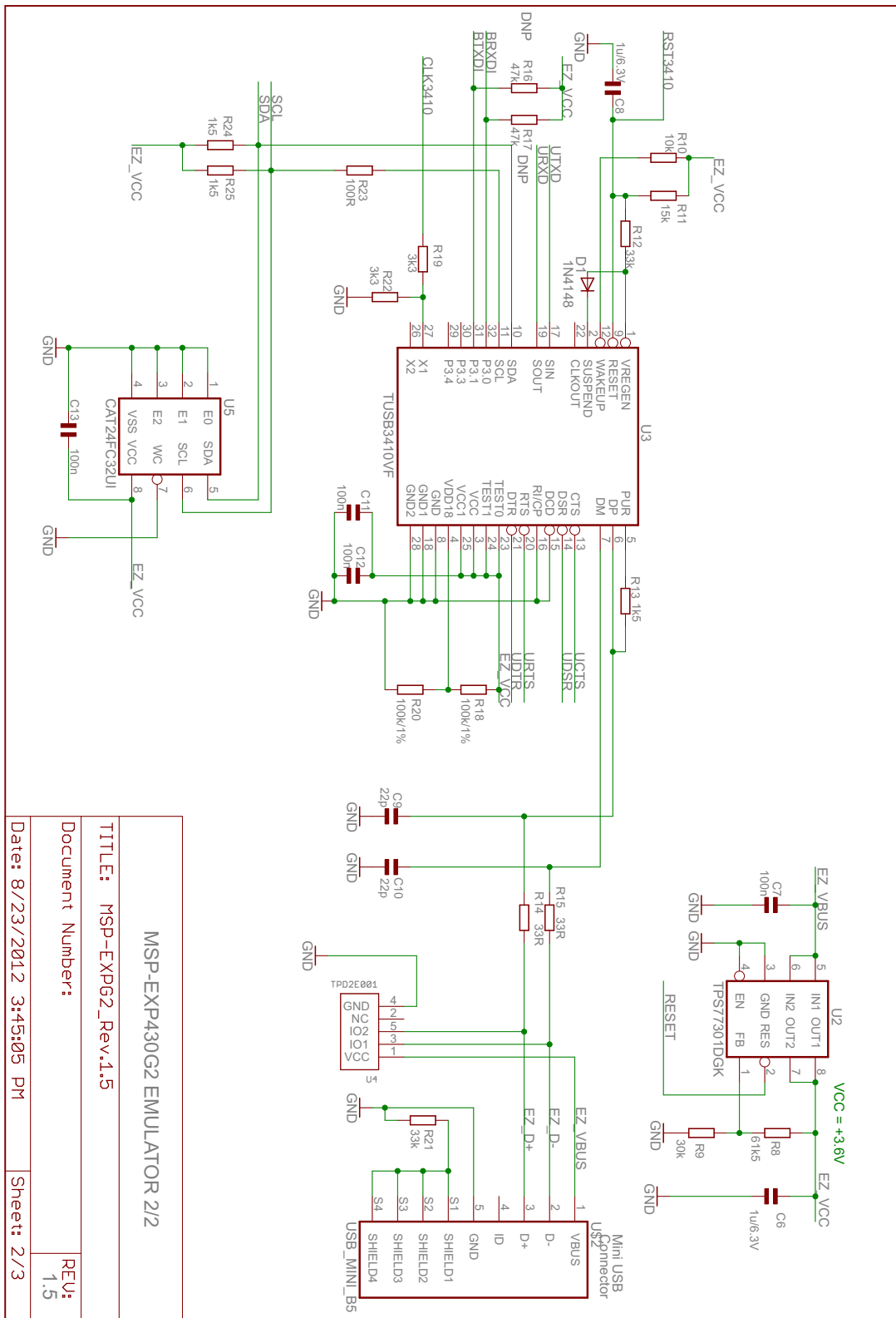


Figure 10. Schematics, MSP-EXP430G2 Emulator (2 of 2), Revision 1.5

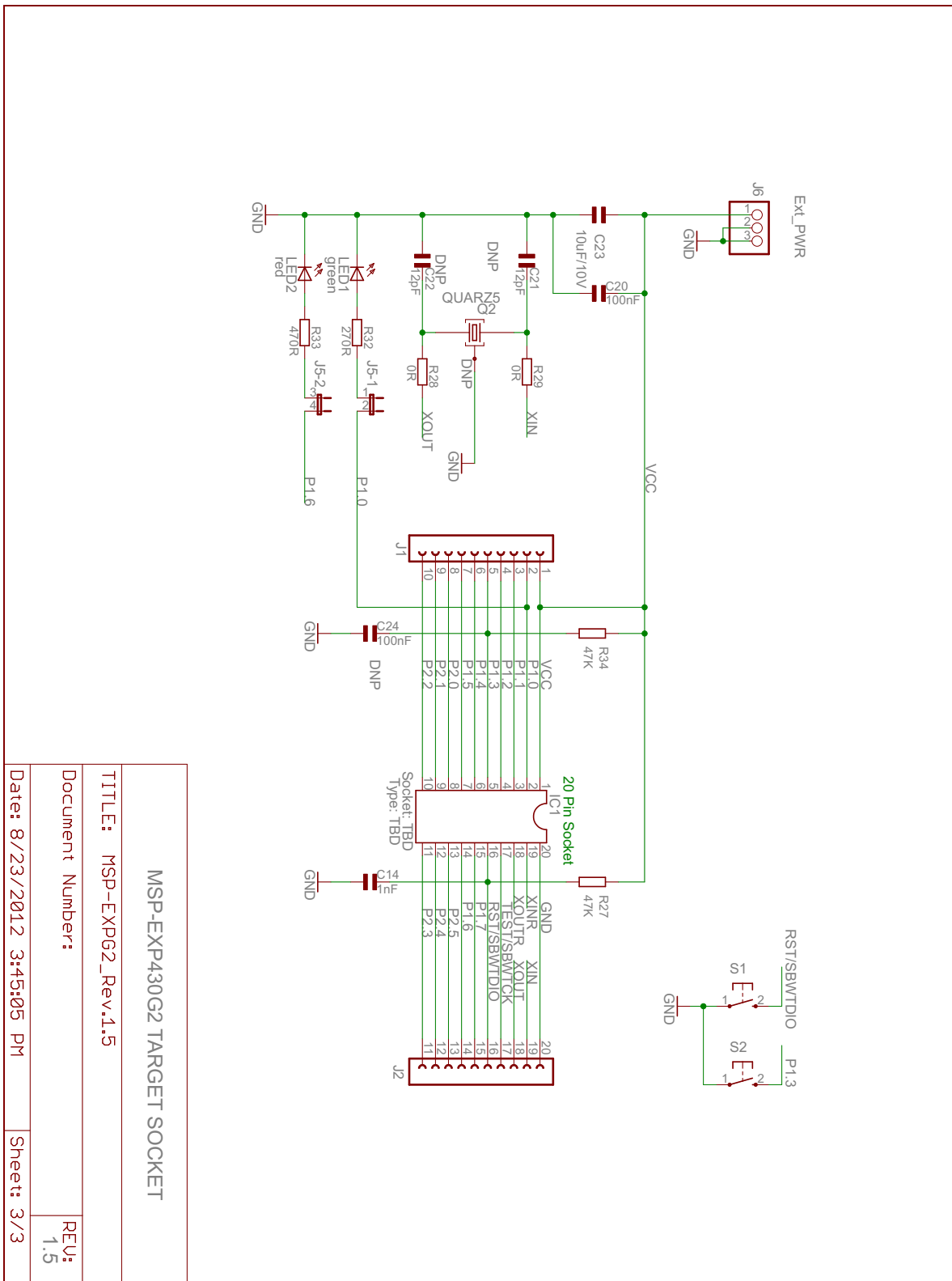


Figure 11. Schematics, MSP-EXP430G2 Target Socket, Revision 1.5

MSP-EXP430G2 TARGET SOCKET	
TITLE: MSP-EXP430G2_Rev.1.5	
Document Number:	
Date: 8/23/2012 3:45:05 PM	REV: 1.5
Sheet: 3/3	

6.3 PCB Layout

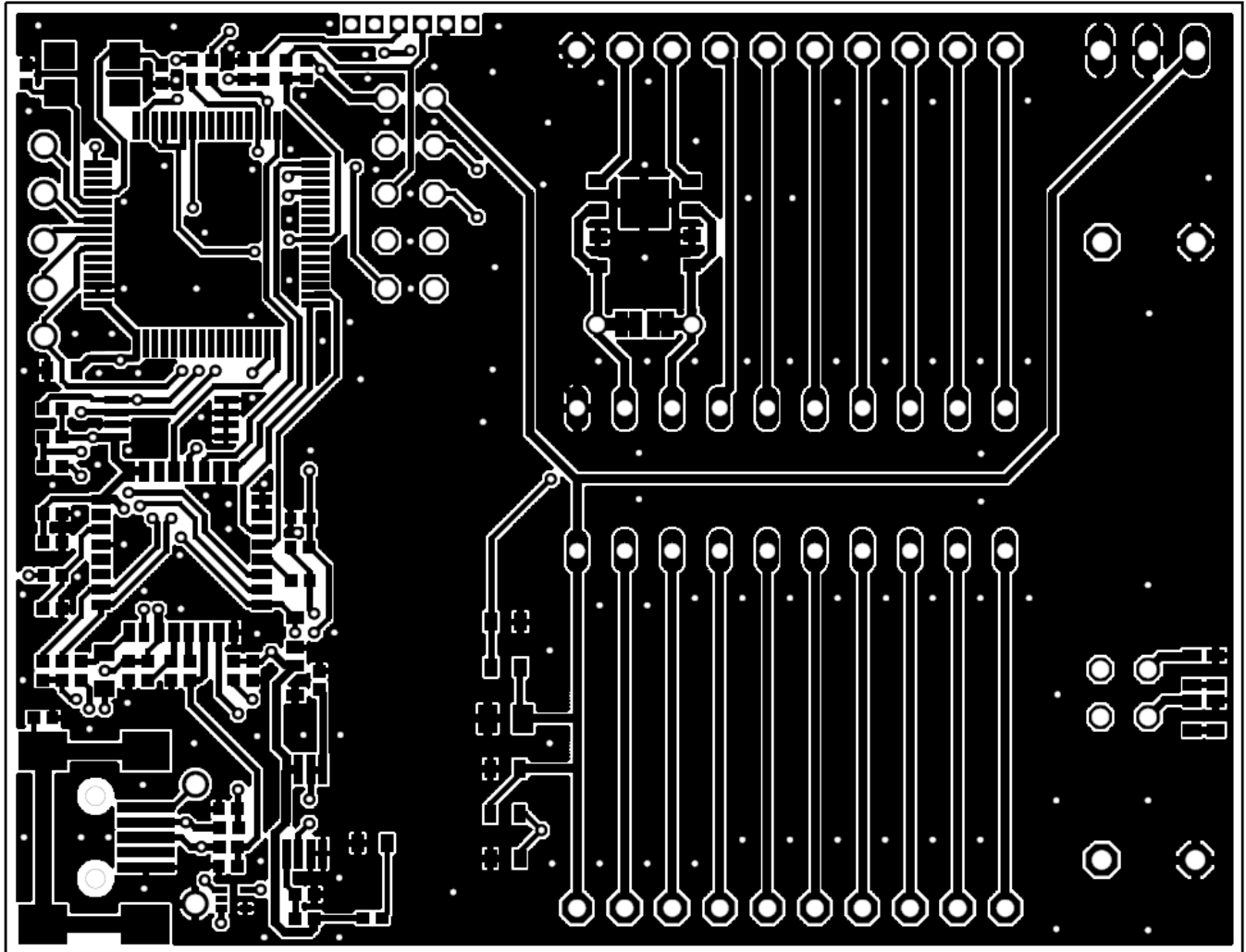


Figure 12. Layout, MSP-EXP430G2 Top Layer

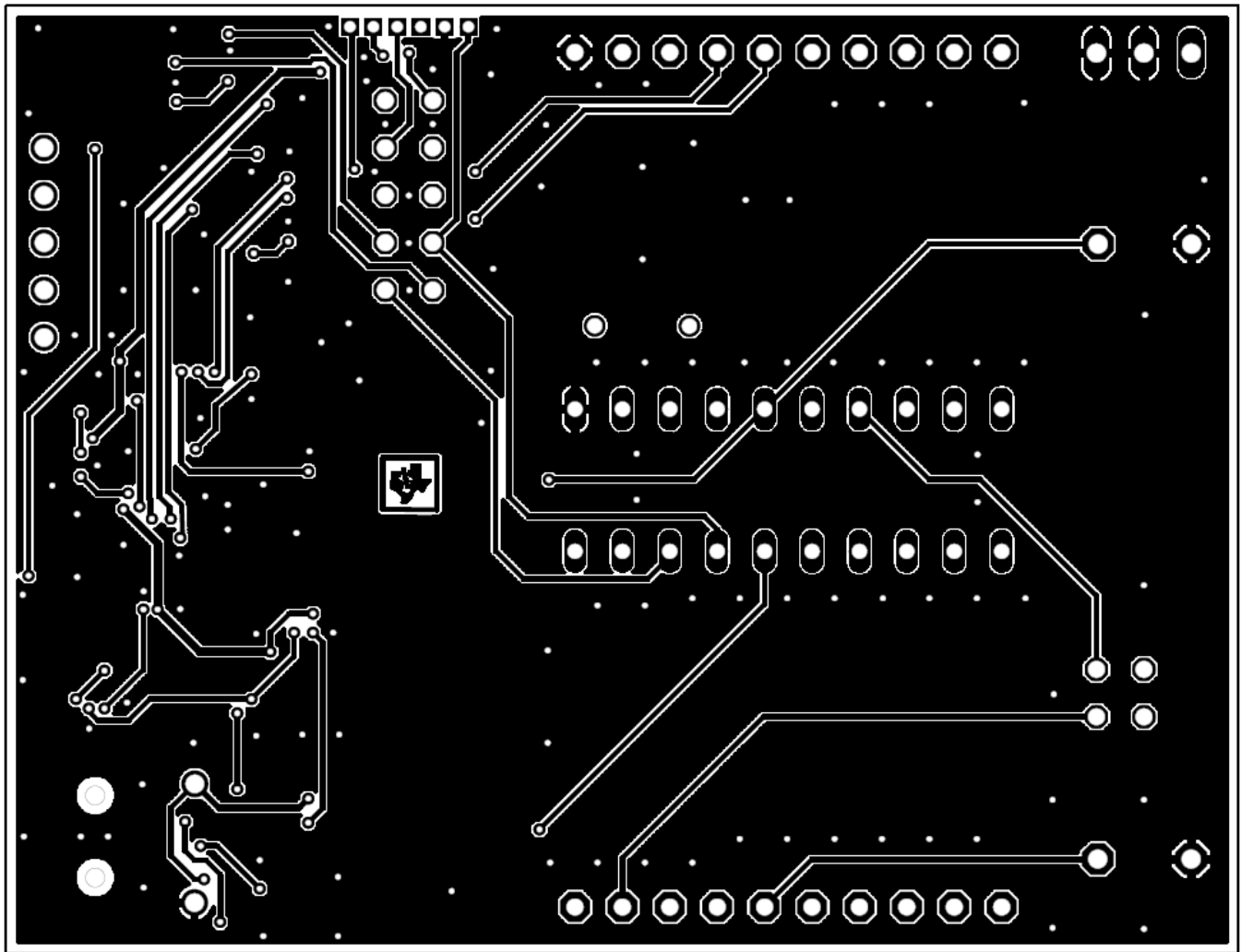


Figure 13. Layout, MSP-EXP430G2 Bottom Layer

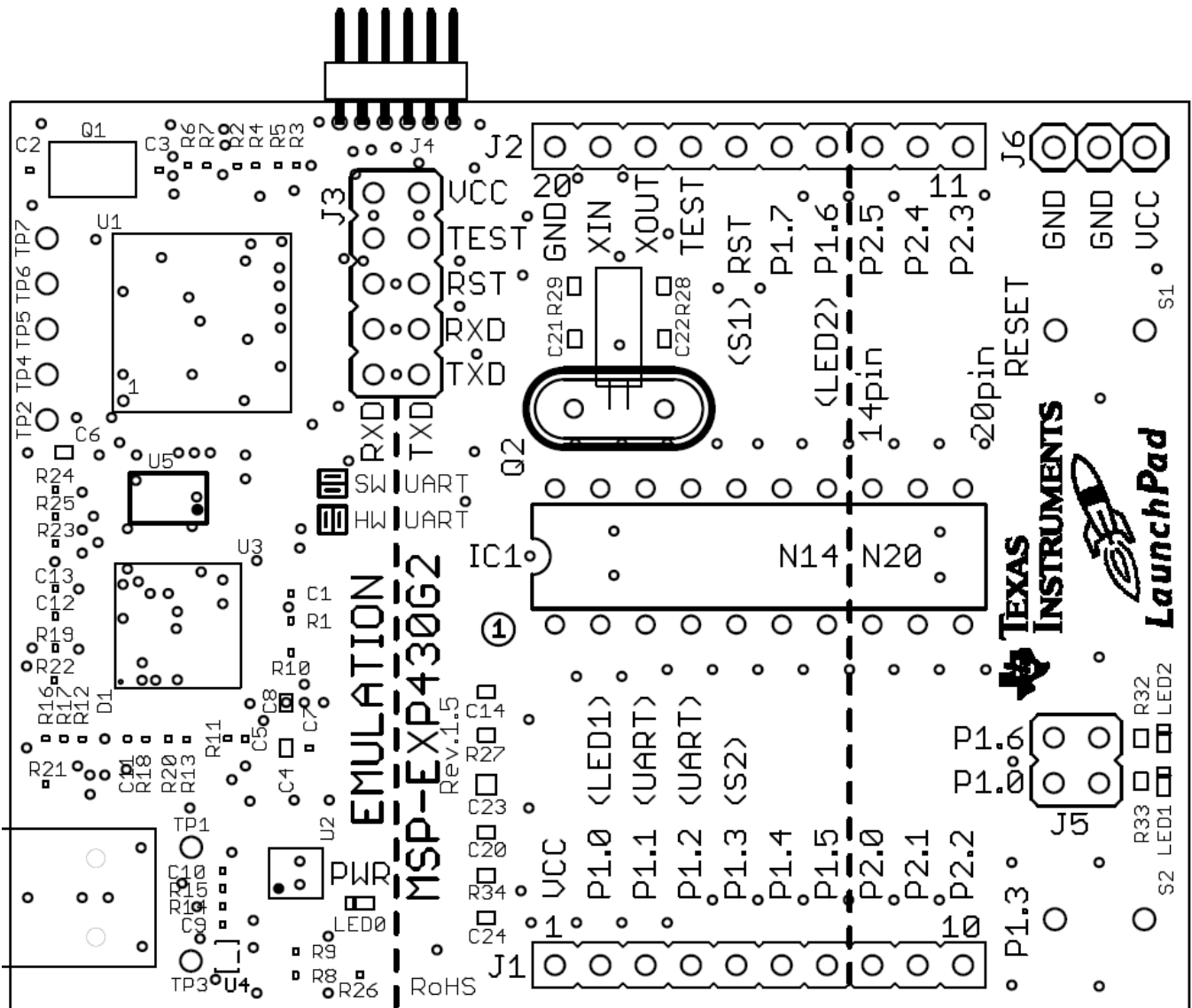


Figure 14. Layout, MSP-EXP430G2 Silkscreen

6.4 Bill of Materials (BOM)

Table 5. Bill of Materials

Pos.	Ref Name	Number per Board	Description
1	C2, C3	2	16pF 0402 (33 pF on Rev 1.3)
2	C9, C10	2	22pF 0402
3	C1	1	10nF 0402
4	C5, C7, C11, C12, C13	5	100nF 0402
5	C4, C6, C8	3	1 μ F, 6.3V 0604
6	D1	1	1N4148 MicroMELF
7	EZ_USB	1	Mini-USB connector
8	Q1	1	SMD oscillator 12 MHz
9	R1, R2, R3, R16, R17	3	47k 0402 (R16, R17 is not populated)
10	R8	1	61k5 0402 (6k8 in Rev 1.3 and prior)
11	R19, R22	2	3k3 0402
12	R9	1	30k 0402 (3k3 in Rev 1.3 and prior)
13	R12, R21	2	33k 0402
14	R4, R5, R6, R7, R23	5	100R 0402
15	R14, R15	2	33R 0402
16	R18, R20	2	100k 0402
17	R13, R24, R25	3	1k5 0402
18	R10	1	10k 0402
19	R11	1	15k 0402
20	U1	1	MSP430F1612IPMR
21	U4	1	TPD2E001DRLR
22	U3	1	TUSB3410VF
23	U2	1	TPS77301DGKR
24	U5	1	I2C EEPROM 128k (AT24C128-10TU-2.7)
25	TP1, TP2, TP3, TP4, TP5, TP6, TP7		
26	C14	1	1nF, SMD 0603
27	C21, C22		12.5pF, SMD 0603 (not populated)
28	C23	1	10 μ F, 10 V, SMD 0805
29	C20, C24	1	100nF, SMD 0603 (C24 is not populated)
30	LED0, LED1	2	Green DIODE 0603
31	LED2	1	Red DIODE 0603
32	R34, R27	1	47k SMD 0603 (R34 is not populated)
33	R32, R26	2	270R SMD 0603
34	R33	1	470R SMD 0603
35	R28, R29	2	0R SMD 0603
36	IC1	1	DIP20 socket
37	Q2		Clock crystal 32kHz (Micro Crystal MS3V-T1R 32.768kHz CL:12.5pF \pm 20ppm included)
38	J1, J2,	2	10-pin header, TH, 2.54mm male (female header included)
39	J3	1	2X05 pin header male
40	J4		6 pin header male 1.28mm
41	J5	1	2x02 pin header male
42	J6	2	3-pin header, male, TH
43	S1, S2	2	Push button

7 Suggested Reading

The primary sources of information on MSP430 MCUs are the device-specific data sheets and the family user's guides. The most up-to-date versions of those documents can be found at the TI [MSP430 landing page](#).

For more information on CCS and IAR, download the latest version from <http://www.ti.com/mspds> and read the included user's guides and documentation in the installation folder. Documents describing the IAR tools (Workbench/C-SPY, the assembler, the C compiler, the linker, and the library) are located in common\doc and 430\doc. All necessary CCS documents can be found in the msp430\doc folder in the CCS installation path. The FET user's guide also includes detailed information on how to set up a project for the MSP430 MCUs using IAR or CCS, and it is included in most of the IDE releases and on the [TI MSP430 MCU website](#).

8 Frequently Asked Questions (FAQ)

1. Can other programming tools like the MSP-FET430UIF interface the socket device on the MSP-EXP430G2 LaunchPad development kit?

The LaunchPad development kit works with any programming tool that supports the 2-wire Spy-Bi-Wire interface. Both the MSP430 USB FET (MSP-FET430UIF) and the Gang Programmer (MSP-GANG430) support these devices, but the connection must be made directly to the dedicated Spy-Bi-Wire ports. See *MSP-FET430 Flash Emulation Tool User's Guide (SLAU138)* for details on using MSP430 USB FET and the Gang Programmer for a 2-wire Spy-Bi-Wire interface. Do not try to connect the standard JTAG connector to the MSP-EXP430G2 pinheads, as this could result in damage to the attached hardware.

2. Does the MSP-EXP430G2 support fuse blow?

The onboard debugging interface of the MSP-EXP430G2 LaunchPad development kit lacks the JTAG security fuse-blow capability. To ensure firmware security on devices going to production, the USB Flash Emulation Tool or the Gang Production Programmer, which support the fuse-blow feature, are recommended.

3. What versions of IAR Embedded Workbench IDE and Code Composer Studio IDE are supported?

The hardware of the MSP-EXP430G2 LaunchPad development kit is supported by IAR Embedded Workbench KickStart Version 6.00 or higher and Code Composer Studio v4 or higher. To download the IDEs, visit <http://www.ti.com/mspds>.

4. What are the part numbers for the connectors between the emulator board of the LaunchPad development kit and the other eZ430 target boards?

Header: MALE CONN HEADER .050" 6POS PCB R/A (for example, Digi-Key: S9016E-06-ND)

Socket: FEMALE CONN HEADER .050" 6POS PCB R/A (for example, Digi-Key: S9010E-06-ND)

5. I am not able to select the MSP430 Application UART and cannot receive data.

Ensure that the Application UART driver is correctly installed. This is done by installing either IAR Embedded Workbench or Code Composer Studio v4.

To determine if the driver is correctly installed:

- a. Plug in the MSP-EXP430G2 LaunchPad development kit with the included mini USB cable.
- b. Right click My Computer and select Properties.
- c. Select the Hardware tab and click on Device Manager.
- d. Under Ports (COM & LPT) should be an entry for "MSP430 Application UART (COM xx)".

If the entry is there, but no characters are received, reconnect the LaunchPad development kit to the PC and restart the application to reload the drivers. If the Application UART is not listed, install the driver by following the instructions in [Section 3.2](#).

If the application UART is installed but not receiving UART data, ensure that the jumpers on J3 are configured for the proper UART communication. The two UART jumpers are configured vertically for a software (SW) UART, and horizontally for a hardware (HW) UART. The application implementation and J3 jumpers should match for UART data to be properly transmitted.

6. The device is not answering to any communication, JTAG or UART.

If you are experiencing difficulties in communicating to the attached MSP430 target device, even though all the communication drivers for the MSP-EXP430G2 are loaded correctly, the emulator is probably set to a wrong communication state. This can be fixed by reconnecting the LaunchPad development kit and restarting the communicating application. Also make sure that all the jumpers on J3 are connected properly between the emulator and the target device. On revision 1.5 and newer, the orientation of the UART jumpers must align with the software implementation on the target device.

7. I soldered the 32-kHz crystal to the board and the oscillation is not starting.

The capability of the MSP430 MCU to drive the low-frequency crystal is limited, because this MCU is designed for low-power applications. To ensure proper operation, the load on these pins must be as small as possible, the matching capacitors (12.5 pF for 32.768 kHz) for the crystal must be soldered to the board, and the resistors R28 and R29 must be removed. Measuring the frequency of the oscillation with an oscilloscope typically disturbs the oscillation.

8. The power consumption of the board is much higher than specified in the device data sheet, or I am not measuring a current at all.

The MSP430 MCU in the socket of the LaunchPad development kit can be powered with an external power supply at header J6 or J4. To measure the power consumption in this mode, the VCC jumper, usually used to measure the power consumption, must be removed, and the current must be measured directly at the power supply. If the jumper J3 is not removed, the emulator circuitry of the LaunchPad development kit is powered as well. Measuring the current consumption during a debug session is not possible, because the cross current through the JTAG connection influences the measurement. The most accurate results are achieved with all jumpers on J3 removed. If the measurement is still not matching the data sheet parameters, make sure that the code is aligned with all the power saving recommendations on the website [MSP430™ - The World's Lowest Power MCU](#).

LaunchPad development kit revisions 1.3 and 1.4 come with R34 populated. The 47-kΩ resistor is used as a pullup for the button S2. If the port P1.3 is driven to ground, as suggested to keep the power consumption down, the pullup resistor generates an additional current of approximately 77 μA. To reduce the power consumption, the port should stay in input mode or the resistor should be removed if button S2 is not used. The internal pullup of the MSP430G2xx can be used instead.

Revision History

NOTE: Page numbers for previous revisions may differ from page numbers in the current version.

Changes from January 13, 2015 to March 18, 2016	Page
• Added the paragraph that starts "Information about MSP debug solutions..." to Section 1.2	2

IMPORTANT NOTICE FOR TI DESIGN INFORMATION AND RESOURCES

Texas Instruments Incorporated ("TI") technical, application or other design advice, services or information, including, but not limited to, reference designs and materials relating to evaluation modules, (collectively, "TI Resources") are intended to assist designers who are developing applications that incorporate TI products; by downloading, accessing or using any particular TI Resource in any way, you (individually or, if you are acting on behalf of a company, your company) agree to use it solely for this purpose and subject to the terms of this Notice.

TI's provision of TI Resources does not expand or otherwise alter TI's applicable published warranties or warranty disclaimers for TI products, and no additional obligations or liabilities arise from TI providing such TI Resources. TI reserves the right to make corrections, enhancements, improvements and other changes to its TI Resources.

You understand and agree that you remain responsible for using your independent analysis, evaluation and judgment in designing your applications and that you have full and exclusive responsibility to assure the safety of your applications and compliance of your applications (and of all TI products used in or for your applications) with all applicable regulations, laws and other applicable requirements. You represent that, with respect to your applications, you have all the necessary expertise to create and implement safeguards that (1) anticipate dangerous consequences of failures, (2) monitor failures and their consequences, and (3) lessen the likelihood of failures that might cause harm and take appropriate actions. You agree that prior to using or distributing any applications that include TI products, you will thoroughly test such applications and the functionality of such TI products as used in such applications. TI has not conducted any testing other than that specifically described in the published documentation for a particular TI Resource.

You are authorized to use, copy and modify any individual TI Resource only in connection with the development of applications that include the TI product(s) identified in such TI Resource. NO OTHER LICENSE, EXPRESS OR IMPLIED, BY ESTOPPEL OR OTHERWISE TO ANY OTHER TI INTELLECTUAL PROPERTY RIGHT, AND NO LICENSE TO ANY TECHNOLOGY OR INTELLECTUAL PROPERTY RIGHT OF TI OR ANY THIRD PARTY IS GRANTED HEREIN, including but not limited to any patent right, copyright, mask work right, or other intellectual property right relating to any combination, machine, or process in which TI products or services are used. Information regarding or referencing third-party products or services does not constitute a license to use such products or services, or a warranty or endorsement thereof. Use of TI Resources may require a license from a third party under the patents or other intellectual property of the third party, or a license from TI under the patents or other intellectual property of TI.

TI RESOURCES ARE PROVIDED "AS IS" AND WITH ALL FAULTS. TI DISCLAIMS ALL OTHER WARRANTIES OR REPRESENTATIONS, EXPRESS OR IMPLIED, REGARDING TI RESOURCES OR USE THEREOF, INCLUDING BUT NOT LIMITED TO ACCURACY OR COMPLETENESS, TITLE, ANY EPIDEMIC FAILURE WARRANTY AND ANY IMPLIED WARRANTIES OF MERCHANTABILITY, FITNESS FOR A PARTICULAR PURPOSE, AND NON-INFRINGEMENT OF ANY THIRD PARTY INTELLECTUAL PROPERTY RIGHTS.

TI SHALL NOT BE LIABLE FOR AND SHALL NOT DEFEND OR INDEMNIFY YOU AGAINST ANY CLAIM, INCLUDING BUT NOT LIMITED TO ANY INFRINGEMENT CLAIM THAT RELATES TO OR IS BASED ON ANY COMBINATION OF PRODUCTS EVEN IF DESCRIBED IN TI RESOURCES OR OTHERWISE. IN NO EVENT SHALL TI BE LIABLE FOR ANY ACTUAL, DIRECT, SPECIAL, COLLATERAL, INDIRECT, PUNITIVE, INCIDENTAL, CONSEQUENTIAL OR EXEMPLARY DAMAGES IN CONNECTION WITH OR ARISING OUT OF TI RESOURCES OR USE THEREOF, AND REGARDLESS OF WHETHER TI HAS BEEN ADVISED OF THE POSSIBILITY OF SUCH DAMAGES.

You agree to fully indemnify TI and its representatives against any damages, costs, losses, and/or liabilities arising out of your non-compliance with the terms and provisions of this Notice.

This Notice applies to TI Resources. Additional terms apply to the use and purchase of certain types of materials, TI products and services. These include; without limitation, TI's standard terms for semiconductor products (<http://www.ti.com/sc/docs/stdterms.htm>), [evaluation modules](#), and [samples](http://www.ti.com/sc/docs/sampterm.htm) (<http://www.ti.com/sc/docs/sampterm.htm>).

Mailing Address: Texas Instruments, Post Office Box 655303, Dallas, Texas 75265
Copyright © 2018, Texas Instruments Incorporated