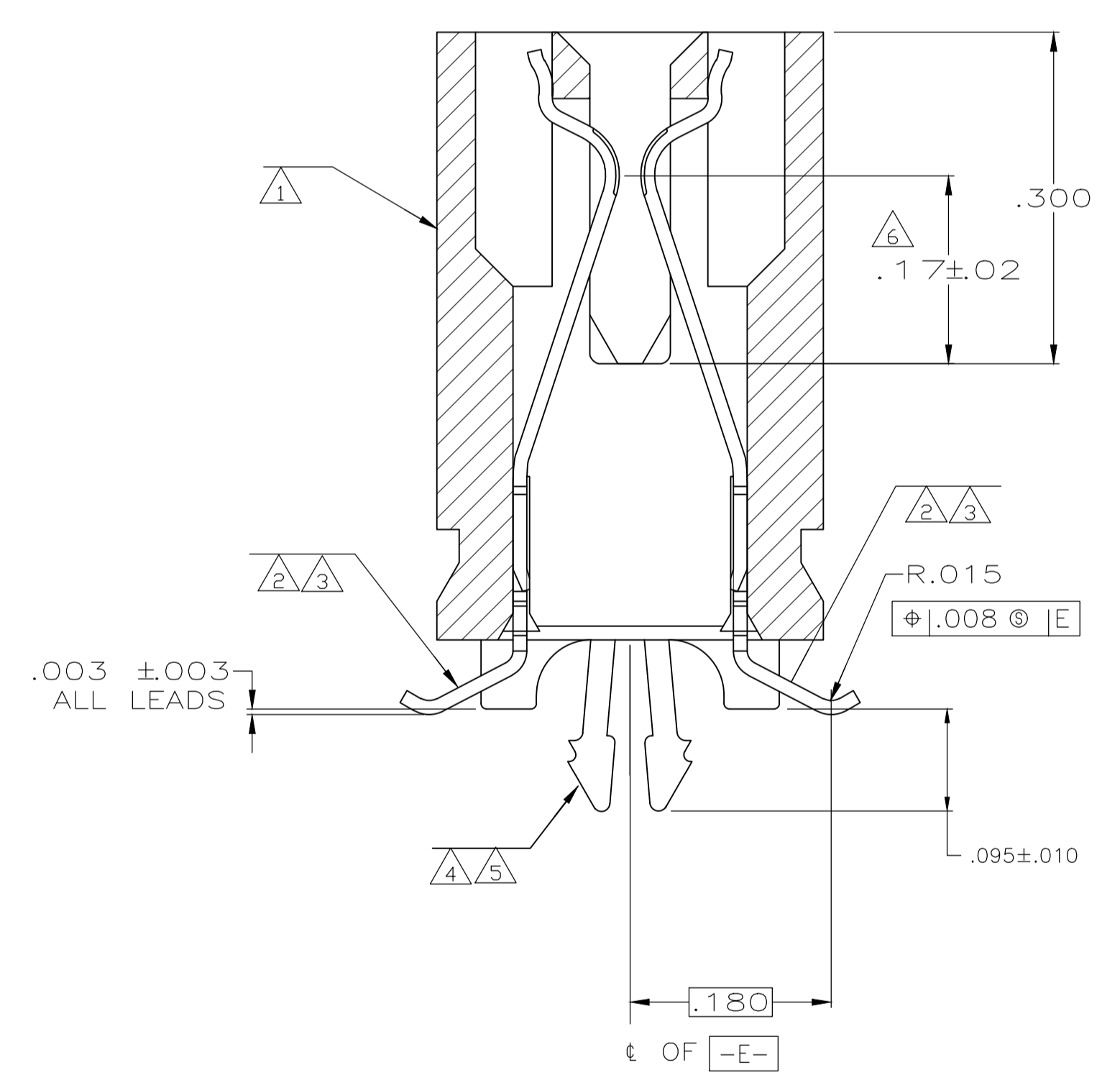
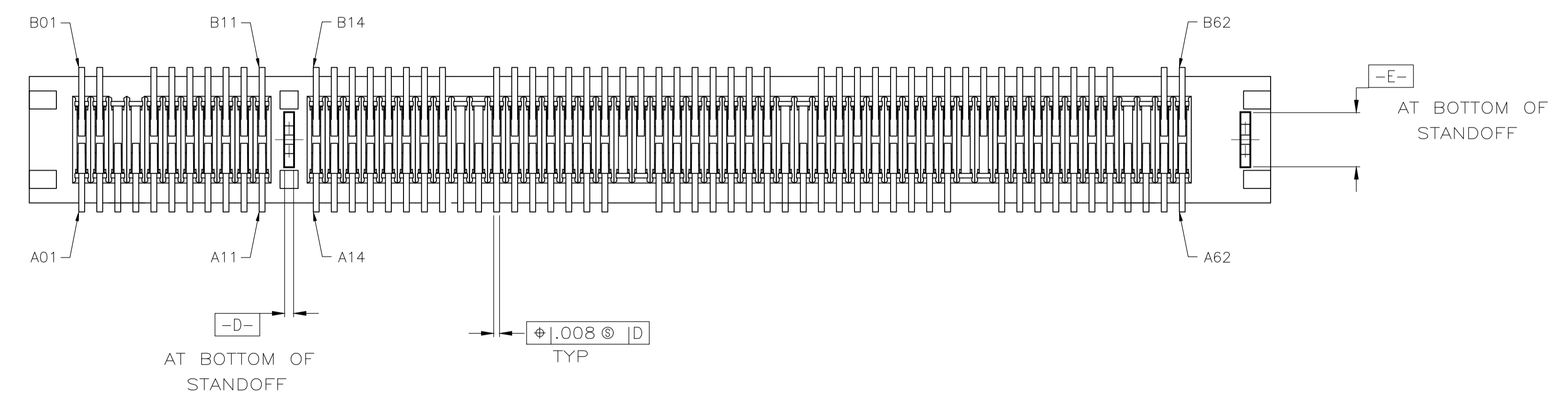
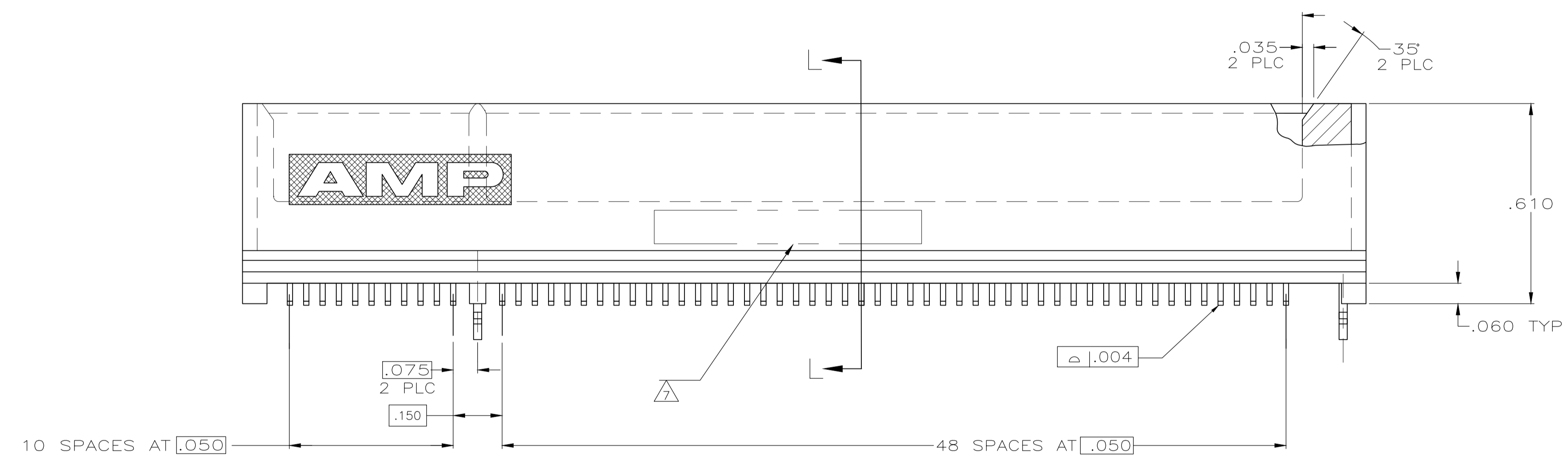
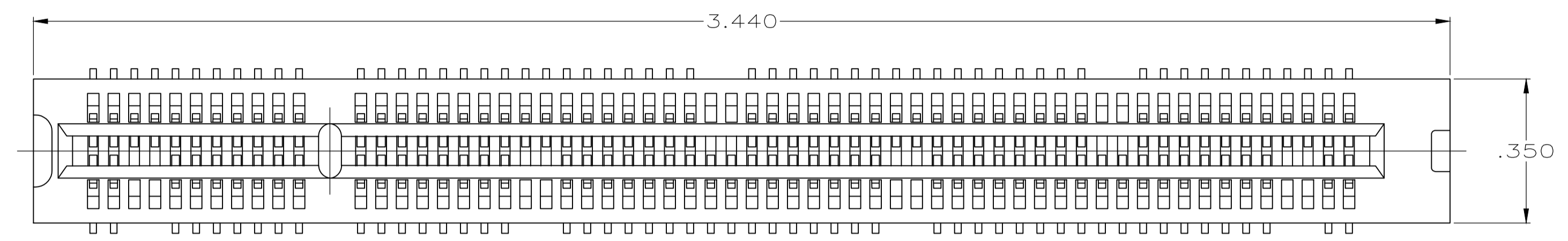


REVISIONS				
P	LTR	DESCRIPTION	DATE	APPD
A		ECO-18-017215	03DEC2018	FL HL

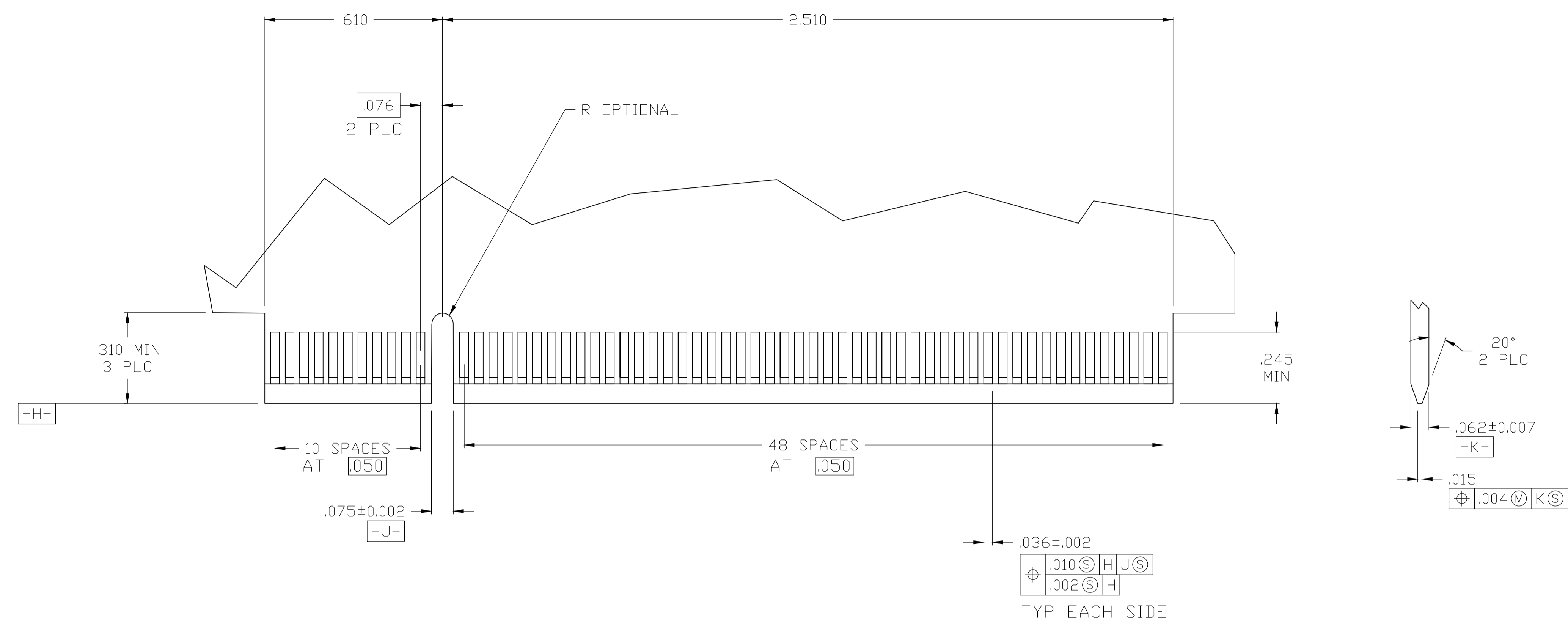
- 1 HOUSING: POLYPHENYLENE SULFIDE
- 2 CONTACT: PHOSPHOR BRONZE
- 3 CONTACT FINISH: .000030 MIN GOLD IN CONTACT AREA OVER .000100 MIN NICKEL ON ENTIRE CONTACT, .000100 MIN MATTE TIN OVER NICKEL ON SOLDER TAILS
- 4 METAL HOLD DOWN: BRASS
- 5 METAL HOLD DOWN FINISH: .000150 MIN MATTE TIN ON ENTIRE HOLD DOWN OVER .000050 MIN NICKEL ON ENTIRE CONTACT
- 6 DISTANCE FROM CONTACT POINT TO BOTTOM OF CARD SLOT
- 7 AMP PART NUMBER, DATE CODE AND CSA LOGO MARKED IN APPROXIMATE AREA SHOWN
- 8. SELECT LOAD, NO CONTACTS LOADED IN POSTIONS
 A31, A32, A50, A51
 B3, B4, B22, B23, B40, B41, B59, B60



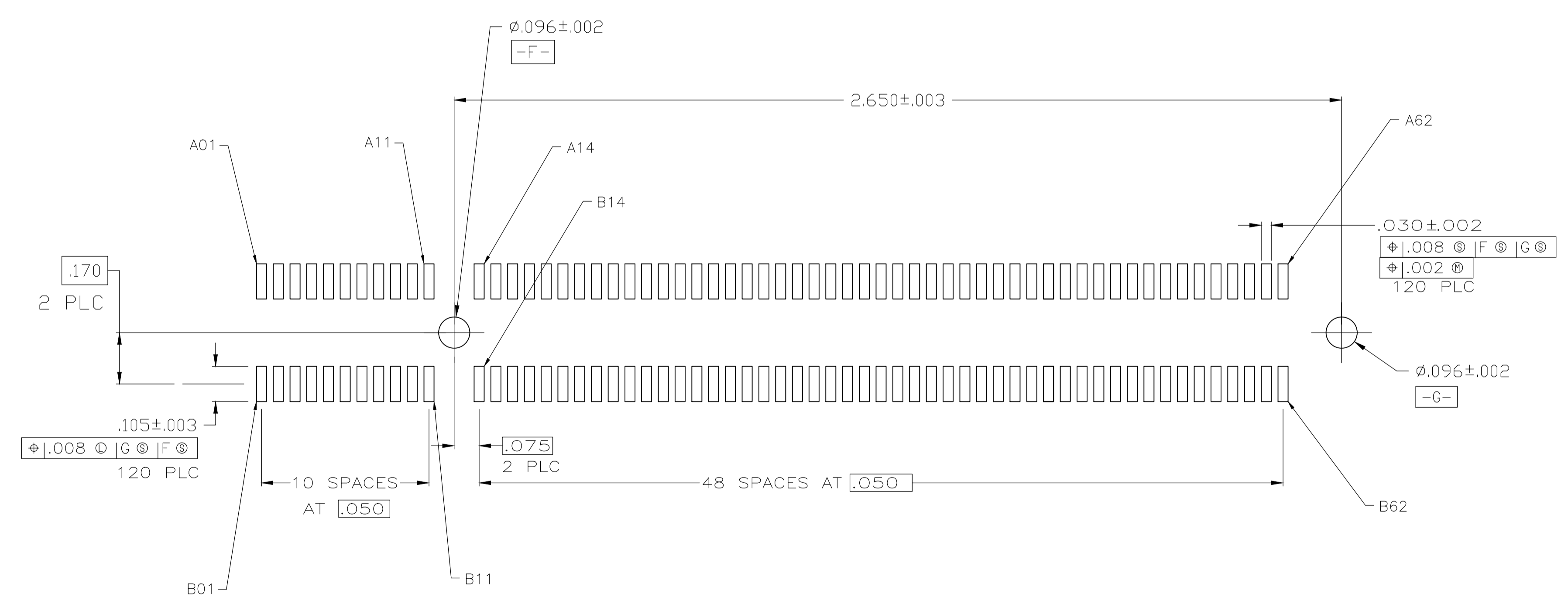
6489898-1 AS SHOWN

THIS DRAWING IS A CONTROLLED DOCUMENT.		DWN AL FRANTUM 24 JUN 05 CHK AL FRANTUM 24 JUN 05 APPD -	STE TE Connectivity Ltd.	
DIMENSIONS: INCHES	TOLERANCES UNLESS OTHERWISE SPECIFIED: 0 PLC ± - 1 PLC ± - 2 PLC ± .01 3 PLC ± .005 4 PLC ± - ± .2 ANGLES ± - ± .2	PRODUCT SPEC 108-14034 APPLICATION SPEC 114-13148	NAME CONNECTOR ASSEMBLY, 60 DUAL POSITION SELECT LOAD, .50 SERIES, SURFACE MOUNT	
MATERIAL 1 2 4 FINISH 3 5		WEIGHT - CUSTOMER DRAWING	SIZE A1 CASE CODE 00779 DRAWING NO. 6489898	RESTRICTED TO - SCALE 4:1 SHEET 1 OF 2 REV A

REVISIONS				
REV	DATE	DESCRIPTION	BY	APPD
-	-	SEE SHEET 1	-	-



RECOMMENDED MATING BOARD EDGE CONFIGURATION



RECOMMENDED PC BOARD PATTERN
 (CONNECTOR SIDE SHOWN)

THIS DRAWING IS A CONTROLLED DOCUMENT.		DWN: S. BURKHOLDER 24 JUN 05	TE Connectivity Ltd.
DIMENSIONS: INCHES		CHK: AL FRANTUM 24 JUN 05	
DIMENSIONS: INCHES TOLERANCES UNLESS OTHERWISE SPECIFIED: 0 PLC ± - 1 PLC ± - 2 PLC ± .01 3 PLC ± .005 4 PLC ± - ANGLES ± 2° FINISH SEE SHEET 1		NAME: AL FRANTUM	PRODUCT SPEC: -
MATERIAL: SEE SHEET 1		APVD: -	APPLICATION SPEC: -
CUSTOMER DRAWING		SIZE: A1	RESTRICTED TO: -
SCALE: 4:1		DRAWING NO: 00779	SHEET 2 OF 2
		REV: A	