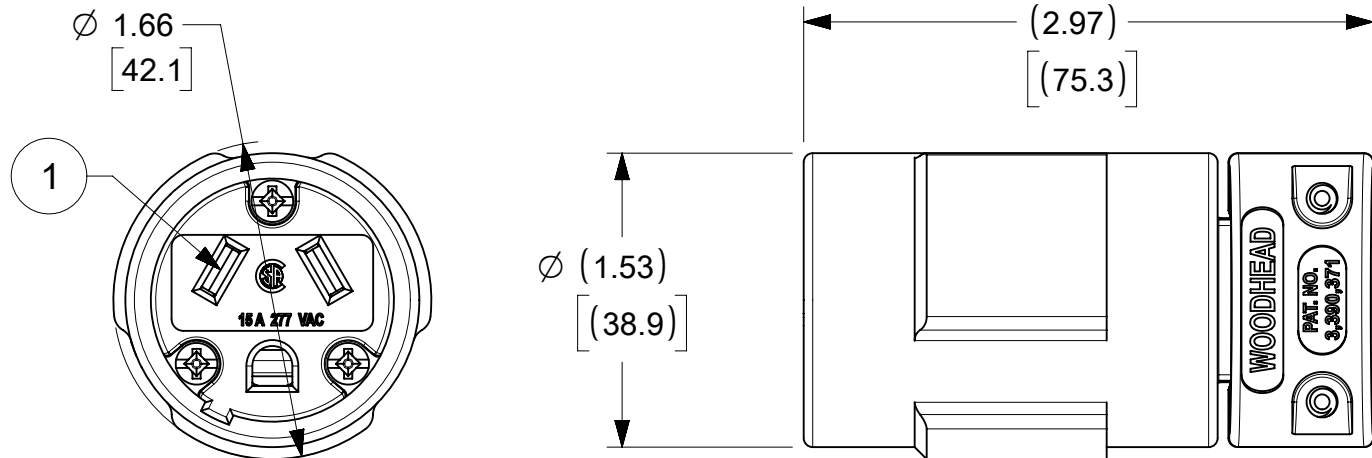
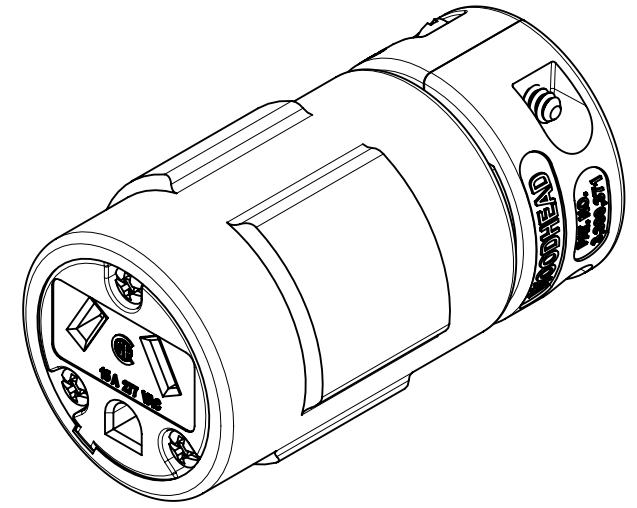
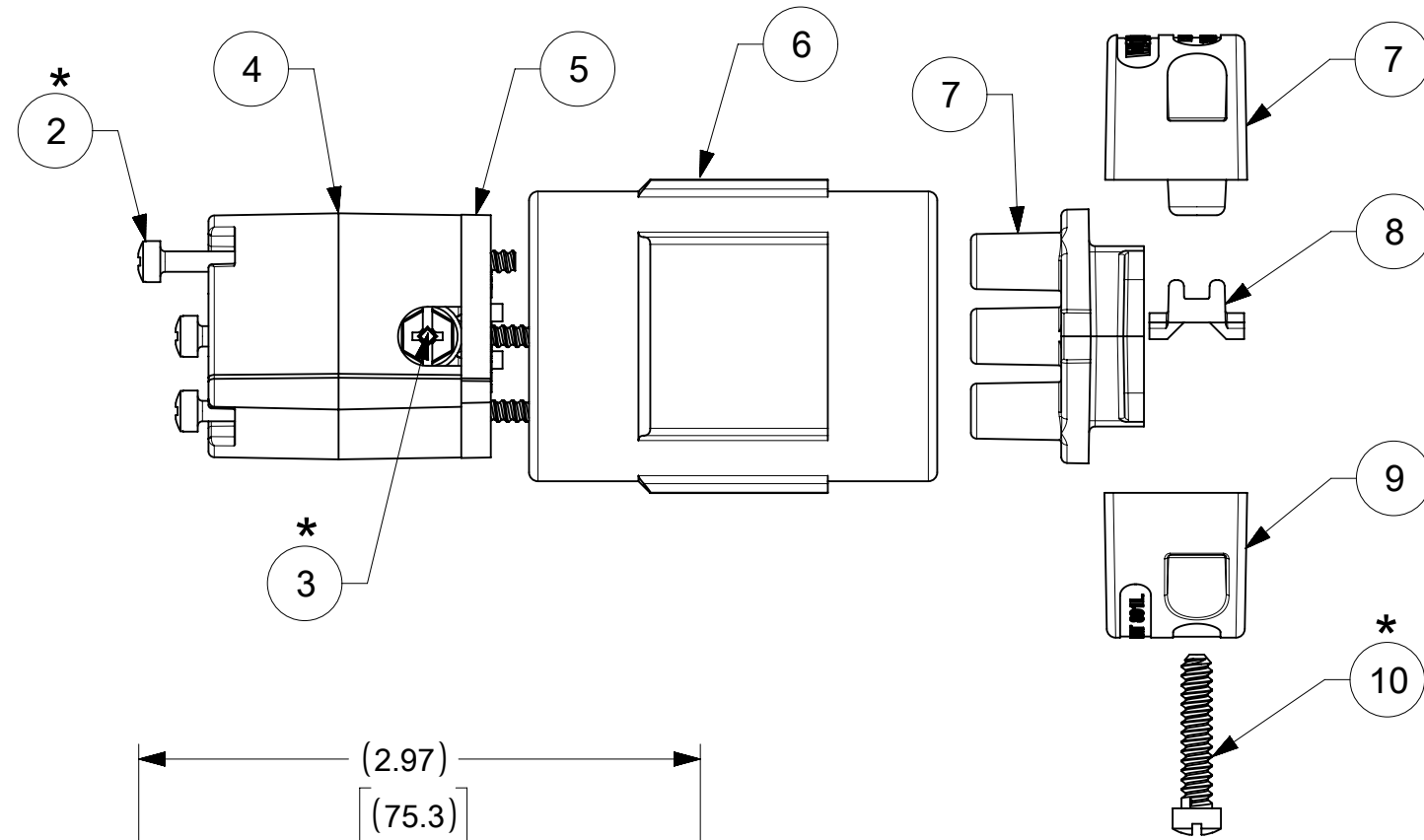
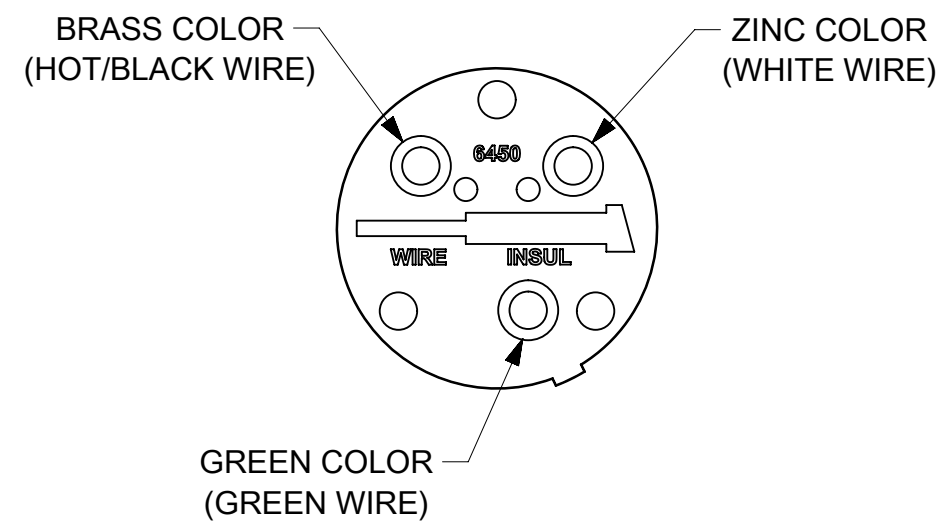


ORDER NO.	WOODHEAD NO.	COLOR
130141-0030	1534	YELLOW



**WIRING TERMINATION**



\* FOR SCREW TORQUE, SEE ASSEMBLY INSTRUCTIONS

ITEM NO.	DESCRIPTIONS	MATERIAL	QTY.
1	CLIP ASSEMBLY	BRASS, NICKEL PLATED	3
2	RETAINING SCREWS	STAINLESS STEEL	3
3	TERMINAL SCREWS/CLAMP ASSEMBLY	BRASS, ZINC PLATED	3
4	INSERT	NYLON	1
5	TERMINAL COVER	POLYCARBONATE	1
6	CONNECTOR HUSK	RUBBER	1
7	CLAMP SUPPORT	NYLON	1
8	CLAMP CORD MALE	NYLON	1
9	CLAMP CORD INSERT	NYLON	1
10	CLAMP CORD FEMALE	NYLON	1
11	RETAINING SCREWS	STEEL ZINC PLATED	2

SYMBOLS		THIS DRAWING CONTAINS INFORMATION THAT IS PROPRIETARY TO MOLEX ELECTRONIC TECHNOLOGIES, LLC AND SHOULD NOT BE USED WITHOUT WRITTEN PERMISSION		CURRENT REV DESC: NEW RELEASE	
▽ = 0	INCH/MM	SCALE NTS		<b>molex</b> SUPER-SAFEWAY CONN NEMA 7-15 2P3W	
▽ = 0	GENERAL TOLERANCES (UNLESS SPECIFIED)		EC NO: 643354 DRWN: VHANDI 2019/06/14 CHK'D: DNGUYEN62 2020/06/29 APPR: HKNEELAND 2020/09/02		
▽ = 0		MM	INCH	PRODUCT CUSTOMER DRAWING	
▽ = 0	4 PLACES ±			DOCUMENT NUMBER	
▽ = 0	3 PLACES ±			1301410030	
▽ = 0	2 PLACES ±	0.13	0.01	DOC TYPE	DOC PART
▽ = 0	1 PLACE ±	0.25	0.02	PSD	000
▽ = 0	0 PLACES ±			REVISION	A
▽ = 0	ANGULAR TOL ±	0.5°		MATERIAL NUMBER	
▽ = 0	DRAFT WHERE APPLICABLE MUST REMAIN WITHIN DIMENSIONS		THIRD ANGLE PROJECTION	DRAWING	SERIES
▽ = 0			B-SIZE	130141	CUSTOMER
				SEE TABLE	GENERAL MARKET
					SHEET NUMBER
					1 OF 1