



SPECIFICATIONS

Model	Stroke mm	Max Energy Absorption J(kgf·m)	Max Equiv. Mass kg(kgf)	Range of Impact Rate m/s	Orifice Type
FA-S1612XB-S	12	9.8(1.0)	50(50)	0.3~1	Single-orifice type

COMMON SPECIFICATIONS

Max Drag N(kgf)	Max Cycle Rate cycle/min	Max Energy Absorption per min. J/min(kgf·m/min)	Extension Force N(kgf)	Operating Temp. C°	Mass g
2,646 (270)	60	235(24)	14.7(1.5) or lower	-5~70	108

PRECAUTIONS FOR USE

- Do not use this product in places where it may come in contact with oil as it does not have a liquid-proof structure.
- Please contact our sales department when the use of optional parts is planned.
- Although the dimensions are identical to those of the FA series standard products (adjustable), the FWM-S2016 series has a longer overall length.

ADJUSTMENT METHOD

- Please peruse the operation manual carefully before use.
- Do not operate without sufficient mounting strength.
- Do not operate without an external stopper.
- Note that Products specification might be changed without notice.

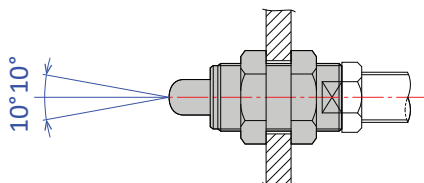
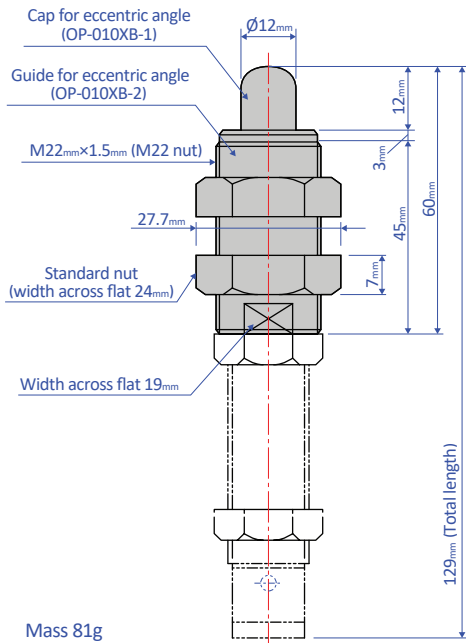
ABSORPTION CHARACTERISTICS

Orifice type	Single-orifice type	<p>Absorption characteristics</p>
Model number	FA-S1612XB Series	
Application	For low speed	

OPTIONAL PARTS

Eccentric angle adaptor OP-010XB

- Screw the eccentric angle adaptor into the main unit until the cap for the eccentric angle and the piston rod form a tight connection. While maintaining this position, fasten the main unit's nut until it is secured.
- Use the eccentric angle adaptor when the eccentric angle is 2.5° or larger.
- The main unit can also be used as a stopper.
- Use it with a capless soft absorber.
- The maximum operating eccentric angle with an eccentric angle adaptor is $\pm 10^\circ$.
- The caps and the guides for inclined use are not unbundled.

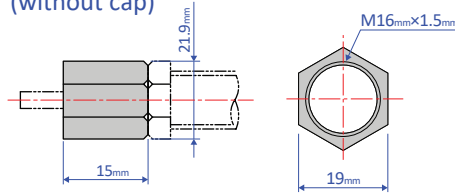


Note: Material of cap for eccentric angle: POM

Stopper nut OP-020HB

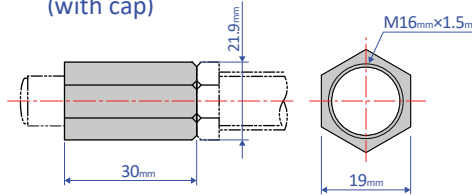
- Adjust so that it stops 1 mm before the stroke end, and fasten with the main unit's nut until secured.

OP-020HB-S (without cap)



Mass 15g

OP-020HB-C (with cap)



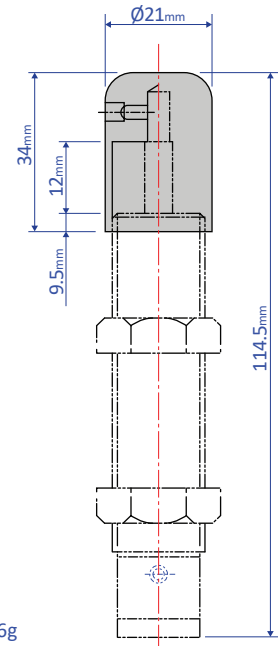
Mass 28g

Note: When attaching, make sure that the side without a bearing chamfer is the impact surface.

Standard nuts are sold separately as well - M16 Nut

Liquid-proof cap FA-1612XB-C-060

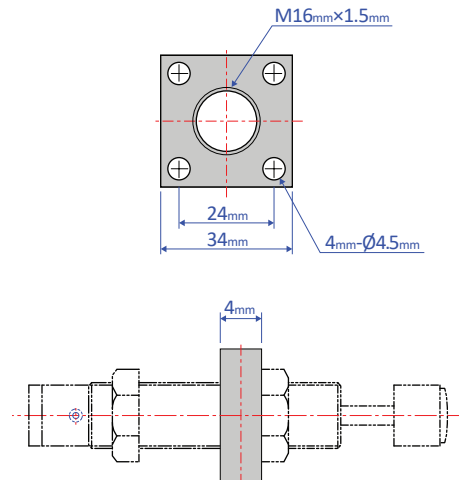
- A drip proof cap is fitted on the unit on delivery.
- Liquid-proof caps are not sold separately.
- Ensure that the cap is facing upward. If the cap is facing sideways or downward, it cannot provide an effective means for liquid proofing.



Mass 46g

Square flange OP-040XB

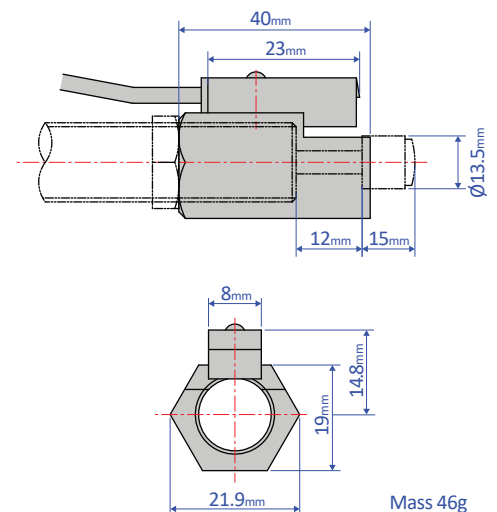
- Once the attachment site is determined, use the main unit's nut to securely fasten in place.



Mass 29g

Holder with a switch OP-030HB-2

- Although a holder with a switch can be ordered on its own, we strongly recommend ordering one with the main unit. Please include the main unit's model number when placing an order.



Mass 46g