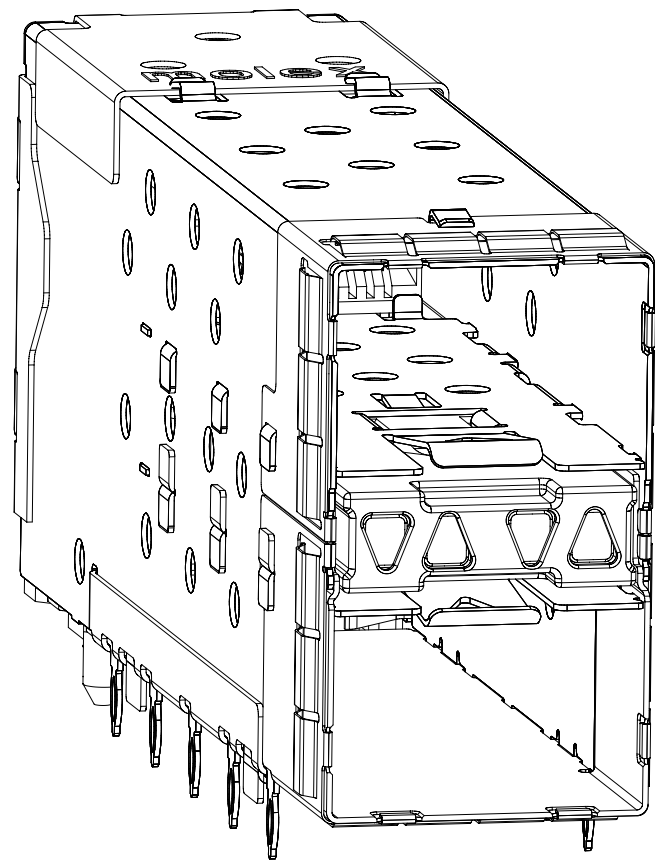


NOTES

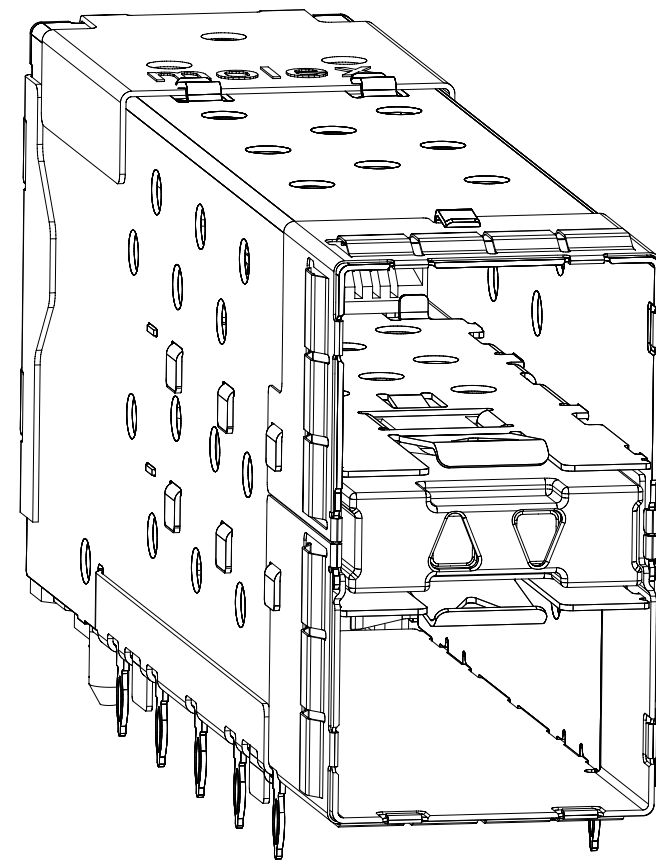
1. MATERIAL:
 - CAGE: NICKEL SILVER, THICKNESS: 0.25mm
 - CONNECTOR HOUSING: GLASS FILLED LIQUID CRYSTAL POLYMER (LCP), UL 94V-0, COLOR: BLACK
 - OVERMOLD TERMINAL HOUSING: GLASS FILLED LIQUID CRYSTAL POLYMER (LCP), UL 94V-0, COLOR: BLACK
 - TERMINALS: TIN BRASS
 - EMI GASKET: PHOS-BRONZE
 - LIGHTPIPE HOUSING: ZINC
 - LIGHTPIPES: POLYCARBONATE, UL 94 HB, COLOR: CLEAR
2. FINISHES:
 - TERMINALS: CONTACT AREA: 0.76 MICROMETERS MINIMUM HARD GOLD OVER 1.27 MICROMETERS MINIMUM NICKEL.
 - COMPLIANT TAIL - MATTE TIN/LEAD OPTION: 0.76 TO 1.52 MICROMETERS 90/10 MATTE TIN-LEAD OVER 0.76 MICROMETERS MINIMUM NICKEL.
 - COMPLIANT TAIL - MATTE TIN OPTION: 0.76 TO 1.52 MICROMETERS MATTE TIN OVER 0.76 MICROMETERS MINIMUM NICKEL.
 - LIGHTPIPE HOUSING: 80 MICROMETERS MINIMUM NICKEL OVER COPPER
 - EMI GASKET: 2.54 MICROMETERS MINIMUM NICKEL OVERALL
3. REFER TO PS-75310-001 PRODUCT SPEC FOR ALL ELECTRICAL, MECHANICAL, AND ENVIRONMENTAL SPECIFICATIONS.
4. LIGHTPIPE PAD LAYOUT IS FOR O805 LOW-PROFILE LED PACKAGE, FOR OTHER RECOMMENDED LAYOUTS REFER TO MOLEX'S REPORT TS-75310-001.
5. REFER TO PK-75462-001 FOR ALL PACKAGING SPECIFICATIONS.
6. THE SURFACES CONFORM TO THE MOLEX COSMETIC SPEC PS-45499-002. ALL EXTERIOR SURFACES TO BE CLASS "B" SURFACE EXCEPT THE UNDERSIDE (CLASS "C") OF THE CAGE (SIDE TOWARD THE PCB) AND AS OTHERWISE NOTED.
7. THE OVERALL CAGE WIDTH AT THE VERTICAL CENTER OF THE FRONT EDGE WILL FALL WITHIN THIS DIMENSION: 15.05+/-0.30 MM. THIS PORTION OF THE CAGE WILL FLEX INWARD AS THE CAGE IS BEING INSERTED INTO THE BEZEL OPENING.
8. REFER TO AS-76090-001 FOR HIGH SPEED ROUTING RECOMMENDATIONS.
9. DATE CODE LOCATION IS SHOWN ABOVE.
 - DATE CODE FORMAT: DDDY MX A1
 - DDD = DAY OF THE YEAR
 - Y = YEAR
 - MX = MOLEX
 - A = ALPHA CHARACTER - INDICATES MANUFACTURING LINE
 - 1 = NUMERIC CHARACTER - INDICATES PRODUCTION SHIFT

PART NUMBER	LIGHTPIPE CONFIGURATION (SEE VIEWS ON SHEET 2)	COMPLIANT TAIL PLATING
760445001	4 LIGHT PORTS	MATTE TIN
760445002	INNER 2 PORTS	MATTE TIN
760445003	OUTER 2 PORTS	MATTE TIN
760445004	OUTER 2 PORTS - SPECIAL CONFIG	MATTE TIN

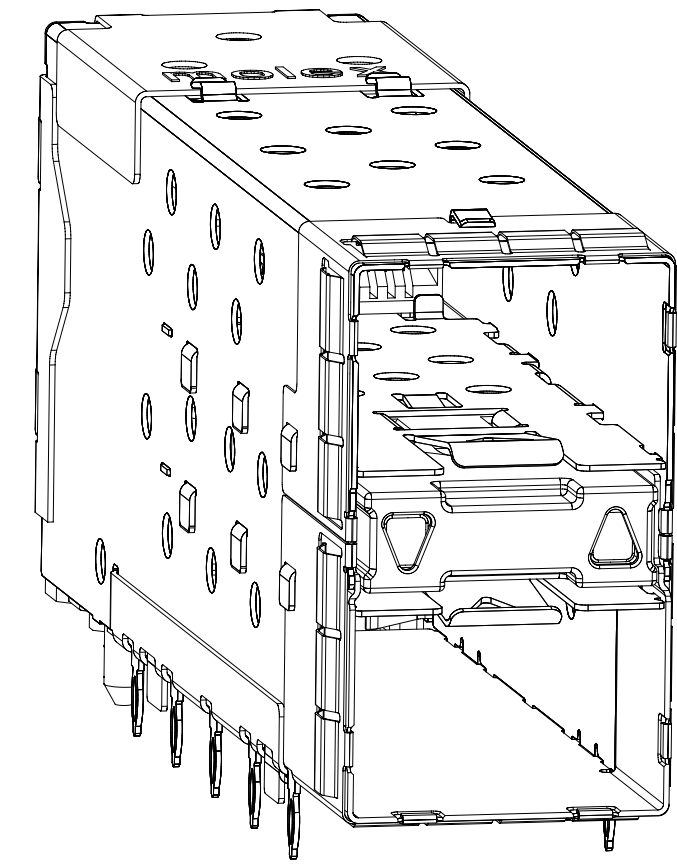
QUALITY SYMBOLS ▽ = 0 ▽ = 0 ▽ = 0 ▼ = 0 ▽ = 0 ⊠ = 0 ■ = 0 ▽ = 0	THIS DRAWING CONTAINS INFORMATION THAT IS PROPRIETARY TO MOLEX ELECTRONIC TECHNOLOGIES, LLC AND SHOULD NOT BE USED WITHOUT WRITTEN PERMISSION	GENERAL TOLERANCES (UNLESS SPECIFIED) ANGULAR TOL ± 5.0 ° 4 PLACES ± 3 PLACES ± 2 PLACES ± 0.13 1 PLACE ± 0.25 0 PLACES ±	DIMENSION UNITS	SCALE			
			mm	1:1			
SEE REVISION TABLE EC NO: 168912 DRWN: SVANG01 CHKD: SVANG01 REV: APPR: CHIRSCHY	2017/12/21 2017/12/21 2018/01/02	DRAFT WHERE APPLICABLE MUST REMAIN WITHIN DIMENSIONS	DRWN BY	DATE	STACKED SFP+ 2X1 ASS'Y WITH METAL EMI GASKET AND LIGHTPIPES		
			SVANG01	2015/06/11			
			CHKD BY	DATE			
			BBARKER	2015/06/17			
APPR BY	DATE	PRODUCT CUSTOMER DRAWING					
SMILLER	2015/06/30	SERIES	MATERIAL NUMBER	CUSTOMER			
		76044	SEE TABLE	GENERAL MARKET			
		DRAWING SIZE	THIRD ANGLE PROJECTION	DOCUMENT NUMBER	DOC TYPE	DOC PART	SHEET NUMBER
		C		SD-76044-001	PSD	001	1 OF 6



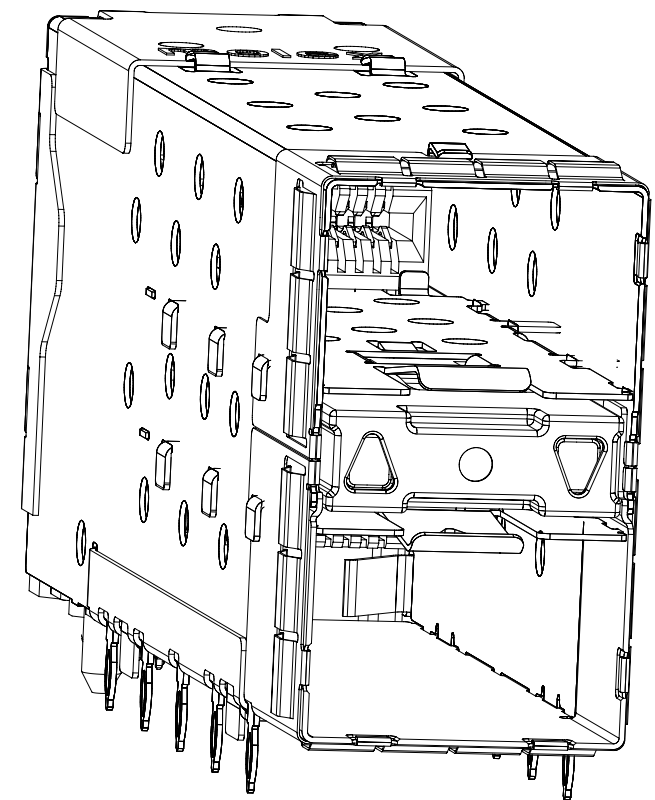
760440001 AND 760445001
WITH INNER AND OUTER LIGHTPIPES



760440002 AND 760445002
WITH INNER LIGHTPIPES

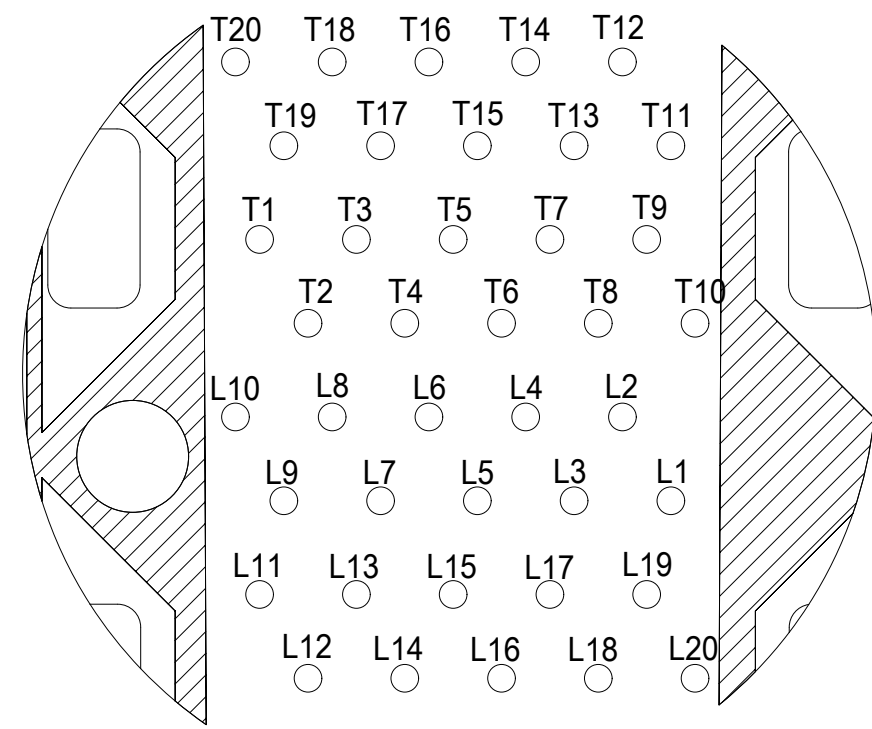


760440003 AND 760445003
WITH OUTER LIGHTPIPES

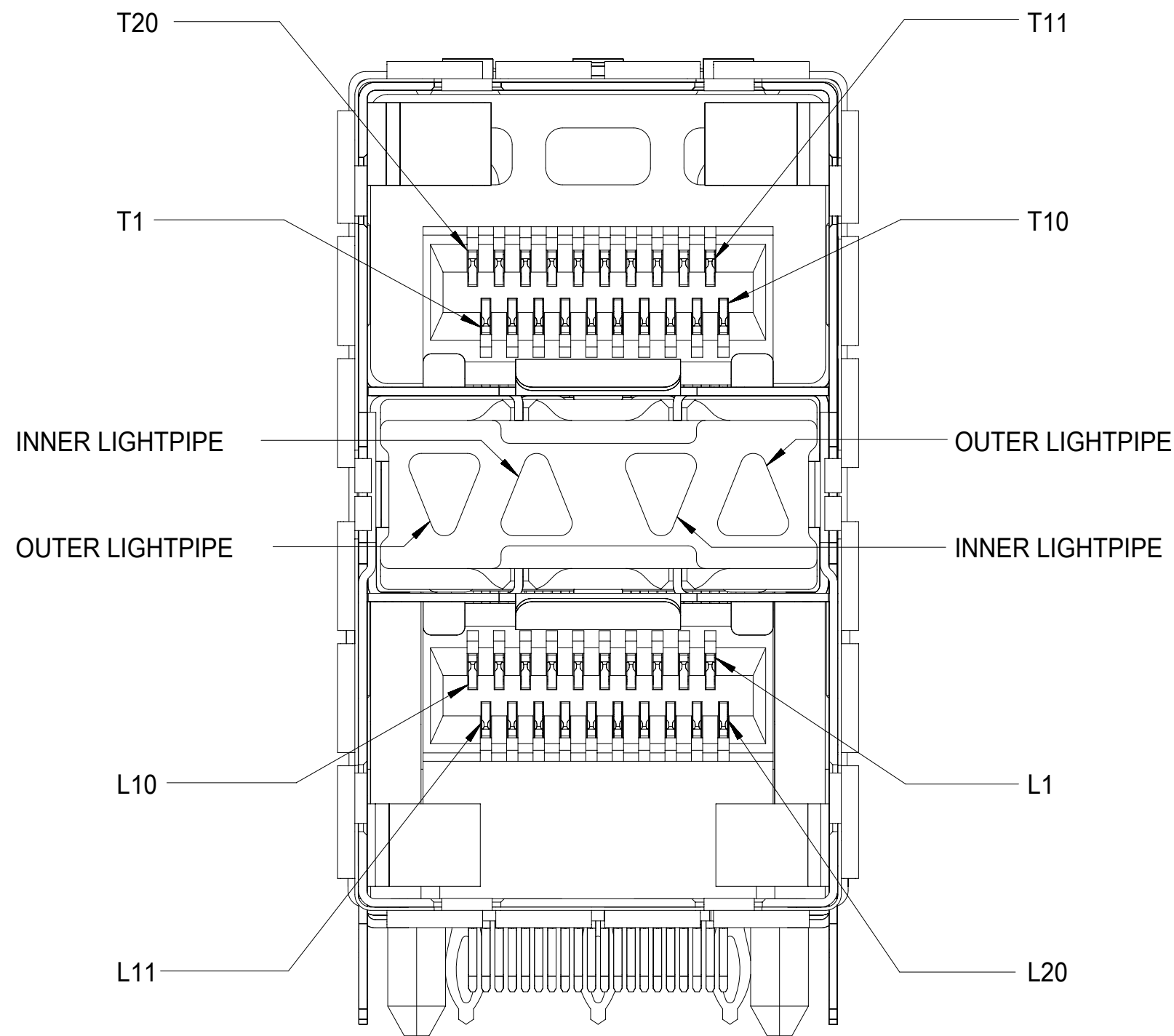


760445004
WITH OUTER LIGHTPIPES

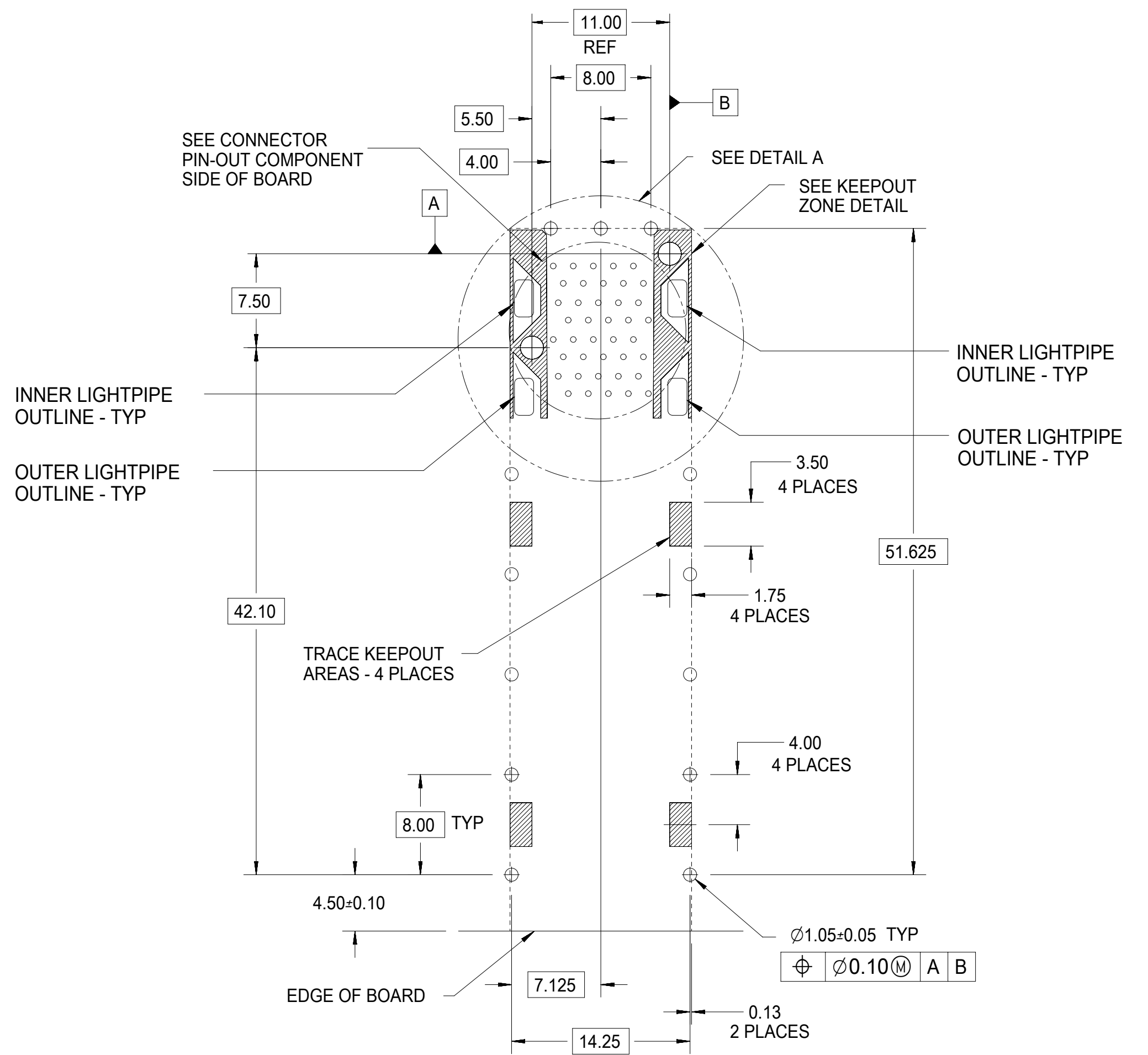
QUALITY SYMBOLS		THIS DRAWING CONTAINS INFORMATION THAT IS PROPRIETARY TO MOLEX ELECTRONIC TECHNOLOGIES, LLC AND SHOULD NOT BE USED WITHOUT WRITTEN PERMISSION											
▽ = 0	▽ = 0	SEE REVISION TABLE EC NO: 168912 DRWN: SVANG01 CHKD: SVANG01 REV / APPR: CHIRSCHY	2017/12/21 2017/12/21 2018/01/02	GENERAL TOLERANCES (UNLESS SPECIFIED)		DIMENSION UNITS	SCALE	molex STACKED SFP+ 2X1 ASS'Y WITH METAL EMI GASKET AND LIGHTPIPES					
▽ = 0	▽ = 0			ANGULAR TOL ± 5.0 °		mm	1:1						
▽ = 0	▽ = 0			4 PLACES ±	DRWN BY	DATE	SVANG01 2015/06/11		PRODUCT CUSTOMER DRAWING				
▼ = 0	▽ = 0			3 PLACES ±	CHKD BY	DATE	BBARKER 2015/06/17						
▽ = 0	▽ = 0			2 PLACES ± 0.13	APPR BY	DATE	SMILLER 2015/06/30		SERIES	MATERIAL NUMBER	CUSTOMER	GENERAL MARKET	
☒ = 0	■ = 0			1 PLACE ± 0.25	DRAWING SIZE		THIRD ANGLE PROJECTION	76044	SEE TABLE	GENERAL MARKET			
▽ = 0	▽ = 0	0 PLACES ±	DRAFT WHERE APPLICABLE MUST REMAIN WITHIN DIMENSIONS		C	DOCUMENT NUMBER		DOC TYPE	DOC PART	SHEET NUMBER			
						SD-76044-001	PSD	001	2 OF 6				



CONNECTOR PIN-OUT
COMPONENT SIDE OF BOARD
SCALE 10:1

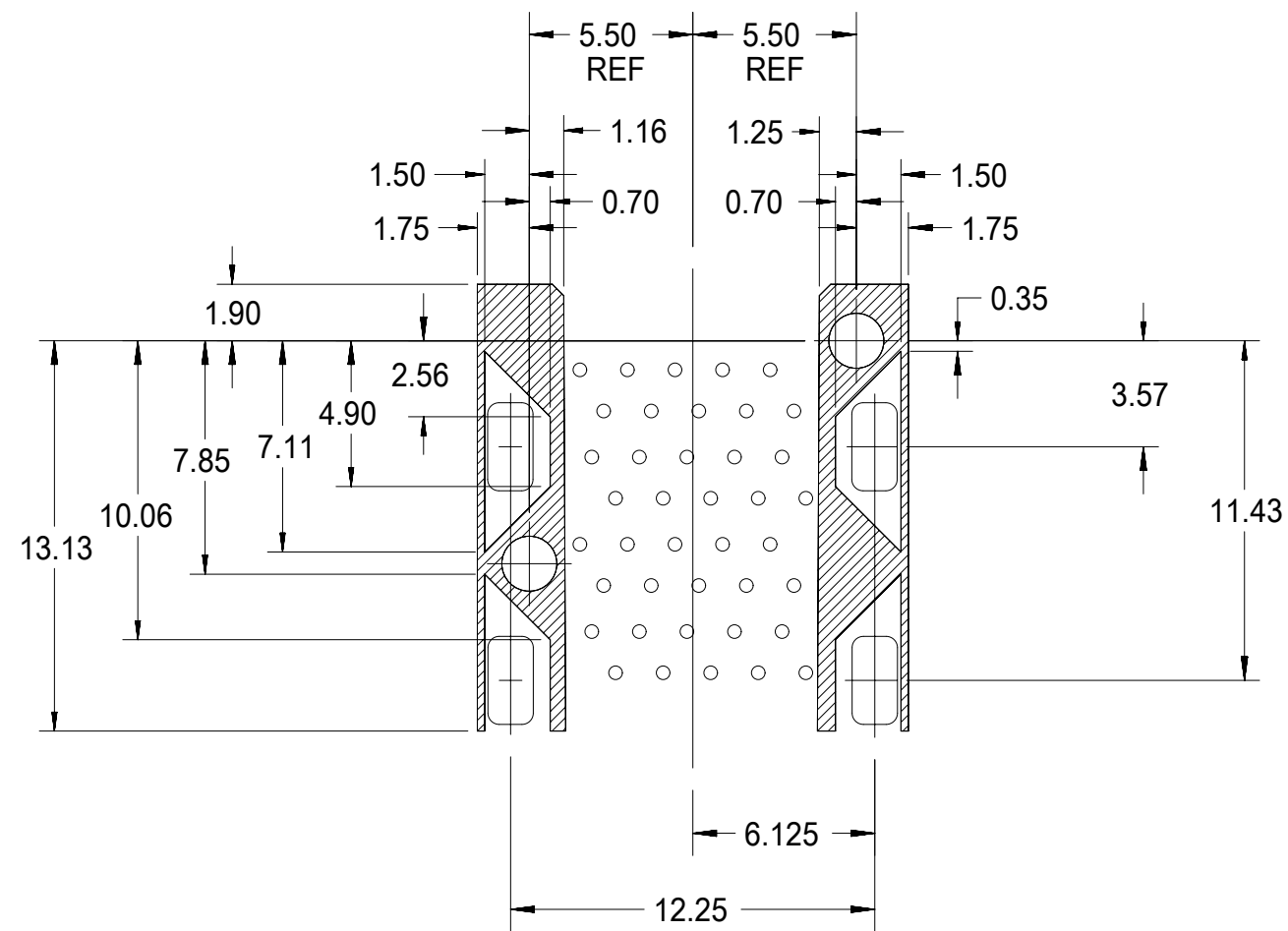


DETAIL 1
SCALE 6:1



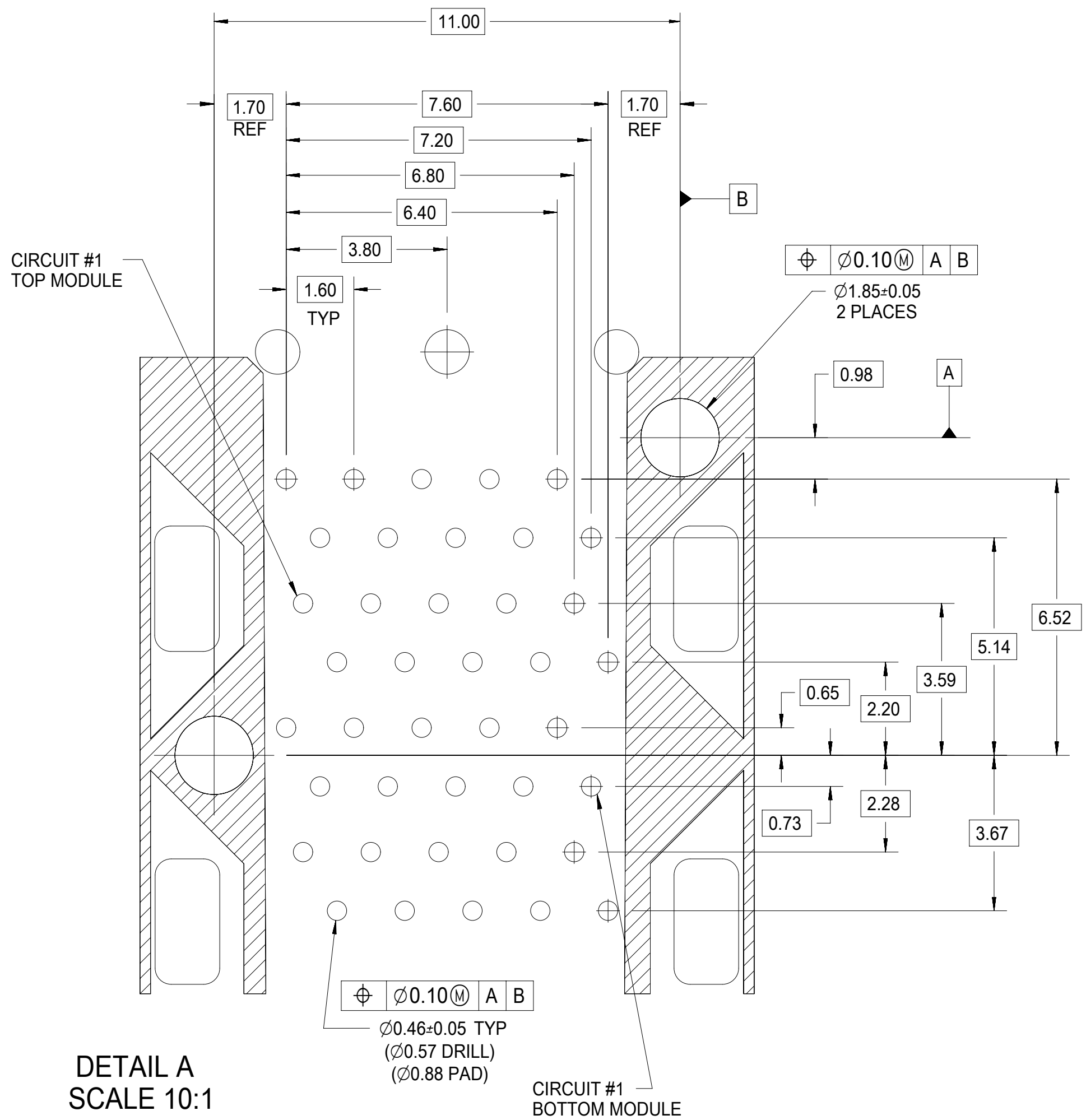
RECOMMENDED PCB LAYOUT - COMPONENT SIDE
RECOMMENDED PCB THICKNESS - 2.36 MM (.093 INCH)
THE ENTIRE AREA OF THE CONNECTOR FOOTPRINT
TO BE CONSIDERED THE KEEP OUT AREA FOR COMPONENTS
(OTHER THAN LIGHT PIPE LED'S).
THIS AREA IS INDICATED BY THE DASHED LINE

QUALITY SYMBOLS ▽ = 0 ▽ = 0 ▽ = 0 ▽ = 0 ▽ = 0 □ = 0 ■ = 0 ▽ = 0	THIS DRAWING CONTAINS INFORMATION THAT IS PROPRIETARY TO MOLEX ELECTRONIC TECHNOLOGIES, LLC AND SHOULD NOT BE USED WITHOUT WRITTEN PERMISSION				GENERAL TOLERANCES (UNLESS SPECIFIED) ANGULAR TOL ± 5.0 °	DIMENSION UNITS mm	SCALE 1:1			
	DRWN BY SVANG01	DATE 2015/06/11	CHKD BY BBARKER	DATE 2015/06/17		APPR BY SMILLER	DATE 2015/06/30		SERIES 76044	MATERIAL NUMBER SEE TABLE
SEE REVISION TABLE EC NO: 168912 DRWN: SVANG01 CHKD: SVANG01 REV: APPR: CHIRSCHY	2017/12/21 2017/12/21 2018/01/02	4 PLACES ± 3 PLACES ± 2 PLACES ± 0.13 1 PLACE ± 0.25 0 PLACES ±		DRAFT WHERE APPLICABLE MUST REMAIN WITHIN DIMENSIONS	DRAWING SIZE C	THIRD ANGLE PROJECTION 	DOCUMENT NUMBER SD-76044-001	DOC TYPE PSD	DOC PART 001	SHEET NUMBER 3 OF 6



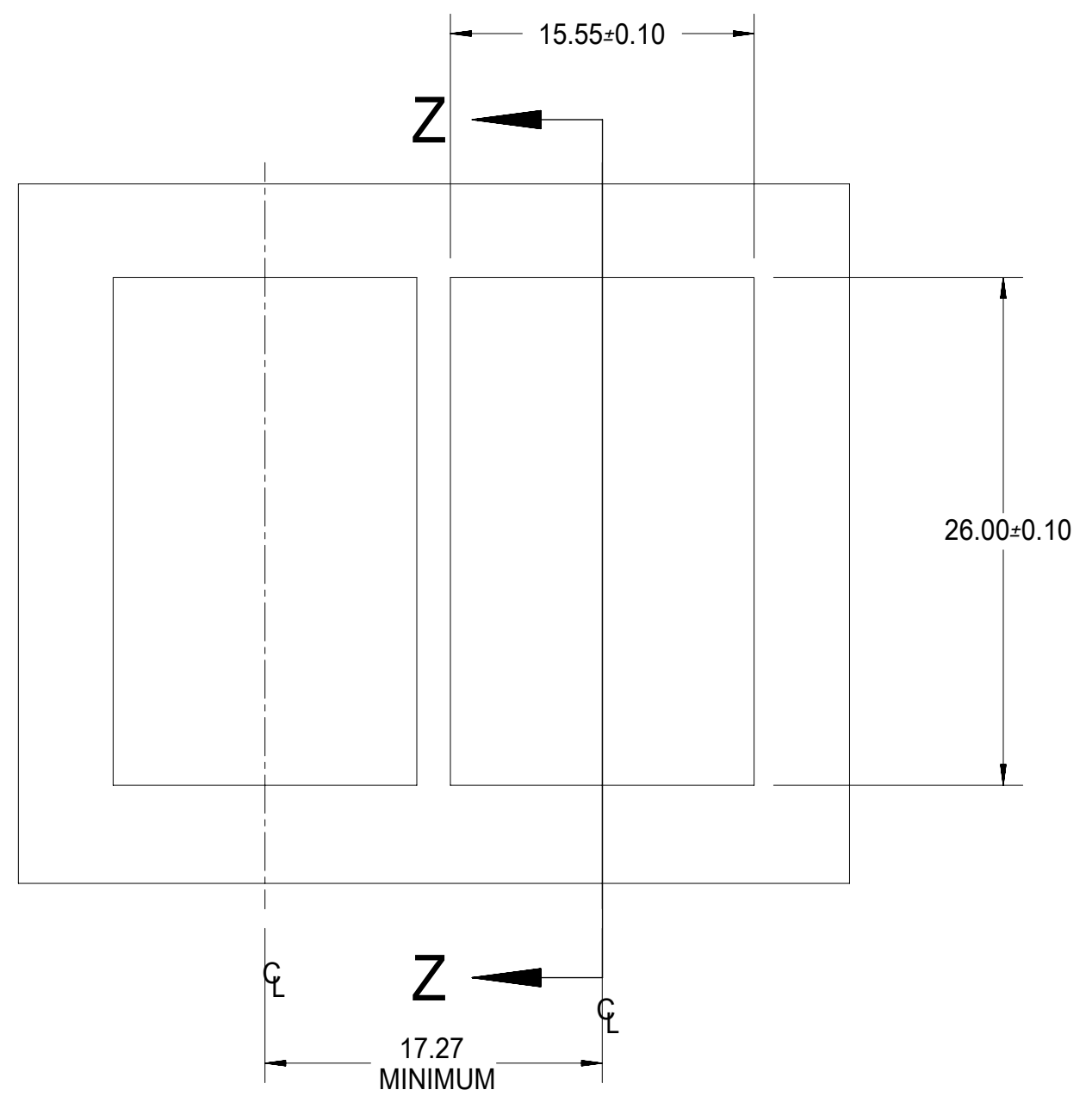
DETAIL - LIGHTPIPE AND OTHER ZONES
SCALE 8:1

THE HATCHED AREA IN THIS VIEW INDICATES ZONES THAT ARE OCCUPIED BY THE PLASTIC HOUSING THAT SEATS AGAINST THE PCB AND BY THE VERTICAL METAL CAGE WALL THAT STOPS JUST SHORT OF THE PCB

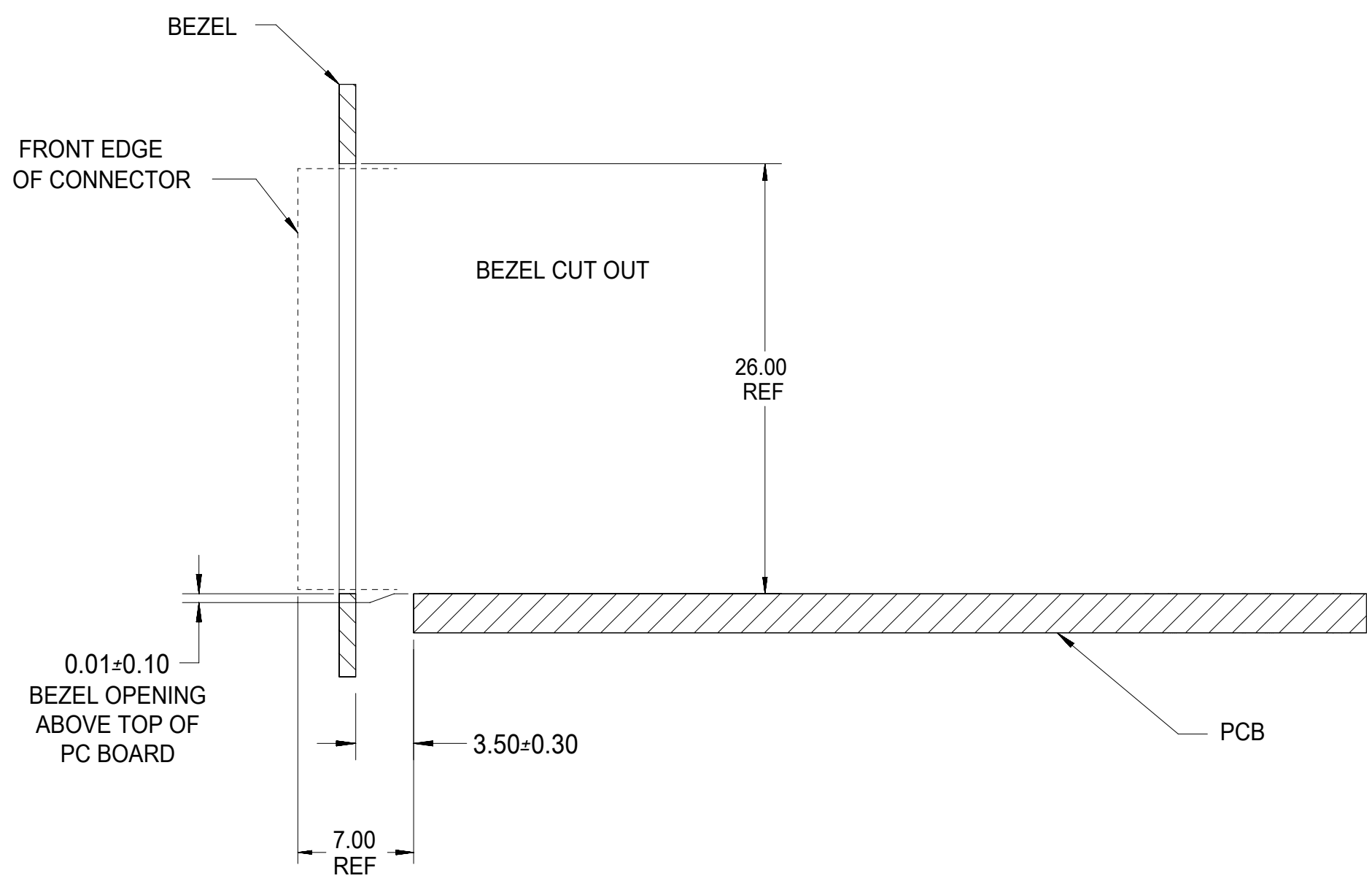


DETAIL A
SCALE 10:1

QUALITY SYMBOLS		THIS DRAWING CONTAINS INFORMATION THAT IS PROPRIETARY TO MOLEX ELECTRONIC TECHNOLOGIES, LLC AND SHOULD NOT BE USED WITHOUT WRITTEN PERMISSION		DIMENSION UNITS		SCALE			
▽ = 0	▽ = 0	mm	1:1	DRWN BY		DATE			
▽ = 0	▽ = 0	GENERAL TOLERANCES (UNLESS SPECIFIED)		SVANG01		2015/06/11		STACKED SFP+ 2X1 ASS'Y WITH METAL EMI GASKET AND LIGHTPIPES	
▽ = 0	▽ = 0	ANGULAR TOL ± 5.0 °		CHKD BY		DATE			
▽ = 0	▽ = 0	4 PLACES ±		BBARKER		2015/06/17		PRODUCT CUSTOMER DRAWING	
▽ = 0	▽ = 0	3 PLACES ±		APPR BY		DATE			
▽ = 0	▽ = 0	2 PLACES ± 0.13		SMILLER		2015/06/30		SERIES: 76044 MATERIAL NUMBER: SEE TABLE CUSTOMER: GENERAL MARKET	
▽ = 0	▽ = 0	1 PLACE ± 0.25		DRAWING SIZE		THIRD ANGLE PROJECTION		DOCUMENT NUMBER: SD-76044-001 DOC TYPE: PSD DOC PART: 001 SHEET NUMBER: 4 OF 6	
▽ = 0	▽ = 0	0 PLACES ±		C					
▽ = 0	▽ = 0	DRAFT WHERE APPLICABLE MUST REMAIN WITHIN DIMENSIONS							
▽ = 0	▽ = 0	SEE REVISION TABLE							
▽ = 0	▽ = 0	EC NO: 168912							
▽ = 0	▽ = 0	DRWN: SVANG01							
▽ = 0	▽ = 0	CHKD: SVANG01							
▽ = 0	▽ = 0	REV: APPR: CHIRSCHY							
▽ = 0	▽ = 0	2017/12/21							
▽ = 0	▽ = 0	2017/12/21							
▽ = 0	▽ = 0	2018/01/02							



BEZEL CUT-OUT CENTER SPACING DETAIL
BEZEL THICKNESS 0.8-2.6



SECTION Z-Z

QUALITY SYMBOLS ▽ = 0 ▽ = 0 ▽ = 0 ▼ = 0 ▽ = 0 ⊠ = 0 ■ = 0 ▽ = 0	THIS DRAWING CONTAINS INFORMATION THAT IS PROPRIETARY TO MOLEX ELECTRONIC TECHNOLOGIES, LLC AND SHOULD NOT BE USED WITHOUT WRITTEN PERMISSION									
	SEE REVISION TABLE		GENERAL TOLERANCES (UNLESS SPECIFIED)		DIMENSION UNITS		SCALE			
	EC NO: 168912 DRWN: SVANG01 CHKD: SVANG01 REV: APPR: CHIRSCHY		2017/12/21 2017/12/21 2018/01/02		mm		1:1			
	DRWN BY: SVANG01 DATE: 2015/06/11		ANGULAR TOL ± 5.0 °		DRWN BY: SVANG01 DATE: 2015/06/11		STACKED SFP+ 2X1 ASS'Y WITH METAL EMI GASKET AND LIGHTPIPES			
	CHKD BY: BBARKER DATE: 2015/06/17		4 PLACES ± 3 PLACES ± 2 PLACES ± 0.13 1 PLACE ± 0.25 0 PLACES ±		APPR BY: SMILLER DATE: 2015/06/30					
	DRAFT WHERE APPLICABLE MUST REMAIN WITHIN DIMENSIONS		DRAWING SIZE: C		THIRD ANGLE PROJECTION		PRODUCT CUSTOMER DRAWING			
	SERIES: 76044		MATERIAL NUMBER: SEE TABLE		CUSTOMER: GENERAL MARKET		DOCUMENT NUMBER: SD-76044-001		DOC TYPE: PSD DOC PART: 001 SHEET NUMBER: 5 OF 6	

REV	DATE	DESCRIPTION
J	11/21/2017	UPDATE VIEWS TO SHOW HOOKS AND POCKETS, CLARIFY NOTE 1, MASTERED TO NX AND RELEASE
K	11/28/2017	CHANGE REVISION G TO J IN REVISION TABLE, REMOVED OBSOLETE PART NUMBERS 76044-0001/0002/0003 FROM TABLE ON SHEET 1.
L	12/21/2017	UPDATE VIEW TO INDICATE ONLY 5 TAILS PER SIDE ON TOP COVER

QUALITY SYMBOLS		THIS DRAWING CONTAINS INFORMATION THAT IS PROPRIETARY TO MOLEX ELECTRONIC TECHNOLOGIES, LLC AND SHOULD NOT BE USED WITHOUT WRITTEN PERMISSION									
▽ = 0	SEE REVISION TABLE EC NO: 168912 DRWN: SVANG01 CHKD: SVANG01 APP: CHIRSCHY	2017/12/21 2017/12/21 2018/01/02	GENERAL TOLERANCES (UNLESS SPECIFIED)			DIMENSION UNITS	SCALE	molex STACKED SFP+ 2X1 ASS'Y WITH METAL EMI GASKET AND LIGHTPIPES			
▽ = 0			ANGULAR TOL ± 5.0 °			mm	1:1				
▽ = 0			4 PLACES ±			DRWN BY	DATE	PRODUCT CUSTOMER DRAWING			
▽ = 0			3 PLACES ±			SVANG01	2015/06/11				
▽ = 0			2 PLACES ± 0.13			CHKD BY	DATE	SERIES MATERIAL NUMBER CUSTOMER 76044 SEE TABLE GENERAL MARKET			
▽ = 0			1 PLACE ± 0.25			BBARKER	2015/06/17				
▽ = 0			0 PLACES ±			APPR BY	DATE	DOCUMENT NUMBER DOC TYPE DOC PART SHEET NUMBER SD-76044-001 PSD 001 6 OF 6			
▽ = 0			DRAFT WHERE APPLICABLE MUST REMAIN WITHIN DIMENSIONS			SMILLER	2015/06/30				
▽ = 0						DRAWING SIZE	THIRD ANGLE PROJECTION				
▽ = 0						C					