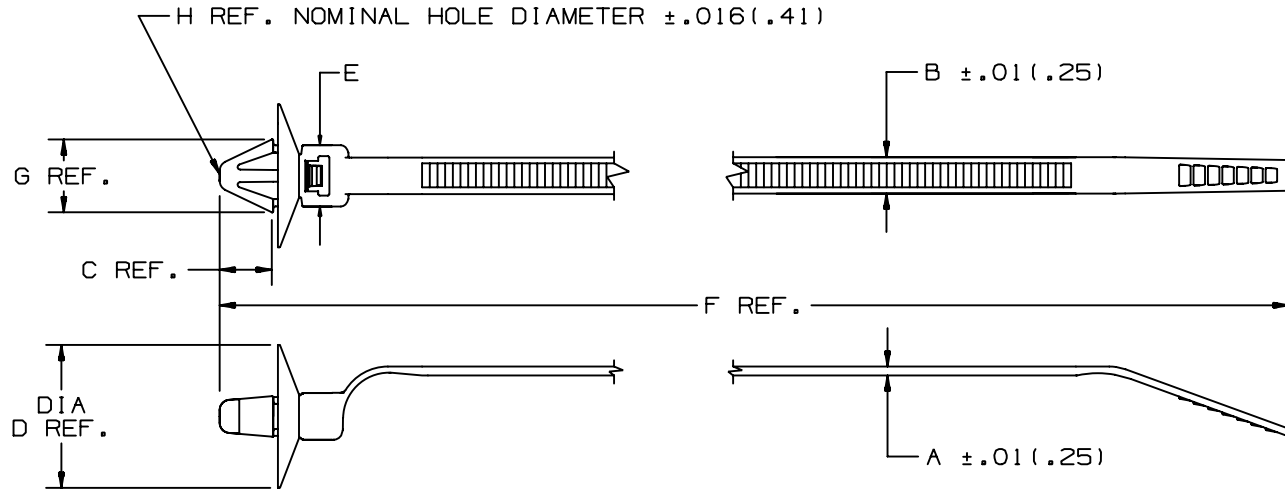


THIS COPY IS PROVIDED ON A RESTRICTED BASIS AND IS NOT TO BE USED IN ANY WAY DETRIMENTAL TO THE INTERESTS OF PANDUIT CORP.



PANDUIT PART NO.	BUNDLE DIA.		A in (mm)	B in (mm)	C in (mm)	D in (mm)	E in (mm)	F in (mm)	G in (mm)	H in (mm)	MAX. PANEL THICKNESS in (mm)	MIN. LOOP TENSILE lbs (N)	CROSS SECTION	WEIGHT 100 pcs lbs (g)
	MIN. in (mm)	MAX. in (mm)												
PLUP40S	.197 (5)	1.57 (40)	.047 (1.2)	.190 (4.8)	.295 (7.5)	.744 (18.9)	.320 (8.1)	6.97 (177)	.378 (9.6)	.266 (6.8)	.050 (1.3)	50 (222)	STANDARD	.31 (141)

DIMENSIONS IN PARENTHESES ARE IN METRIC UNITS

PANDUIT CORP. TINLEY PARK, ILLINOIS

PLUP40S
UMBRELLA WINGED PUSH MOUNT CABLE TIE

UNLESS OTHERWISE SPECIFIED,
DIMENSIONAL TOLERANCES ARE:
(.X) ± .1 (.25) (.XXX) ± .020 (.51)
(.XX) ± .02 (.5) ANGLES ± ---

UNLESS OTHERWISE SPECIFIED,
ALL DIMENSIONS ARE GIVEN
IN INCHES, THIRD ANGLE PROJECTION.

REV	DATE	BY	CHK	DESCRIPTION	ECN	R	CUST	SUP	DRAWN BY	MAT'L:	SCALE	DRAWING NO.	DWG SIZE
9	11/24/04	ERW		CHANGED MIN. LOOP TENSILE TO 50 (222mm).	27066		9		BSH		NONE		
8	11/1/04	JABC	JVL	CHANGED FORMAT FOR CONSISTENCY SEE ECN FOR DETAILS	27066		8	JVL	DATE 11/13/96	NYLON 6.6		SS-27066	A
									CHK'D JML				