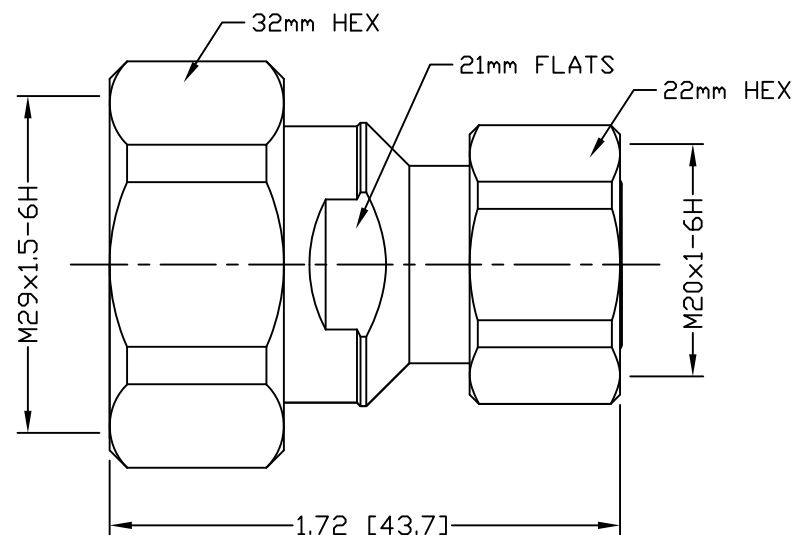


PART NO.

RFD-1686-4

REV	DESCRIPTION	DWN	DATE	APPROVED
A	UPDATED ELECTRICAL SPECS	CZS	06/16/20	JDMc

SPECIFICATIONS:

IMPEDANCE: 50 Ohms
 FREQUENCY RANGE: 0-6 GHz
 3rd ORDER IM: $\leq -160\text{dBc}$ (RELATIVE TO CARRIER)
 3rd ORDER IM TEST METHOD: 2x43dBm CARRIERS
 VSWR: $\leq 1.15:1$
 DIELECTRIC WITHSTANDING VOLTAGE: 2000V/AC
 INSULATION RESISTANCE: 1000M Ω
 DC TEST VOLTAGE: 2500V
 INNER CONTACT RESISTANCE: 1m Ω MAX
 OUTER CONTACT RESISTANCE: 1m Ω MAX
 COUPLING NUT PROOF TORQUE (7/16 DIN): 35N-m / 25 ft lbs
 COUPLING NUT PROOF TORQUE 4.3/10: 7N-m / 5 ft lbs
 AVERAGE POWER, INNER CONDUCTOR TEMPERATURE: 100°C / 212°F
 OPERATING TEMPERATURE: -40° to +155°
 INTERFACE DURABILITY: 100 CYCLES
 REGULATORY COMPLIANCE/CERTIFICATIONS: RoHS/IP68

NOTE: BOTH CONNECTORS WILL HAVE PROTECTIVE CAPS ON

6	RETAINING RING	1	BRASS	WHITE BRONZE
5	COUPLING NUT	1	BRASS	WHITE BRONZE
4	O-RING	1	S.I. RUBBER	RED
3	INSULATOR	1	PTFE	WHITE
2	CONTACT	1	BeCu	SILVER
1	BODY	1	BRASS	WHITE BRONZE
#	DESCRIPTION	QTY	MATERIAL	FINISH

CUSTOMER
OUTLINE DRAWINGALL DIMENSIONS
ARE REFERENCE ONLYUNLESS OTHERWISE SPECIFIED:
DIMENSIONS ARE IN INCHES
AND [MILLIMETERS]DRAWN
C. ZUNIGA 06/16/20

CHECKED

ORJ DRAWN
C. ZUNIGA 06/22/15**RoHS
COMPLIANT**

PROPRIETARY AND CONFIDENTIAL
 THIS DRAWING CONTAINS
 INFORMATION PROPRIETARY TO
 RF INDUSTRIES. ANY
 UNAUTHORIZED USE OF THIS
 DRAWING IS EXPRESSLY
 PROHIBITED WITHOUT WRITTEN
 PERMISSION FROM RF
 INDUSTRIES. ANY VIOLATION IS
 PUNISHABLE UNDER U.S.
 COPYRIGHT LAWS.

RFconnectors

7610 MIRAMAR RD.
 SAN DIEGO, CA 92126
 (858) 549-6340
 DIVISION OF RF INDUSTRIES, LTD. (858) 549-6345 FAX

**7/16 DIN MALE TO
4.3/10 MALE ADAPTER**

SIZE	CABLE GROUP	DWG NO.	REVISION
A	N/A	RFD-1686-4	A
SCALE:	ENGINEERING ID:	SHEET 1 OF 1	
NTS	000000		