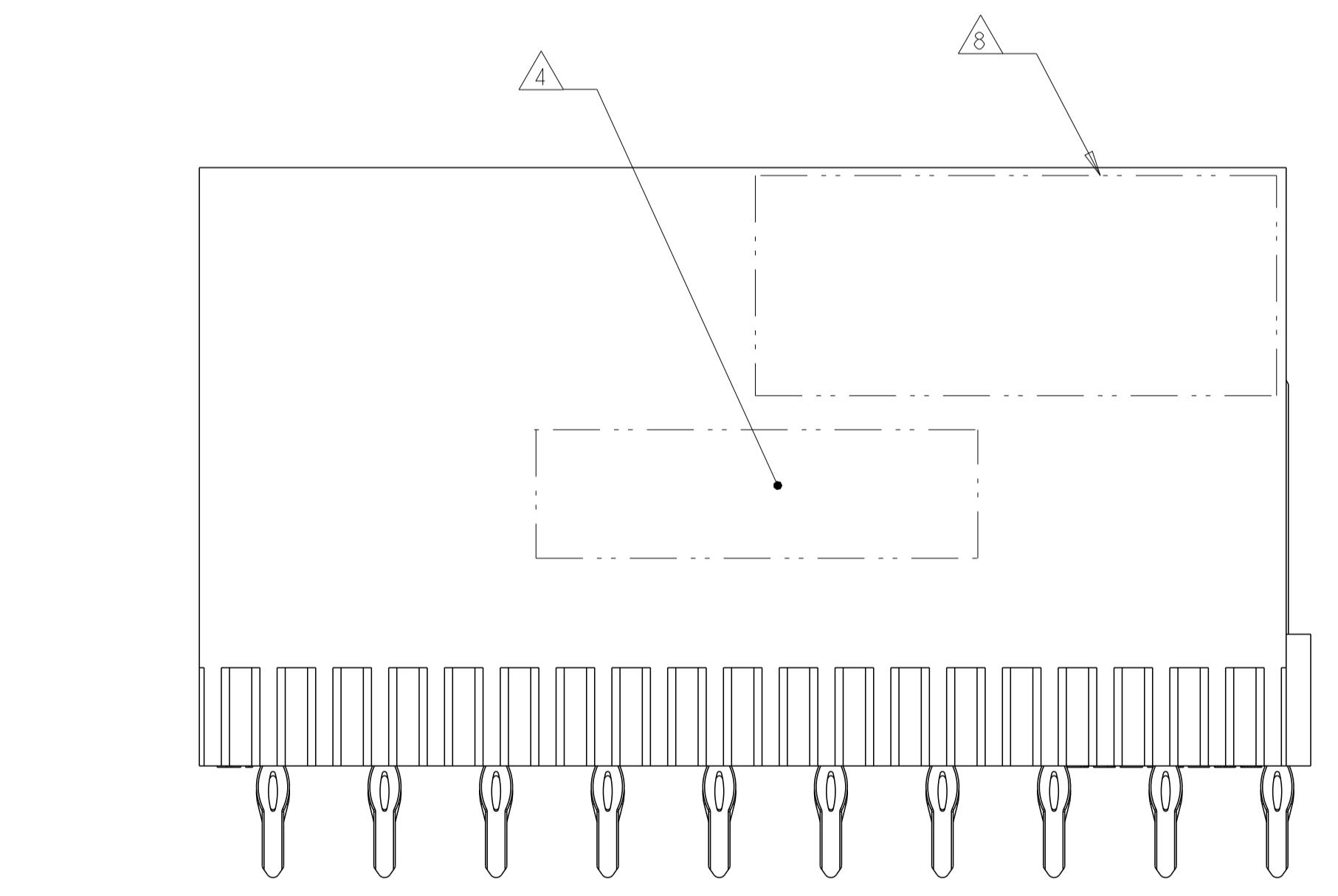
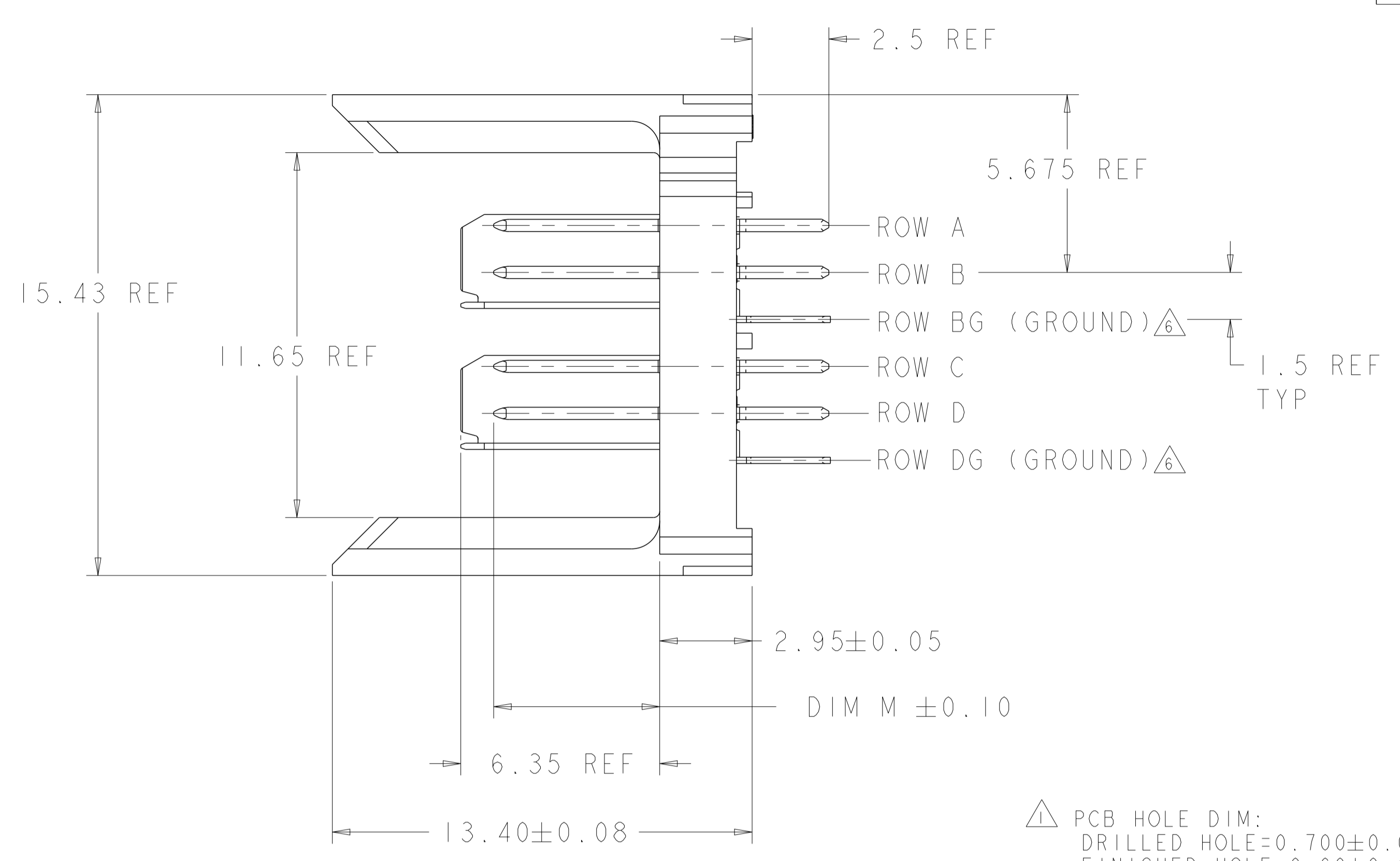
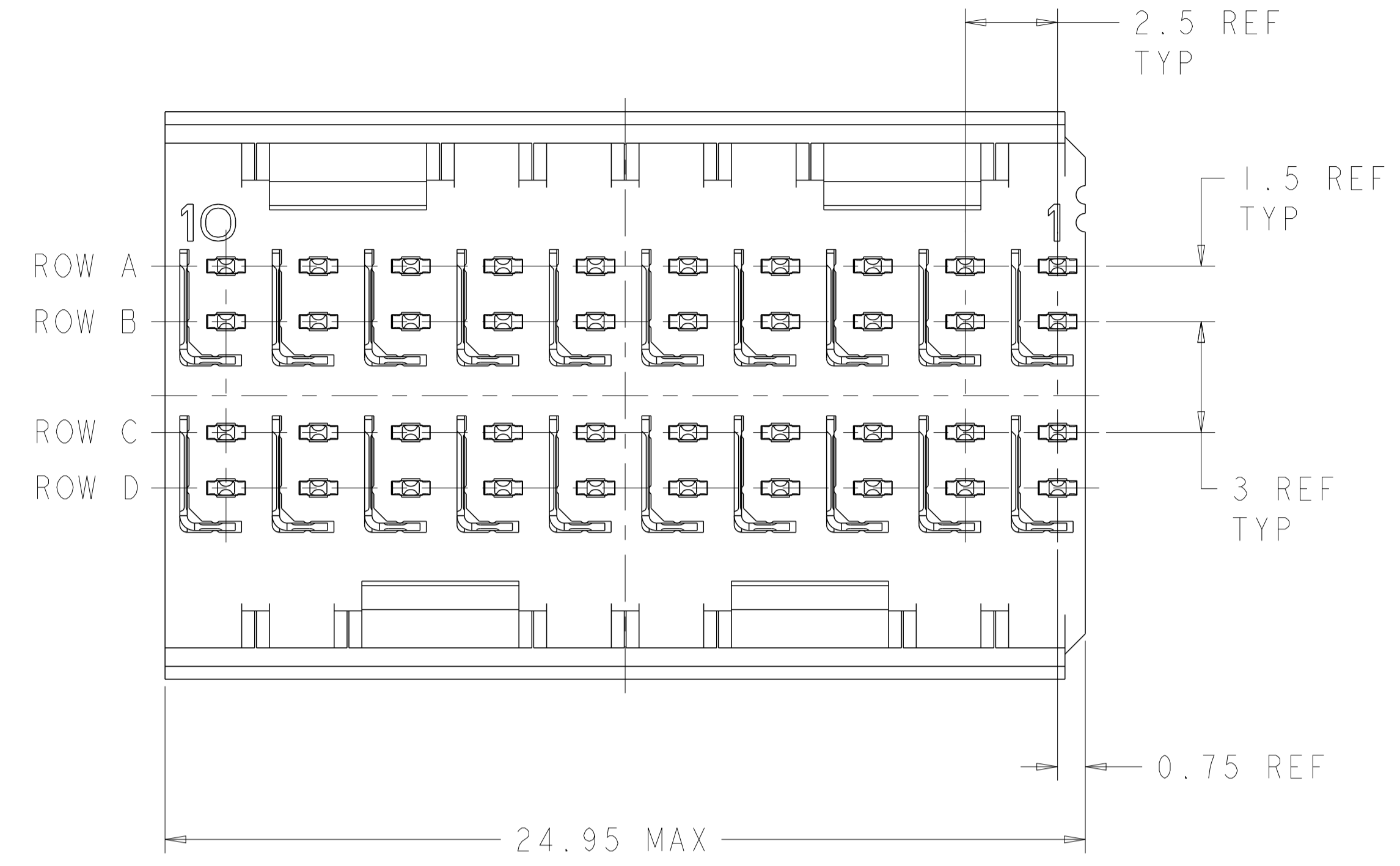
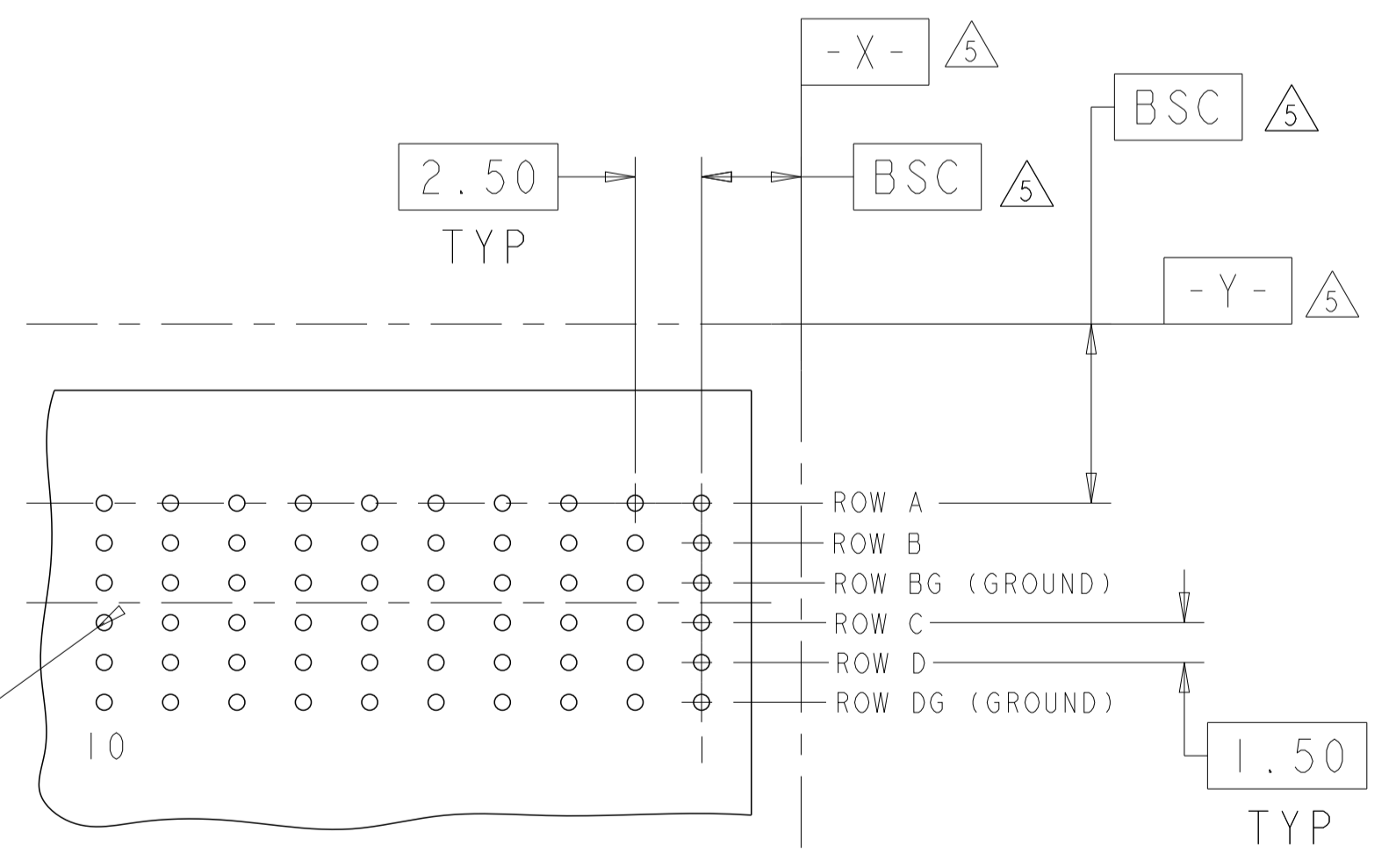


REVISIONS				
P	LTN	DESCRIPTION	DATE	APVD
B		REVISED PER ECO-18-018129	23OCT2019	AP DS



⊕ ∅0.05Ⓢ X Y
ALL PLATED THRU HOLES



RECOMMENDED PC BOARD LAYOUT, BACKPLANE, COMPONENT SIDE SHOWN SCALE 4:1

- ⚠ PCB HOLE DIM:
DRILLED HOLE=0.700±0.025mm
FINISHED HOLE=0.60±0.05mm
Cu-THICKNESS=0.0375±0.0125mm
SnPb THICKNESS=0.007±0.003mm
- ⚠ MATERIAL:
CONTACT AND SHIELD - PHOSPHOR BRONZE
HOUSING - GLASS FILLED POLYESTER
- ⚠ FINISH: CONTACT AND SHIELD
MATING AREA - 0.76µm MIN GOLD OVER 1.27µm MIN NICKEL
COMPLIANT PIN AREA - 0.5µm MIN BRIGHT TIN OVER 1.27µm MIN NICKEL
- ⚠ CONNECTOR MARKED WITH PART NUMBER AND DATE CODE
- ⚠ DATUMS AND BASIC DIMENSIONS ESTABLISHED BY CUSTOMER
- ⚠ THE TWO GROUNDS IN EACH COLUMN ARE COMMONED
- 7. CONTACT AREA LUBRICATED WITH BELLCORE APPROVED LUBRICANT. TECHNICAL REFERENCE: GR-1217-CORE, ISSUE 1, NOVEMBER 1995
- ⚠ TE OR TE CONNECTIVITY LOGO IS LOCATED.

THIS PRODUCT HAS NOT COMPLETED VALIDATION TESTING

5.30	1469323-1
DIM M	PART NUMBER

THIS DRAWING IS A CONTROLLED DOCUMENT.		OWN: DK_SCHRUM 23JUN2003	
DIMENSIONS:		CHK: RA_PATTERSON 23JUN2003	
mm	TOLERANCES UNLESS OTHERWISE SPECIFIED:	APVD:	NAME: HEADER ASSEMBLY, 2 PAIR, 2.5mm TAIL, 25mm, HMZd
0 PLC	±	PRODUCT SPEC:	APPLICATION SPEC:
2 PLC	±	SIZE:	CAGE CODE: 1469323
3 PLC	±	WEIGHT:	RESTRICTED TO:
4 PLC	±	CUSTOMER DRAWING	SCALE: 8:1 SHEET 1 OF 1 REV B
ANGLES	±		
FINISH	±		