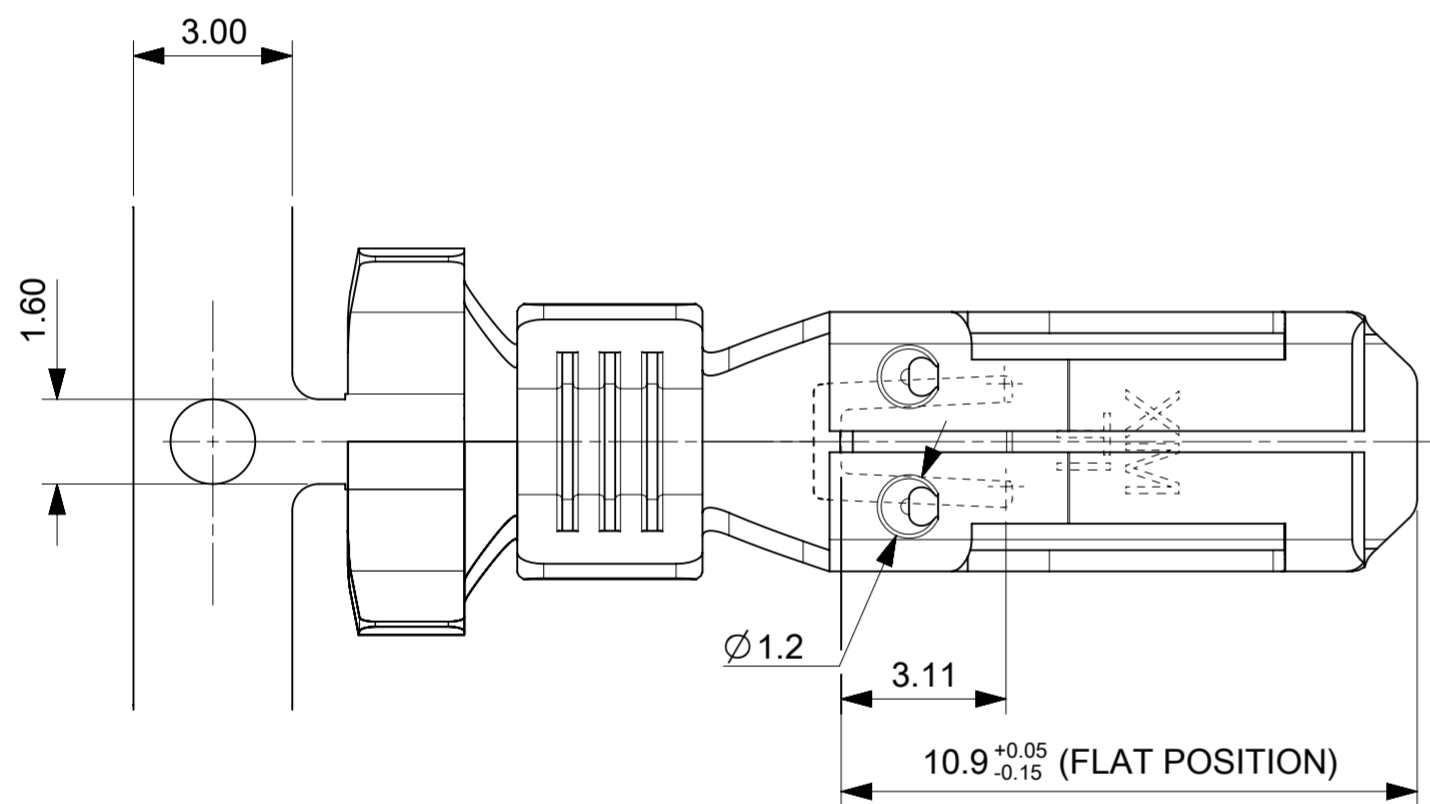


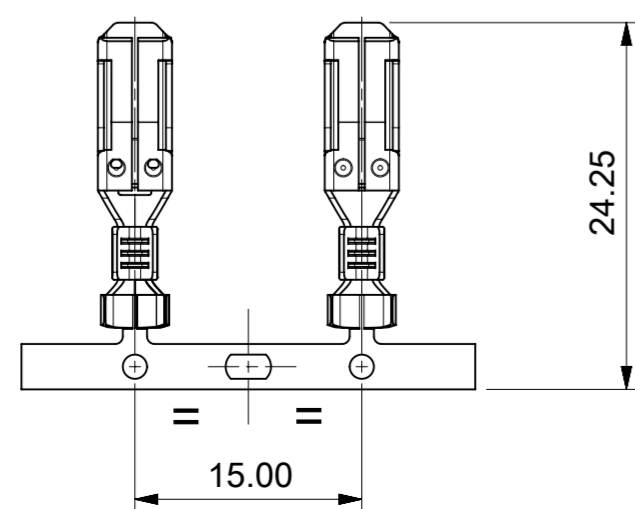
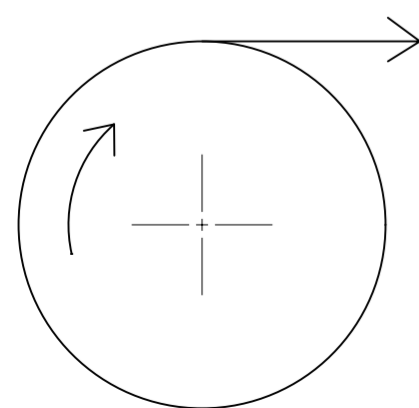
SECTION A-A

SECTION B-B



P/N	PLATING	MATERIAL	WIRE RANGE	INS. RANGE	DIMENSION				
					A	B	C	D	E
94518-0100	PLAIN	BRASS	0.5 - 1.0	2.2 - 2.8	4.5	4.5	3.0	3.0	/
94518-0101	TIN								
94518-0200	PLAIN	BRASS	1.0 - 2.5 FOR SINGLE DOUBLE CABLES	2.6 - 3.8	5.5	5.5	4.1	4.3	/
94518-0201	TIN								
94518-0400	PLAIN	BRASS	1.5 - 3.0 FOR DOUBLE CABLES	-	7.3	5.1	5.2	4.0	1.8
94518-0401	TIN								
94518-0300	PLAIN	BRASS	4.0	3.4 - 3.7	5.5	5.5	5.0	5.1	/
94518-0301	TIN								

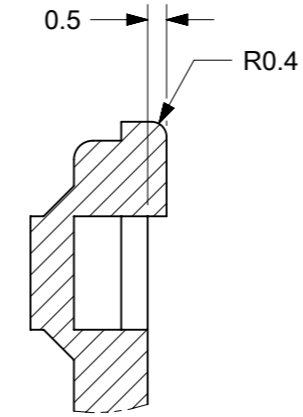
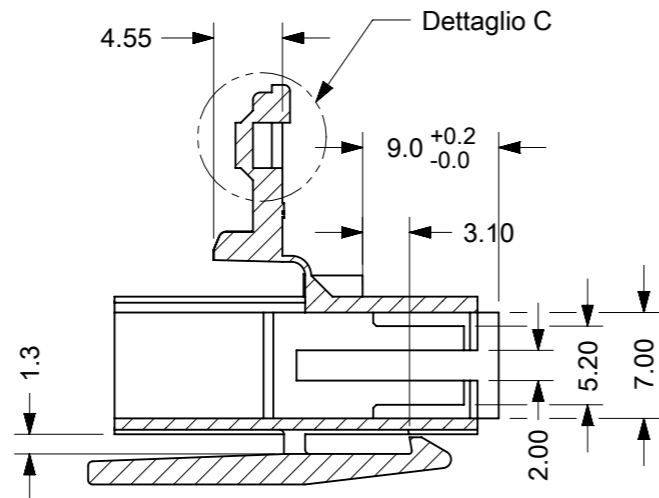
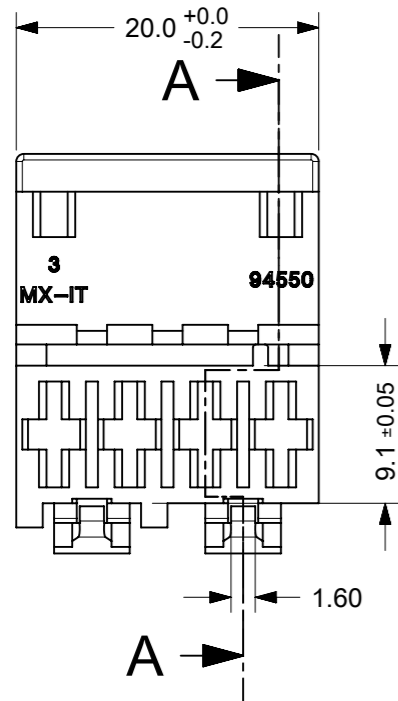
DIRECTION OF UNREELING



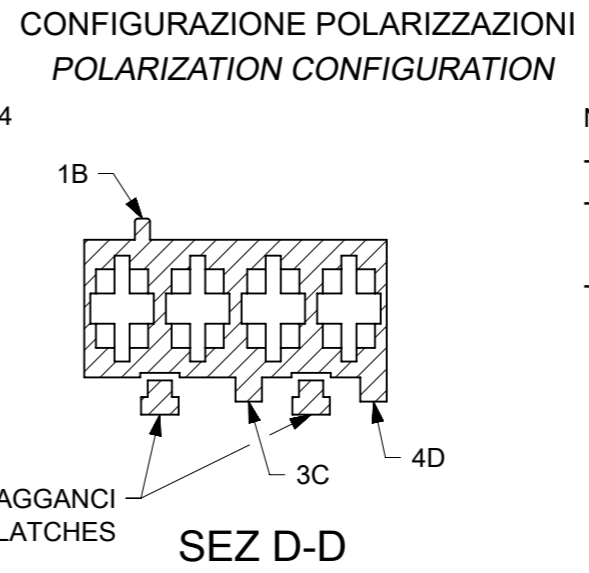
PACKAGING: REFER 945180001-PK

STD. DESCRIPTION: HNF TERM (material-plating-wire gauge)

FUNCTIONAL SYMBOLS	THIS DRAWING CONTAINS INFORMATION THAT IS PROPRIETARY TO MOLEX ELECTRONIC TECHNOLOGIES, LLC AND SHOULD NOT BE USED WITHOUT WRITTEN PERMISSION											
	DIMENSION UNITS	SCALE	CURRENT REV DESC: REMOVED PN: 94518-0120,-0121,-0220,-0221									
$F_A = 0$	mm	7:1	GENERAL TOLERANCES (UNLESS SPECIFIED)									<b>RAST 5 CRIMP TERMINAL</b>
$F_C = 0$	ANGULAR TOL ± 2.0°		EC NO: 657968							<b>PRODUCT CUSTOMER DRAWING</b>		
$F_P = 0$	4 PLACES ±		DRWN: SCV 2021/03/09									DOCUMENT NUMBER: <b>945180001</b>   DOC TYPE: PSD   DOC PART: 000   REVISION: A1
DIVISIONAL SYMBOLS		3 PLACES ±		CHK'D: MBN02 2021/03/15							MATERIAL NUMBER: SEE TABLE   CUSTOMER: GENERAL MARKET   SHEET NUMBER: 1 OF 1	
		2 PLACES ± 0.1		APPR: SDEVITT 2021/03/22								
		1 PLACE ± 0.2		INITIAL REVISION: DRWN: AKABADI 2021/01/07								
		0 PLACES ±		APPR: SDEVITT 2021/02/25								
DRAFT WHERE APPLICABLE MUST REMAIN WITHIN DIMENSIONS		THIRD ANGLE PROJECTION		DRAWING: A2-SIZE		SERIES: 94518		MATERIAL NUMBER: SEE TABLE		CUSTOMER: GENERAL MARKET		



Dettaglio C  
SCALE 5:1

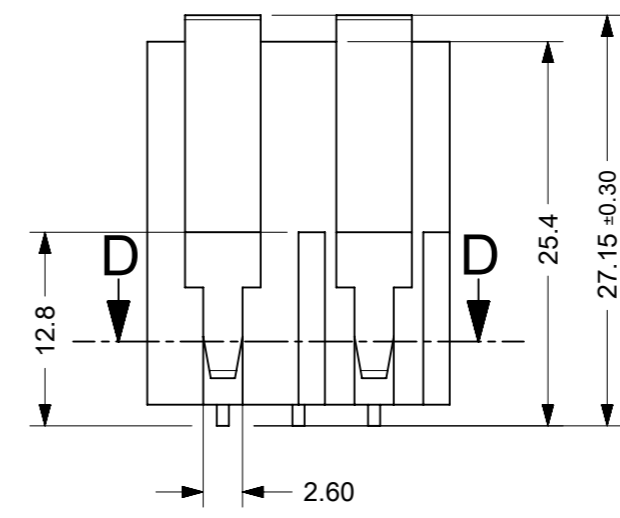
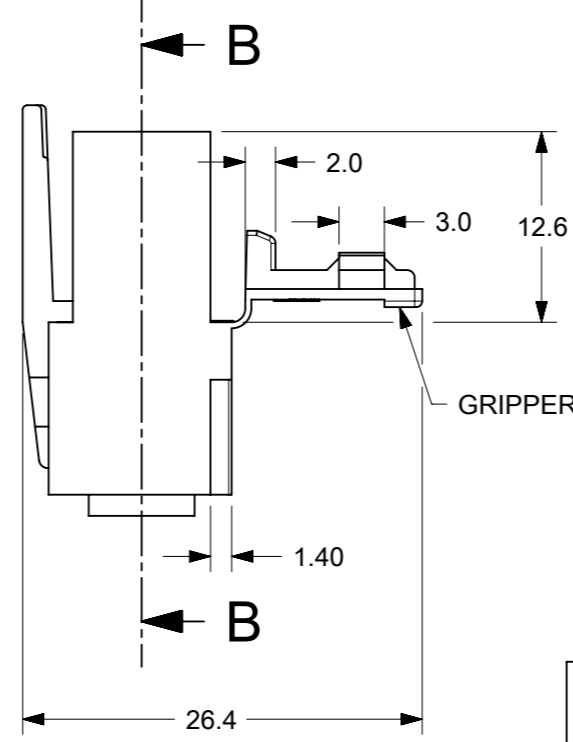
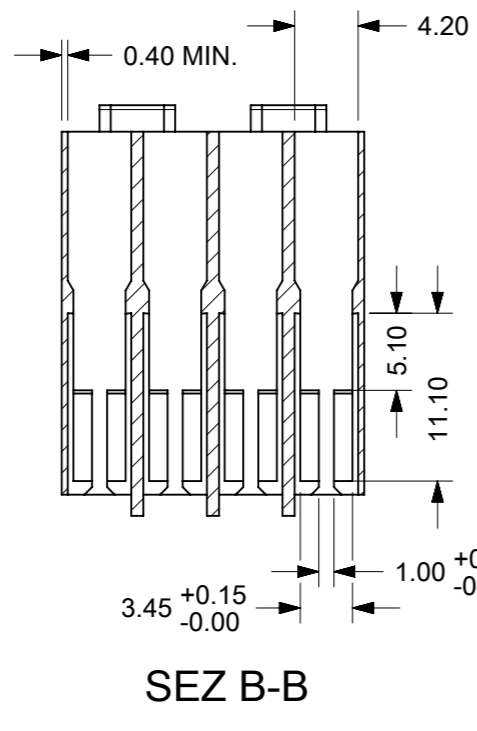
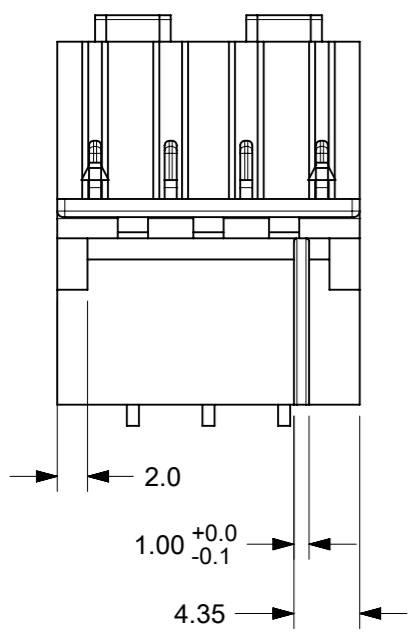


CONFIGURAZIONE POLARIZZAZIONI  
POLARIZATION CONFIGURATION

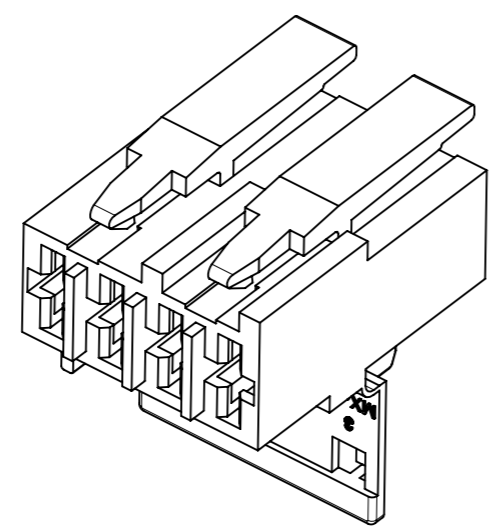
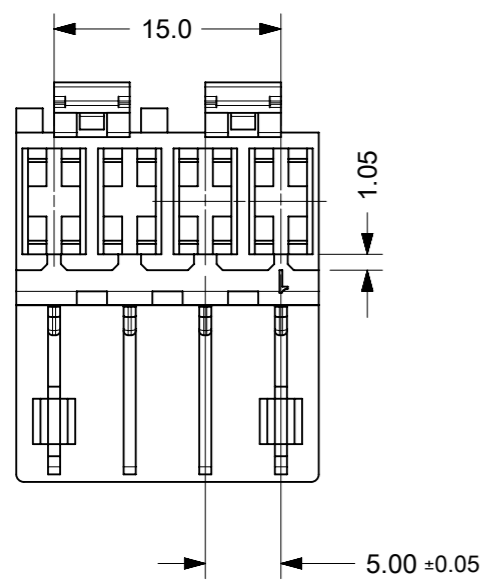
NOTE:  
- USATO CON TERMINALE 94518-0XXX E 94549-0XXX  
- SPECIFICA DI RIFERIMENTO PER IL CONNETTORE PS-94550-001  
- SPESSORE MINIMO PARETI CONNETTORE 0.40 mm.

NOTE:  
- USED WITH TERMINALS 94518-0XXX AND 94549-0XXX  
- REFER TO PS-94550-001 FOR CONNECTOR SPECIFICATION  
- MINIMUM CONNECTOR WALL THICKNESS 0.40 mm.

PACKAGING (SPQ): 1800 pcs in carton box  
CONFEZIONE (SPQ): Box da 1800 Pz.



\*AGENCY  
RECOGNIZATIONS  
CSA (file LR19980)  
UL (file E-29179)



P/N	MATERIAL / COLOUR
* 94550-9004	NYLON 6.6 V0 NATURAL GWT 550°C
94550-4004	NYLON 6.6 GWT 750°C sec.IEC 60335-1 TEST METHOD IEC 60695-2-11 NATURAL

THIS DRAWING CONTAINS INFORMATION THAT IS PROPRIETARY TO MOLEX ELECTRONIC TECHNOLOGIES, LLC AND SHOULD NOT BE USED WITHOUT WRITTEN PERMISSION											
DIMENSION UNITS <b>mm</b>		SCALE <b>2:1</b>		CURRENT REV DESC: OBSOLETE PART NUMBER AS PER PCN#508521						<b>molex</b>	
GENERAL TOLERANCES (UNLESS SPECIFIED)				EC NO: 667392 DRWN: ABHISP1 CHK'D: GGA APPR: GGA							
4 PLACES ±		±		2021/04/28						HSG 4 CKT WITH SEC. LOCK AND EXTERNAL LATCH	
3 PLACES ±		±		2021/07/05						PRODUCT CUSTOMER DRAWING	
2 PLACES ± 0.1		±		2021/07/05						DOCUMENT NUMBER	
1 PLACE ± 0.2		±		INITIAL REVISION:						SD-94550-003	
0 PLACES ±		±		DRWN: FGOTTARD APPR: GZUIN						DOC TYPE DOC PART REVISION	
ANGULAR TOL ± 2.0°		± 2.0°		2002/06/27 2002/06/27						PSD 001 B	
DRAFT WHERE APPLICABLE MUST REMAIN WITHIN DIMENSIONS		THIRD ANGLE PROJECTION		DRAWING A3-SIZE		SERIES 94550		MATERIAL NUMBER SEE TABLE		CUSTOMER GENERAL MARKET	
										SHEET NUMBER 1 OF 1	