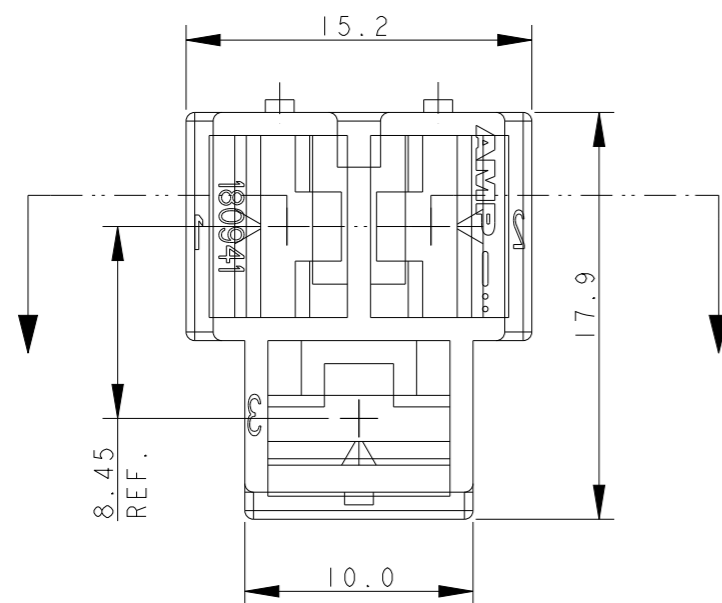
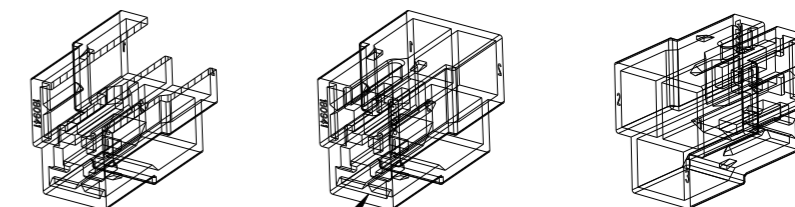
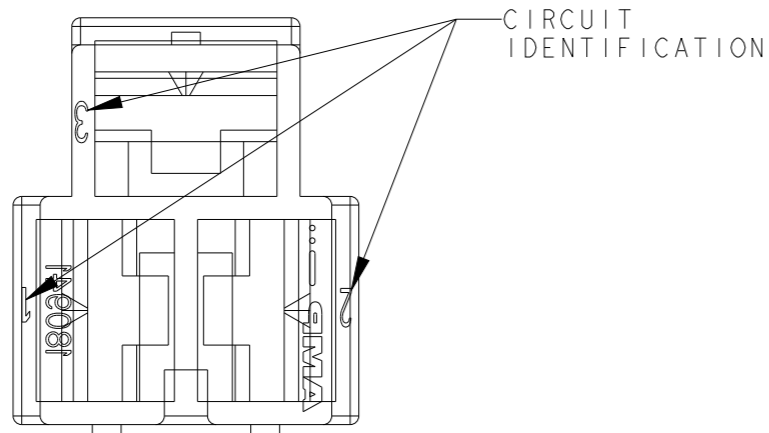
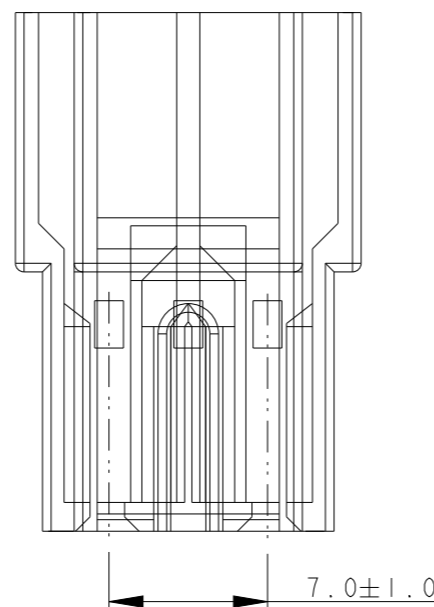
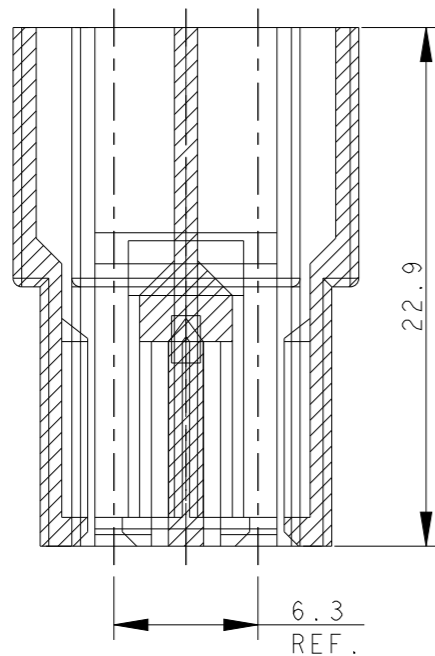


P	LTR	DESCRIPTION	DATE	DWN	APVD
P7		REVISED PER ECO-11005140	30MAR11	RK	HMR
P8		REVISED PER ECR-21-101990	19APR2021	SS	EW



SECTION A - A



SCALE 1:1

TIPICA CAVITA' PER TERMINALE TE AMP FASTIN-FASTON SR. 6.35 mm (TYPICAL CAVITY FOR TE AMP CONTACT FASTIN-FASTON .250" SRS.)

- 1 PA 6.6 UNFILLED, UL 94-V2.
- 2 PA 6 UNFILLED, GLOW WIRE TEST AT 750°C
- 3 NON ANCORA RILASCIATO IN PRODUZIONE (NOT YET RELEASED FOR PRODUCTION)
- 4 OBSOLETE PARTS: OBSOLETE CIS STREAMLINING PER D.RENAUD/D.SINISI
- 5 INTERNAL FLASH INSIDE CAVITY (THIN AND FLEXIBLE THAT DO NOT COME OFF) ACCEPTABLE UP TO 0.15 mm. EXTERNAL FLASH ACCEPTABLE UP TO 0.4 mm

NOTE	COLORE (COLOUR)	MATERIALE (MATERIAL)	P/N	REV
4	NATURALE (NATURAL)	2	2-180941-0	P
	NATURALE (NATURAL)		1-180941-0	O
	ARANCIONE (ORANGE)		0-180941-9	O
	VIOLA (VIOLET)		0-180941-8	O
4	MARRONE (BROWN)		0-180941-6	P
	NERO (BLACK)		0-180941-5	P
	GIALLO (YELLOW)	1	0-180941-4	O
	BLU (BLUE)		0-180941-3	O
	VERDE (GREEN)		0-180941-2	O
4	ROSSO (RED)		0-180941-1	P
	NATURALE (NATURAL)		0-180941-0	P

THIS DRAWING IS A CONTROLLED DOCUMENT.		DWN H. YAALI 24JUL2002	TE Connectivity	
DIMENSIONS: mm		CHK C. TARTARI		
TOLERANCES UNLESS OTHERWISE SPECIFIED:		APVD -	NAME FASTIN-FASTON CONN. 6.3 MM SR. REC HSG 3 WAY	
0 PLC ±-		PRODUCT SPEC 108-20020	-	
1 PLC ±0.3		APPLICATION SPEC -	RESTRICTED TO	
2 PLC ±-		WEIGHT 2.3 g	SIZE A3	CAGE CODE 00779
3 PLC ±-		CUSTOMER DRAWING	DRAWING NO C-180941	
4 PLC ±-			SCALE 3:1	SHEET 1 OF 1
ANGLES ±2°				REV P8
FINISH -				
MATERIAL SEE TABLE material_2				
finish_spec_2				