



### Main

Range of Product	Harmony XAC
Product or Component Type	Contact block
Component name	XENC
Electrical circuit type	Control circuit
Contact block application	Single speed
Contact block type	Single
Type of operator	Spring return
Product Compatibility	XACB XACM
Mechanical interlocking	Without mechanical interlock
Contacts type and composition	2 NO
Mounting of block	Front mounting
Contact operation	Slow-break

### Complementary

Connections - terminals	Screw clamp terminals, 1 x 2.5 mm <sup>2</sup> with or without cable end Screw clamp terminals, 2 x 1.5 mm <sup>2</sup> with or without cable end
Mechanical durability	1000000 cycles
Contact code designation	A300 AC-15, Ue = 240 V, Ie = 3 A IEC 60947-5-1 appendix A Q300 DC-13, Ue = 250 V, Ie = 0.27 A IEC 60947-5-1 appendix A
[Ithe] conventional enclosed thermal current	10 A
[Ui] rated insulation voltage	500 V 3)IEC 60947-1
[Uimp] rated impulse withstand voltage	6 kV IEC 60947-1
Maximum resistance across terminals	25 MOhm
Short-circuit protection	10 A fuse protection cartridge gG
Rated operational power in W	42 W DC-13 1000000 cycles 60 cyc/mn 120 V 0.5 inductive IEC 60947-5-1 appendix C 45 W DC-13 1000000 cycles 60 cyc/mn 48 V 0.5 inductive IEC 60947-5-1 appendix C 60 W DC-13 1000000 cycles 60 cyc/mn 24 V 0.5 inductive IEC 60947-5-1 appendix C
Rated operational power in VA	140 VA AC-15 1000000 cycles 60 cyc/mn 24 V 50/60 Hz 0.5 inductive 385 VA AC-15 1000000 cycles 60 cyc/mn 48 V 50/60 Hz 0.5 inductive 455 VA AC-15 1000000 cycles 60 cyc/mn 230 V 50/60 Hz 0.5 inductive 525 VA AC-15 1000000 cycles 60 cyc/mn 127 V 50/60 Hz 0.5 inductive
Terminals description ISO n°1	(23-24)NO (13-14)NO
Terminal identifier	(13-14)NO (11-12)NC
Net Weight	0.04 lb(US) (0.02 kg)

### Environment

Standards	CSA C22.2 No 14 EN 60947-5-1 IEC 60947-5-1
Ambient air temperature for operation	-13...158 °F (-25...70 °C)
Ambient Air Temperature for Storage	-40...158 °F (-40...70 °C)
Vibration resistance	15 gn 10...500 Hz)IEC 60068-2-6
Shock resistance	100 gn IEC 60068-2-27

## Ordering and shipping details

Category	22466 - PUSHBUTTON, ACCESSORIES
Discount Schedule	CS2
GTIN	3389110643046
Nbr. of units in pkg.	1
Package weight(Lbs)	1.06 oz (30 g)
Returnability	Yes
Country of origin	CZ

## Packing Units

Unit Type of Package 1	PCE
Package 1 Height	1.34 in (3.4 cm)
Package 1 width	3.82 in (9.7 cm)
Package 1 Length	2.01 in (5.1 cm)
Unit Type of Package 2	S01
Number of Units in Package 2	40
Package 2 Weight	2.99 lb(US) (1.355 kg)
Package 2 Height	5.91 in (15 cm)
Package 2 width	5.91 in (15 cm)
Package 2 Length	15.75 in (40 cm)

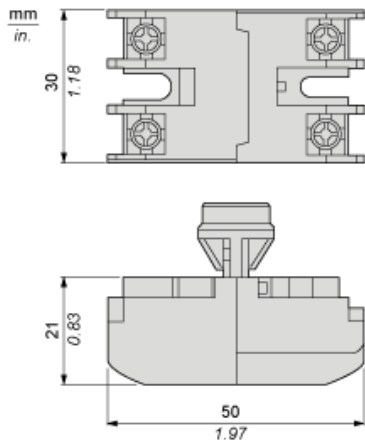
## Offer Sustainability

California proposition 65	WARNING: This product can expose you to chemicals including: Nickel compounds, which is known to the State of California to cause cancer, and Di-isodecyl phthalate (DIDP), which is known to the State of California to cause birth defects or other reproductive harm. For more information go to <a href="http://www.P65Warnings.ca.gov">www.P65Warnings.ca.gov</a>
REACH Regulation	<a href="#">REACH Declaration</a>
REACH free of SVHC	Yes
EU RoHS Directive	Pro-active compliance (Product out of EU RoHS legal scope) <a href="#">EU RoHS Declaration</a>
Toxic heavy metal free	Yes
Mercury free	Yes
RoHS exemption information	<a href="#">Yes</a>
China RoHS Regulation	<a href="#">China RoHS Declaration</a>
WEEE	The product must be disposed on European Union markets following specific waste collection and never end up in rubbish bins.

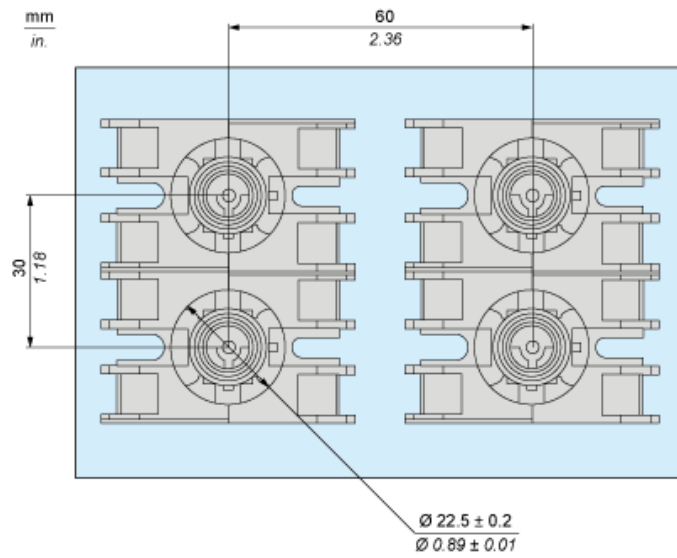
## Contractual warranty

Warranty	18 months
----------	-----------

Dimensions



## Mounting



---

Rated Operational Power

---

AC Supply 50/60 Hz

Operating rate: 3600 operating cycles/hour. Load factor: 0.5.

Power broken in VA for 1 million operating cycles, AC-15 utilization category

Voltage	V	24	48	127	230
Inductive circuit	W	140	385	525	455

DC Supply

Operating rate: 3600 operating cycles/hour. Load factor: 0.5.

Power broken in W for 1 million operating cycles, DC-13 utilization category

Voltage	V	24	48	120
Inductive circuit	W	60	45	42