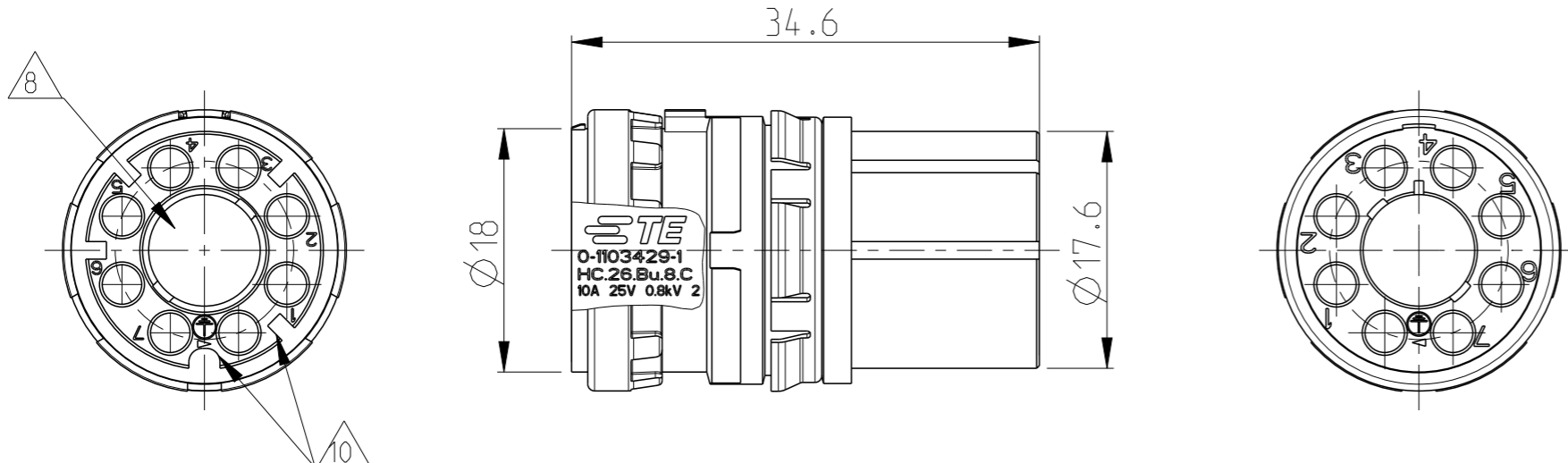
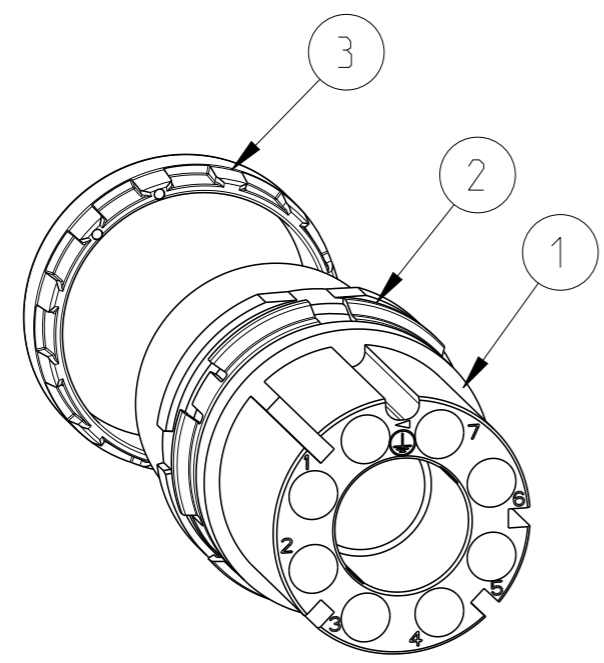


LOC	DIST	REVISIONS			
P	LTR	DESCRIPTION	DATE	DWN	APVD
	C2	ECR-11-021475	18NOV2011	GW	BR
	C3	ECR-15-014241	27OCT2015	RK	JB
	C4	LASER PRINT. MOVED TO ITEM NO. 1 (PCN E-16-012156)	26AUG2016	ER	DO
	C5	LASER PRINT PARTIAL ADDED FROM ITEM NO.1 (PCN E-17-007296)	06JUN2017	ER	DO



Notes

- 1 SUITABLE HOUSINGS: SERIES HC26
CUSTOMER DRAWING: 1103433, 1103434
- 2 OUTER DIMENSIONS OF INSULATION: MAX. Ø3.2 MM
- 3 SUITABLE CRIMP CONTACTS:
CUSTOMER DRAWING: 166824
- 4 SUITABLE SUB-MIN. COAXICON CONTACTS:
CUSTOMER DRAWING: 51565
- 5 SUITABLE LWL (OPTICS) CONTACTS:
CUSTOMER DRAWING: 216342 AND 1102921
- 6 SUITABLE INSERTION TOOL:
CUSTOMER DRAWING: 1102855
- 7 SUITABLE EXTRACTION TOOL:
CUSTOMER DRAWING: 1102855
- 8 SUITABLE SIGNAL INSERT:
CUSTOMER DRAWING: 1103427
- 9 STANDARDS:
DIN EN 61984, DIN EN 60664-1
- 10 POLARIZATION RIPS
- 11 PACKAGING:
40 SETS IN A CARTON



PN 0-1 AS SHOWN

QTY	DESCRIPTION	MATERIAL	SURFACE/COLOR	NOTE	ITEM
1	ADAPTOR RING	PA66-GF25	GREY	SERIES HC26, INSERT	3
1	RETAINING RING	PA66-GF25	GREY	SERIES HC26, INSERT	2
1	FEMALE INSERT	PBT-GF10	GREY	SERIES HC26, 8-POS. TYPE III+	1

PARTS LIST

THIS DRAWING IS A CONTROLLED DOCUMENT.		DWN H.BRAUN 08NOV2007	TE Connectivity		
DIMENSIONS: mm		CHK T.VETTER 28OCT2008			
TOLERANCES UNLESS OTHERWISE SPECIFIED:		APVD T.SCHNURPFEL 28OCT2008	NAME FEMALE INSERT ASS'Y SERIES HC26, 8-POS., TYPE III+ CIRCULAR HYBRID CONNECTOR		
		PRODUCT SPEC 108-74097	SIZE A3	CAGE CODE 00779	DRAWING NO C=1103429
MATERIAL -		FINISH -	APPLICATION SPEC 114-74103	RESTRICTED TO -	
		WEIGHT -	SCALE 2:1	SHEET 1 OF 1	REV C5
Customer Drawing					