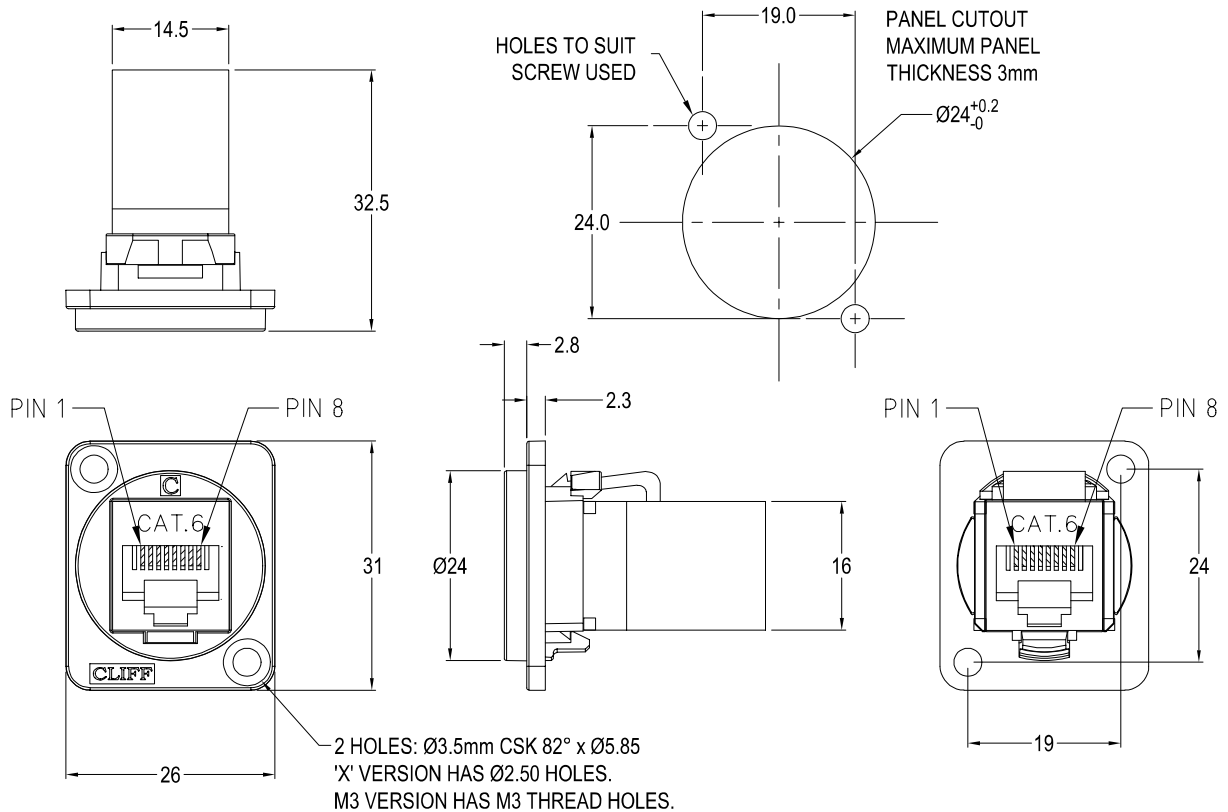


# CLIFF

## CAT.6 RJ45 FEEDTHROUGH CONNECTOR



### Feedthrough Features

- Fits standard XLR  $\text{Ø}24\text{mm}$  cutout.
- No soldering or punch termination. Use standard cable for each connector style.
- Front or rear mounted.
- Low rear profile

### General:

Please note: Functionality is affected by cable quality, length and cable wiring configuration.

Other models available:

### Part No.

<b>CP30222</b>	Cat.6 RJ45 Black plastic frame, CSK holes
<b>CP30222W</b>	Cat.6 RJ45 White plastic frame, CSK holes
<b>CP30222M</b>	Cat.6 RJ45 Nickel plated metal frame, CSK holes
<b>CP30222M3</b>	Cat.6 RJ45 Nickel plated metal frame, M3 holes
<b>CP30222MB</b>	Cat.6 RJ45 Black metal frame, CSK holes
<b>CP30222M3B</b>	Cat.6 RJ45 Black metal frame, M3 holes
<b>CP30222X</b>	Cat.6 RJ45 Black plastic frame, PLAIN holes
<b>CP30222XW</b>	Cat.6 RJ45 White plastic frame, PLAIN holes

### Material:

1. RJ45 In-Line Coupler: ABS UL94-V0
2. RJ45 In-Line Coupler Contact:  
Phosphor Bronze, 3-50 micro inches  
gold plating over nickel plate.
3. PCB: FR4
4. Plastic Frame: Polyamide UL94 V-2
5. Metal Frame: Diecast, Black or Nickel plated

### Performance:

1. T568A & T568B wiring.
2. Meet ISO/IEC 11801 and EN50173
3. Meet ANSI/TIA/EIA 568B.2
4. Rating: 125VAC RMS 1.5A
5. Operating Temperatures: Min  $-10^\circ\text{C}$  Max  $+60^\circ\text{C}$