

**Ratings**

Voltage: 30 Vdc  
Current: 300 mA

**Operating Temperature Range**

-25° to 85°C, relative humidity of 85% or less

**Materials**

1. Insulator: nylon, black
2. Insulator: nylon, black
3. Shell: brass, nickel-plated
4. Spring contact: phosphor bronze, nickel-plated
5. Spring contact: phosphor bronze, nickel-plated
6. Spring contact: phosphor bronze
7. Solder tab: brass, nickel-plated
8. Nut: brass, nickel-plated, P/N 56-00004, M9x 0.75
9. Split washer: cold rolled steel, nickel-plated, P/N 56-00005

**Electrical Requirements**

Dielectric strength: 1 min @ 500 Vac  
Insulation resistance: 100 MΩ @ 500 Vdc  
Contact resistance: 50 mΩ or less

**Mechanical Requirements**

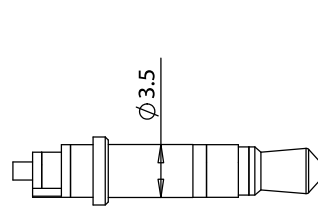
Insertion force: 0.3-2 kgf  
Withdrawal force: 0.3-2 kgf  
Terminal strength: a static load of 300 gf shall be applied to the terminal for 15 seconds in any direction.  
Life cycle: 5000 mating cycles while maintaining less than 100 mΩ contact resistance, 50MΩ insulation resistance, and 500 Vac for 1 minute withstand voltage.

**Soldering**

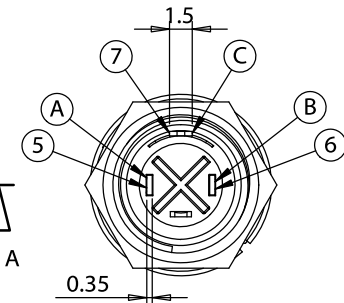
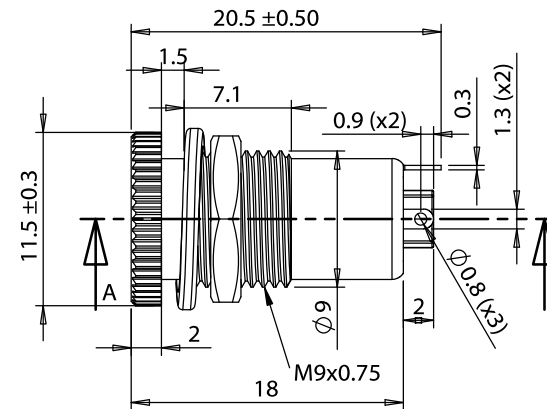
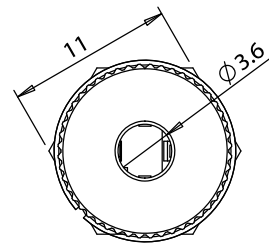
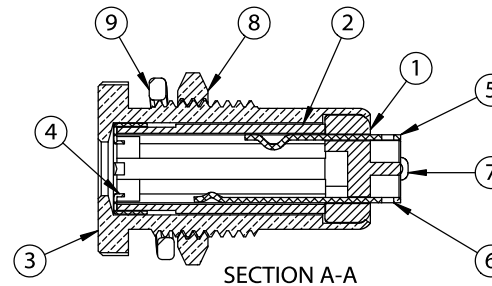
Solderability: 75% minimum coverage when terminals dipped 2mm in 235 ±5 °C solder bath for 3 ±0.5 seconds  
Solder bath durability: no deformation when immersed in 255 ±5 °C up to surface of the board 1.6 mm for 5 seconds or less  
Solder iron durability: no deformation when exposed to 350 ±10 °C for 3 ±0.5 seconds

**Environmental Requirements**

Cold test: -25 ±3 °C for 48 hours without deformation  
Heat test: 85 ±2 °C, relative humidity 45-85% for 48 hours without deformation  
Humidity test: 40 ±2 °C, relative humidity 90-98% for 48 hours without deformation



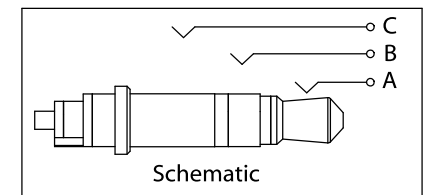
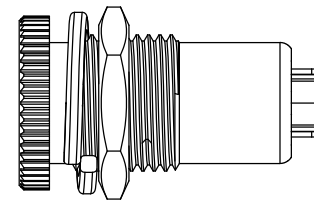
Mating Plug



**Installation Details**

Panel thickness: 1.0 - 4.8 mm

Panel cutout Ø: 9.2 - 10.5 mm



Revision:	Date:	Description:
A	8/8/2017	Initial release

Prepared:	AG <small>Digitally signed by AG Date: 2017.08.08 12:00:35 -07'00'</small>
Verified:	LA <small>Digitally signed by LA Date: 2017.08.08 14:05:34 -07'00'</small>
Dimensions are in millimeters. Tolerances: X: ± 0.5 mm X.X: ± 0.3 mm X.XX: ± 0.05 mm	

Notes:	RoHS compliant
Function test:	no open, no short circuit, no intermittent
Description:	Connector, stereo jack, 3.5x20.5 mm, panel mount, nickel plated, threaded, nut and washer

**TENSILITY**

tel 1.541.323.3228 800 877.670.7118  
fax 1.541.323.4202 web tensility.com

Size:	Part number:
A	54-00081
Scale: 2:1	Sheet 1 of 1