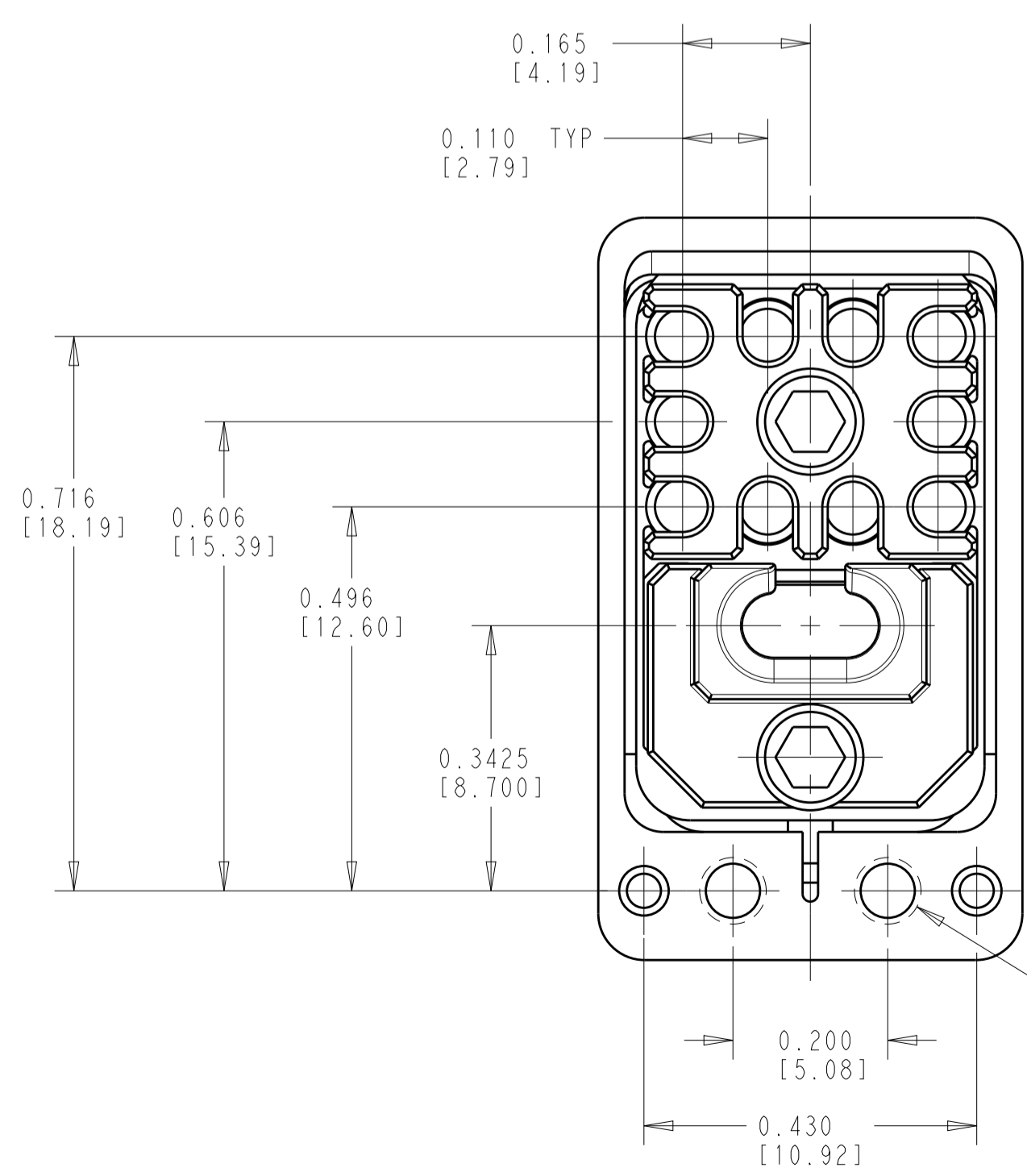
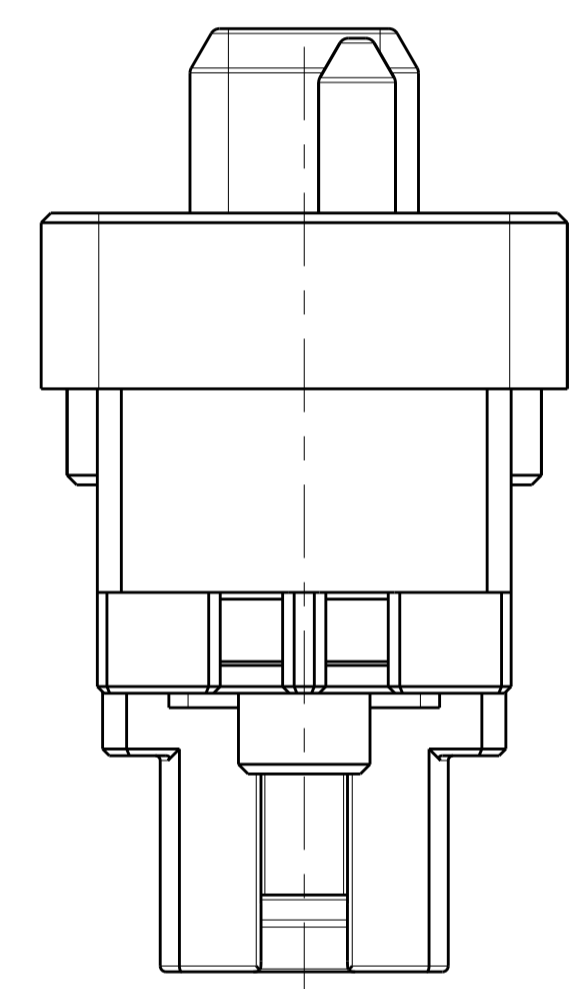
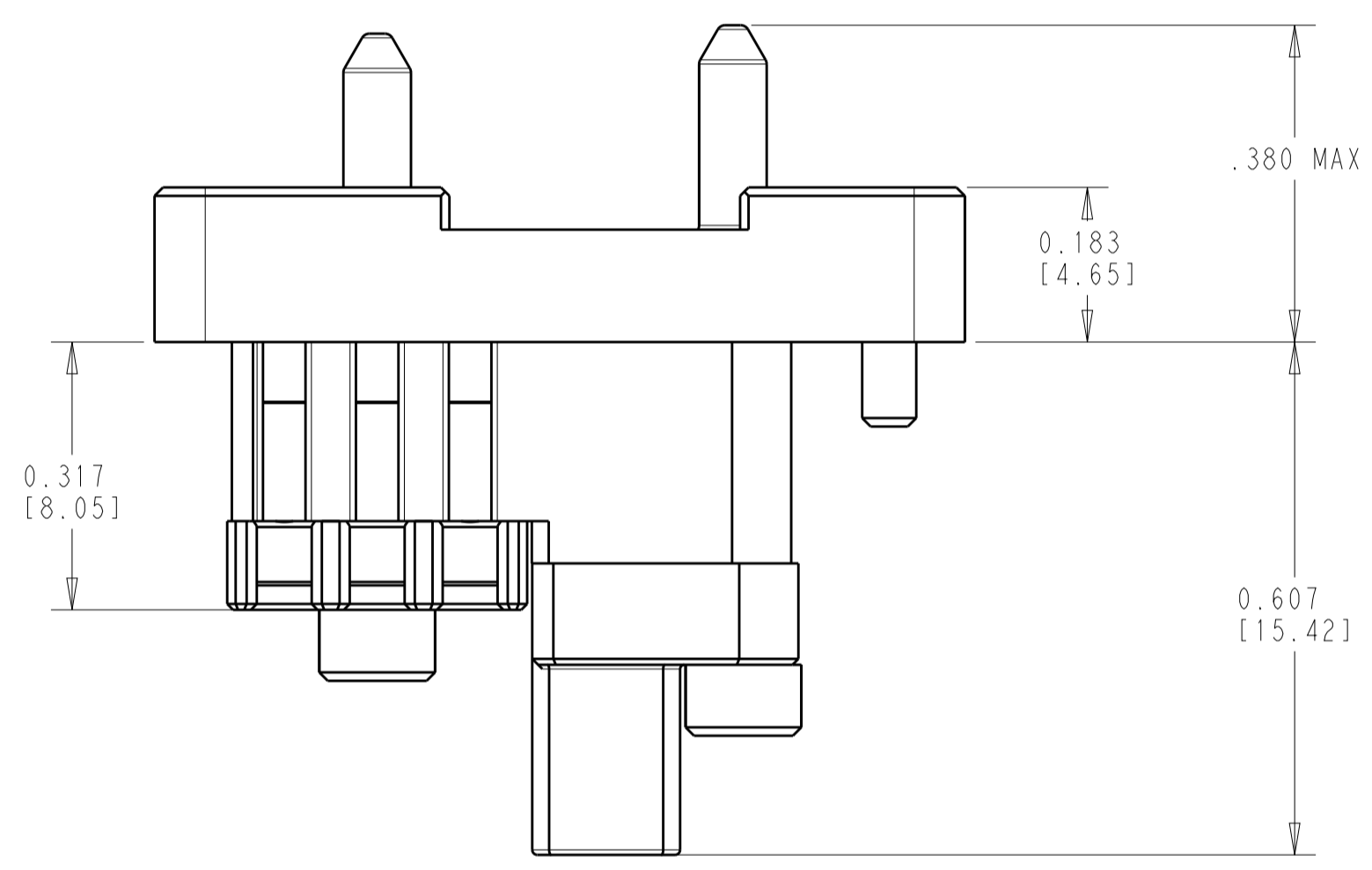
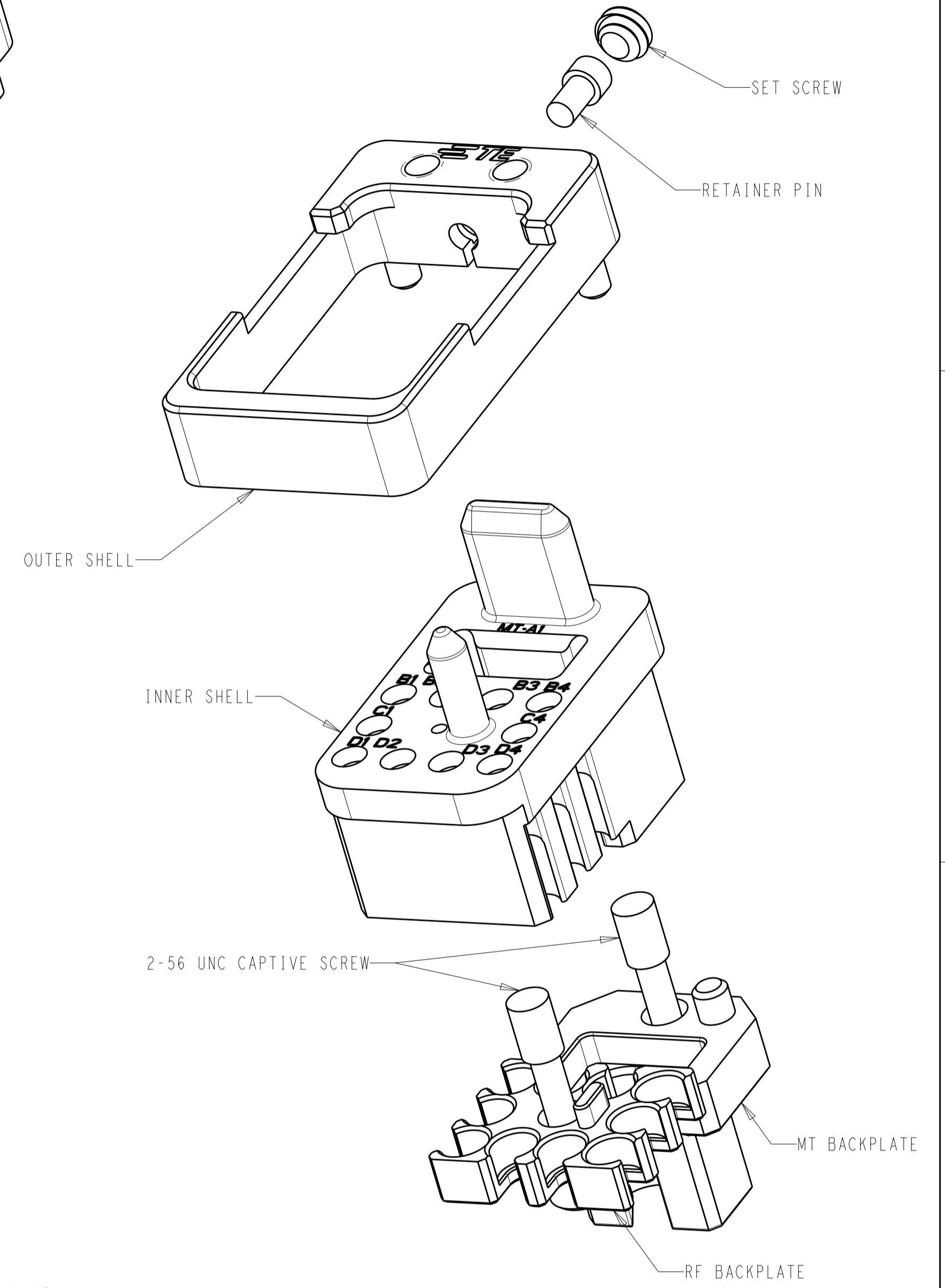
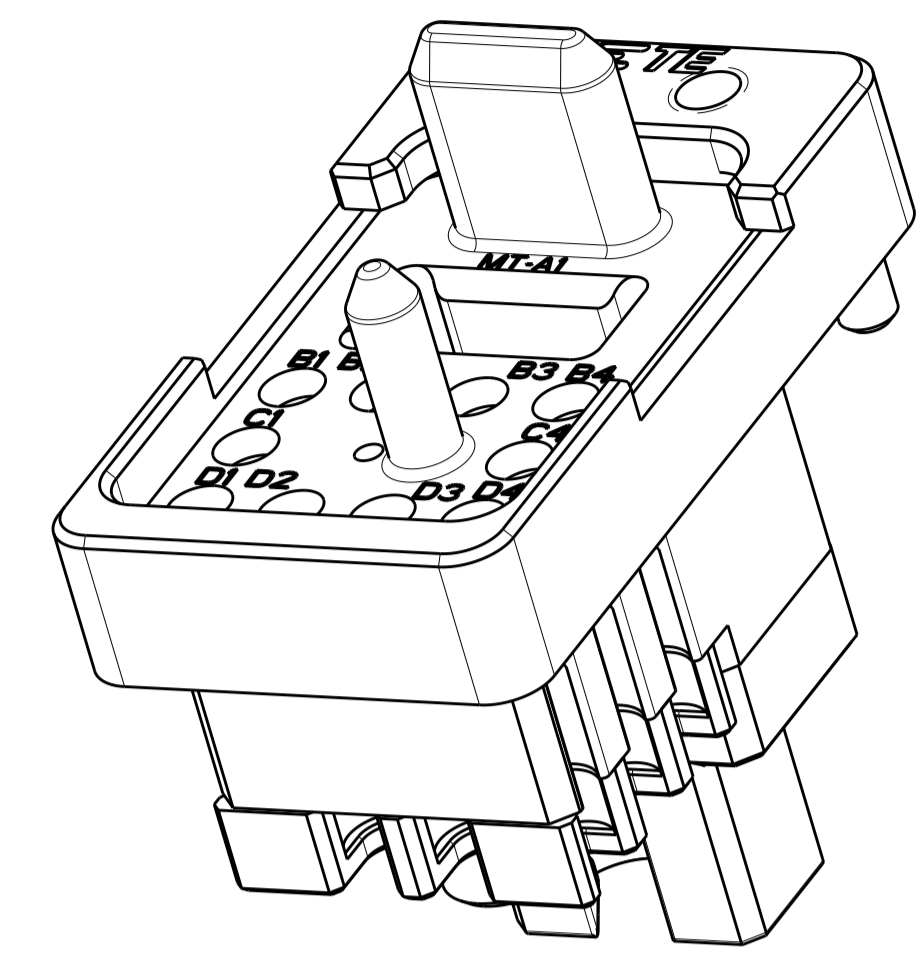
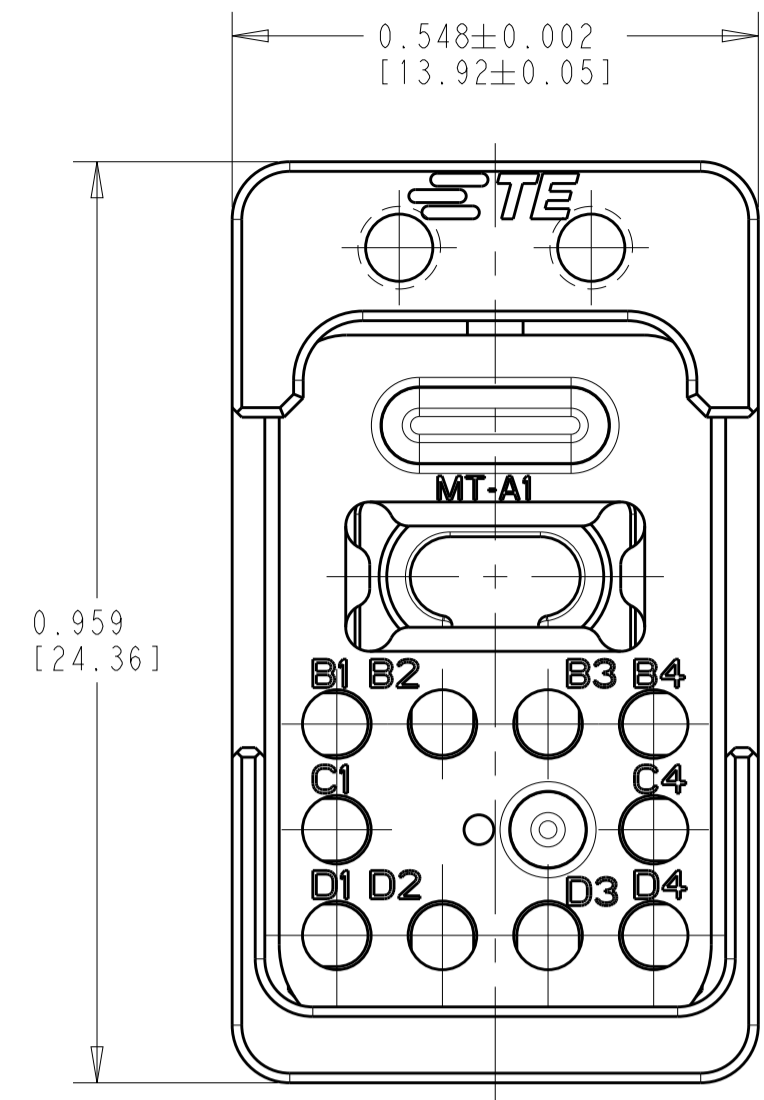


REVISIONS				
P	LTN	DESCRIPTION	DATE	APVD
A		RELEASED PER ECO-20-017928	15DEC2020	KM CG

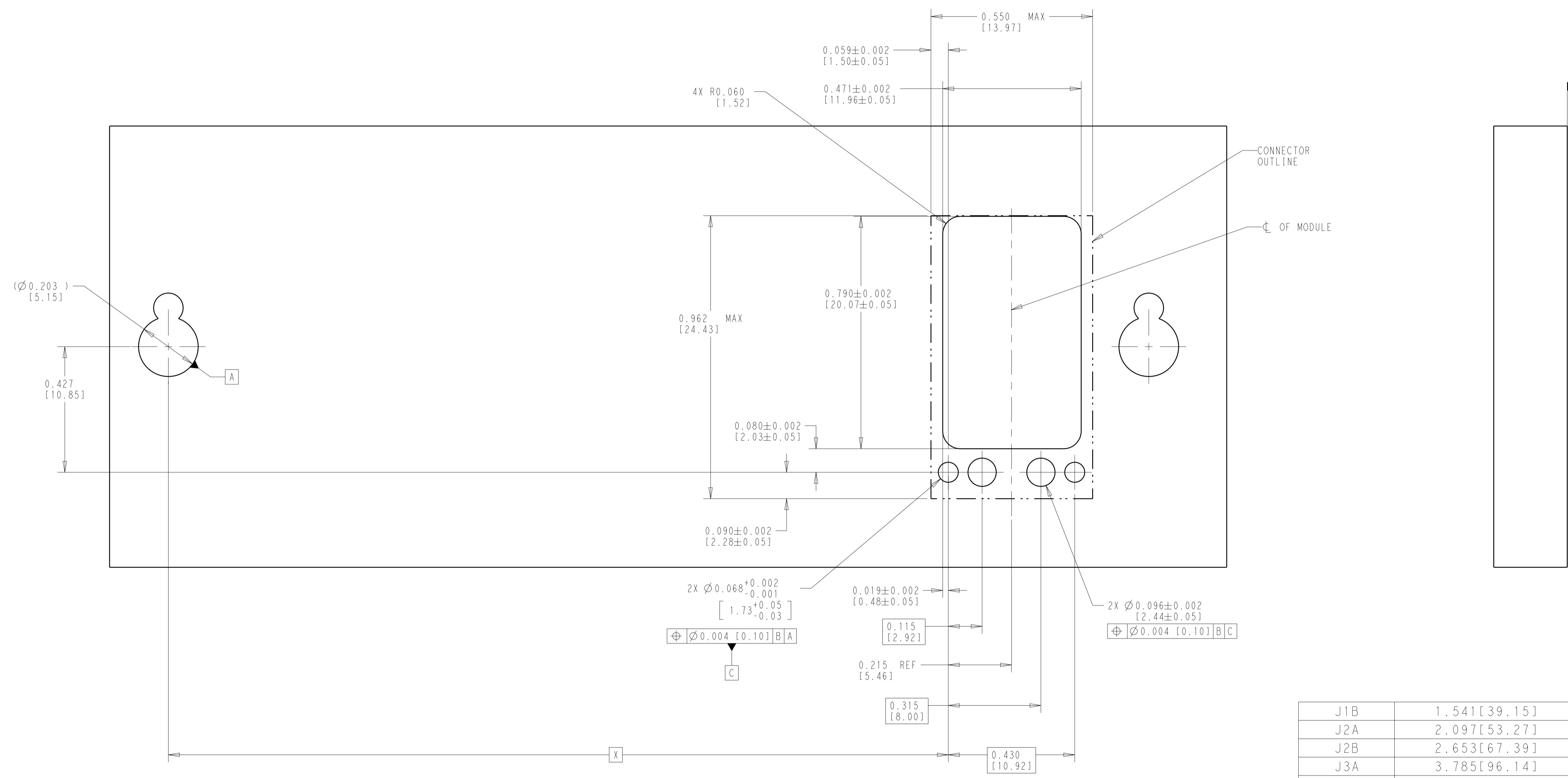


- 1 MATERIAL:
OUTER SHELL, INNER SHELL AND BACKPLATES - ALUMINUM ALLOY
SCREWS - 300 SERIES STAINLESS STEEL
- 2 FINISH:
OUTER SHELL, INNER SHELL AND BACKPLATES - CLEAR CHROMATE CONVERSION COATING
SCREWS - PASSIVATED
- 3. SHIPPED IN KIT FORM. BACKPLATE SCREWS TO BE ASSEMBLED TO BACKPLATE.
INNER AND OUTER SHELLS TO BE ASSEMBLED TOGETHER WITH RETAINER PIN AND SET SCREW.
- 4 CIRCUIT IDENTIFICATION MARKING
- 5. DESIGNED TO BE USED WITH NanoRF CONTACTS 2302345-1 AND
MT FERRULE KIT 2332756-1 (12 FIBER) OR 2332756-2 (24 FIBER)
ORDERED SEPARATELY.
- 6 PRODUCT SPEC:
NanoRF: 108-163006
MT FIBER OPTIC: 108-163029
- 7 APPLICATION SPEC:
NanoRF: 408-163016
MT FIBER OPTIC: 114-163023

2313391-1
PART NUMBER

THIS DRAWING IS A CONTROLLED DOCUMENT.		DWN R. MILLER CHK C. GINGRICH	08JUL2019 21AUG2019	TE Connectivity	
DIMENSIONS: INCHES	TOLERANCES UNLESS OTHERWISE SPECIFIED:	PRODUCT SPEC	NAME	NanoRF MODULE, BACKPLANE	
	0 PLC ± 1 PLC ± 2 PLC ± 3 PLC ±.005(0.13) 4 PLC ± ANGLES ±	APPLICATION SPEC WEIGHT CUSTOMER DRAWING	F/O PLUS 10 POSITION .047 CABLE VITA	SIZE	RESTRICTED TO
MATERIAL	FINISH	APVD	6 7	CAGE CODE 00779	DRAWING NO 2313391
		SCALE	5:1	SHEET	1 OF 2

REVISIONS				
P.	LTN	DESCRIPTION	DATE	APVD
-	-	SEE SHEET 1	-	-



REF PCB LAYOUT - SEE VITA 67.3 FIGURE 6.1.5.2-1

J1B	1.541 [39.15]
J2A	2.097 [53.27]
J2B	2.653 [67.39]
J3A	3.785 [96.14]
J3B	4.341 [110.26]
J4A	4.919 [124.94]
J4B	5.475 [139.06]
J5A	6.053 [153.74]
J5B	6.609 [167.86]
J6A	7.187 [182.54]
J6B	7.743 [196.66]
POSITION	DIM "X"

THIS DRAWING IS A CONTROLLED DOCUMENT.		DWN M. MILLER CHK C. GINGRICH	08JUL2019 21AUG2019	 TE Connectivity
DIMENSIONS: INCHES		TOLERANCES UNLESS OTHERWISE SPECIFIED: 0 PLC ± 1 PLC ± 2 PLC ± 3 PLC ±.005[0.13] 4 PLC ± ANGLES ±		
		PRODUCT SPEC APPLICATION SPEC		SIZE CAGE CODE DRAWING NO A 00779 C=2313391
MATERIAL		WEIGHT		RESTRICTED TO CUSTOMER DRAWING
		SCALE 5:1		SHEET 2 OF 2 REV A