

- 1
- 2
- 3
- 4
- 5
- 6
- 7
- 8
- 9
- 10
- 11
- 12
- 13
- 14
- 15
- 16
- 17
- 18

**STANDARD EXECUTIONS**

**- LM-TR:**

zinc-plated steel base and ball joint with threaded blind hole.  
zinc-plated steel base and ball joint with threaded stem and nut.

**- LM-SST-TR:**

AISI 303 stainless steel base and ball joint with threaded blind hole.  
AISI 303 stainless steel base and ball joint with threaded stem.  
AISI 304 stainless steel nut.

**NO-SLIP COATING**

Thermoplastic elastomer (TPE).

**FEATURES**

The resistance of the levelling element to a static load is obviously limited by the load capacity of the stem.

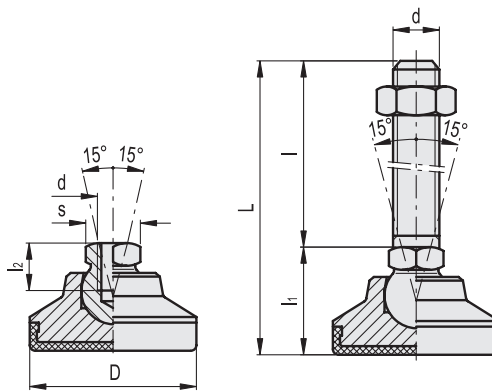
The static load values in the table below refer to the resistance to a load applied on the axis of the levelling foot.

Under common working conditions, side or angular loading increases the stress on the stem and reduces its load capacity.

To increase the applicable load you can use the ball joint with threaded hole by inserting a steel threaded bar of higher resistance class. We recommend to insert a pressure pad between the end of the bar and the bottom of the threaded hole to reduce loading on the threading.



| Conversion Table  |      |
|-------------------|------|
| 1 mm = 0.039 inch |      |
| D                 |      |
| mm                | inch |
| 25                | 0.98 |
| 32                | 1.26 |
| 40                | 1.57 |
| 50                | 1.97 |
| 60                | 2.36 |



**LM.TR (d)**

**METRIC**

**LM-SST-TR (d)**

**INOX STAINLESS STEEL**

**METRIC**

| Code   | Description  | D  | d   | l1   | l2   | s  | Max. limit static load [N] | ⚖️  | Code   | Description      | Max. limit static load [N] | ⚖️  |
|--------|--------------|----|-----|------|------|----|----------------------------|-----|--------|------------------|----------------------------|-----|
| 401220 | LM.25 M6-TR  | 25 | M6  | 20.5 | 9    | 12 | 7500                       | 40  | 402220 | LM.25-SST M6-TR  | 4000                       | 40  |
| 401221 | LM.25 M8-TR  | 25 | M8  | 20.5 | 9    | 12 | 14000                      | 35  | 402221 | LM.25-SST M8-TR  | 7000                       | 36  |
| 401230 | LM.32 M8-TR  | 32 | M8  | 24.5 | 9    | 12 | 14000                      | 85  | 402230 | LM.32-SST M8-TR  | 7000                       | 85  |
| 401231 | LM.32 M10-TR | 32 | M10 | 24.5 | 10.5 | 15 | 23000                      | 75  | 402231 | LM.32-SST M10-TR | 11000                      | 77  |
| 401240 | LM.40 M10-TR | 40 | M10 | 27.5 | 10.5 | 15 | 23000                      | 120 | 402240 | LM.40-SST M10-TR | 11000                      | 120 |
| 401241 | LM.40 M12-TR | 40 | M12 | 27.5 | 11.5 | 17 | 33000                      | 110 | 402241 | LM.40-SST M12-TR | 16000                      | 113 |
| 401250 | LM.50 M10-TR | 50 | M10 | 29.5 | 10.5 | 15 | 23000                      | 170 | 402250 | LM.50-SST M10-TR | 11000                      | 185 |
| 401251 | LM.50 M12-TR | 50 | M12 | 29.5 | 11.5 | 17 | 33000                      | 160 | 402251 | LM.50-SST M12-TR | 16000                      | 165 |
| 401260 | LM.60 M12-TR | 60 | M12 | 37.5 | 11.5 | 17 | 33000                      | 335 | 402260 | LM.60-SST M12-TR | 16000                      | 335 |
| 401261 | LM.60 M16-TR | 60 | M16 | 37.5 | 16   | 24 | 62000                      | 320 | 402261 | LM.60-SST M16-TR | 30000                      | 330 |

Levelling feet and supports

LM.TR (d - l)

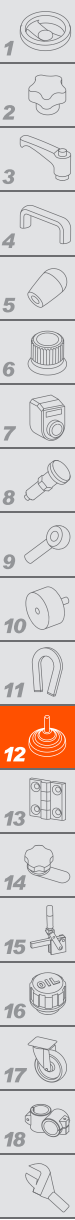
METRIC

LM-SST-TR (d - l)

INOX STAINLESS STEEL

METRIC

| Code   | Description      | D  | d   | L     | l   | l1   | s  | Max. limit static load [N] | ⚖️  | Code   | Description          | Max. limit static load [N] | ⚖️  |
|--------|------------------|----|-----|-------|-----|------|----|----------------------------|-----|--------|----------------------|----------------------------|-----|
| 401713 | LM.25 M6x40-TR   | 25 | M6  | 60.5  | 40  | 20.5 | 12 | 7500                       | 39  | 402711 | LM.25-SST M6x40-TR   | 4000                       | 39  |
| 401714 | LM.25 M6x50-TR   | 25 | M6  | 70.5  | 50  | 20.5 | 12 | 7500                       | 41  | 402712 | LM.25-SST M6x50-TR   | 4000                       | 41  |
| 401715 | LM.25 M6x63-TR   | 25 | M6  | 83.5  | 63  | 20.5 | 12 | 7500                       | 45  | 402713 | LM.25-SST M6x63-TR   | 4000                       | 45  |
| 401723 | LM.25 M8x40-TR   | 25 | M8  | 60.5  | 40  | 20.5 | 12 | 14000                      | 66  | 402723 | LM.25-SST M8x40-TR   | 7000                       | 68  |
| 401724 | LM.25 M8x50-TR   | 25 | M8  | 70.5  | 50  | 20.5 | 12 | 14000                      | 50  | 402724 | LM.25-SST M8x50-TR   | 7000                       | 50  |
| 401726 | LM.25 M8x63-TR   | 25 | M8  | 83.5  | 63  | 20.5 | 12 | 14000                      | 70  | 402726 | LM.25-SST M8x63-TR   | 7000                       | 72  |
| 401716 | LM.25 M10x50-TR  | 25 | M10 | 70.5  | 50  | 20.5 | 12 | 23000                      | 54  | 402716 | LM.25-SST M10x50-TR  | 11000                      | 54  |
| 401717 | LM.25 M10x63-TR  | 25 | M10 | 83.5  | 63  | 20.5 | 12 | 23000                      | 64  | 402717 | LM.25-SST M10x63-TR  | 11000                      | 64  |
| 401718 | LM.25 M10x80-TR  | 25 | M10 | 100.5 | 80  | 20.5 | 12 | 23000                      | 76  | 402718 | LM.25-SST M10x80-TR  | 11000                      | 76  |
| 401730 | LM.32 M8x40-TR   | 32 | M8  | 64.5  | 40  | 24.5 | 12 | 14000                      | 52  | 402730 | LM.32-SST M8x40-TR   | 7000                       | 52  |
| 401731 | LM.32 M8x50-TR   | 32 | M8  | 74.5  | 50  | 24.5 | 12 | 14000                      | 57  | 402731 | LM.32-SST M8x50-TR   | 7000                       | 57  |
| 401732 | LM.32 M8x63-TR   | 32 | M8  | 87.5  | 63  | 24.5 | 12 | 14000                      | 67  | 402732 | LM.32-SST M8x63-TR   | 7000                       | 67  |
| 401733 | LM.32 M10x50-TR  | 32 | M10 | 74.5  | 50  | 24.5 | 15 | 23000                      | 106 | 402733 | LM.32-SST M10x50-TR  | 11000                      | 109 |
| 401734 | LM.32 M10x63-TR  | 32 | M10 | 87.5  | 63  | 24.5 | 15 | 23000                      | 112 | 402734 | LM.32-SST M10x63-TR  | 11000                      | 112 |
| 401736 | LM.32 M10x80-TR  | 32 | M10 | 104.5 | 80  | 24.5 | 15 | 23000                      | 120 | 402736 | LM.32-SST M10x80-TR  | 11000                      | 124 |
| 401727 | LM.32 M12x63-TR  | 32 | M12 | 87.5  | 63  | 24.5 | 15 | 33000                      | 166 | 402727 | LM.32-SST M12x63-TR  | 16000                      | 166 |
| 401728 | LM.32 M12x80-TR  | 32 | M12 | 104.5 | 80  | 24.5 | 15 | 33000                      | 183 | 402728 | LM.32-SST M12x80-TR  | 16000                      | 183 |
| 401729 | LM.32 M12x100-TR | 32 | M12 | 124.5 | 100 | 24.5 | 15 | 33000                      | 201 | 402729 | LM.32-SST M12x100-TR | 16000                      | 201 |
| 401737 | LM.40 M8x50-TR   | 40 | M8  | 77.5  | 50  | 27.5 | 15 | 14000                      | 142 | 402737 | LM.40-SST M8x50-TR   | 7000                       | 142 |
| 401738 | LM.40 M8x63-TR   | 40 | M8  | 90.5  | 63  | 27.5 | 15 | 14000                      | 150 | 402738 | LM.40-SST M8x63-TR   | 7000                       | 150 |
| 401739 | LM.40 M8x80-TR   | 40 | M8  | 107.5 | 80  | 27.5 | 15 | 14000                      | 158 | 402739 | LM.40-SST M8x80-TR   | 7000                       | 158 |
| 401740 | LM.40 M10x50-TR  | 40 | M10 | 77.5  | 50  | 27.5 | 15 | 23000                      | 157 | 402740 | LM.40-SST M10x50-TR  | 11000                      | 157 |
| 401741 | LM.40 M10x63-TR  | 40 | M10 | 90.5  | 63  | 27.5 | 15 | 23000                      | 165 | 402741 | LM.40-SST M10x63-TR  | 11000                      | 165 |
| 401742 | LM.40 M10x80-TR  | 40 | M10 | 107.5 | 80  | 27.5 | 15 | 23000                      | 172 | 402742 | LM.40-SST M10x80-TR  | 11000                      | 172 |
| 401743 | LM.40 M12x63-TR  | 40 | M12 | 90.5  | 63  | 27.5 | 17 | 33000                      | 178 | 402743 | LM.40-SST M12x63-TR  | 16000                      | 183 |
| 401744 | LM.40 M12x80-TR  | 40 | M12 | 107.5 | 80  | 27.5 | 17 | 33000                      | 190 | 402744 | LM.40-SST M12x80-TR  | 16000                      | 190 |
| 401746 | LM.40 M12x100-TR | 40 | M12 | 127.5 | 100 | 27.5 | 17 | 33000                      | 205 | 402746 | LM.40-SST M12x100-TR | 16000                      | 211 |
| 401747 | LM.50 M8x50-TR   | 50 | M8  | 79.5  | 50  | 29.5 | 15 | 14000                      | 172 | 402747 | LM.50-SST M8x50-TR   | 7000                       | 172 |
| 401748 | LM.50 M8x63-TR   | 50 | M8  | 92.5  | 63  | 29.5 | 15 | 14000                      | 180 | 402748 | LM.50-SST M8x63-TR   | 7000                       | 180 |
| 401749 | LM.50 M8x80-TR   | 50 | M8  | 109.5 | 80  | 29.5 | 15 | 14000                      | 187 | 402749 | LM.50-SST M8x80-TR   | 7000                       | 187 |
| 401750 | LM.50 M10x50-TR  | 50 | M10 | 79.5  | 50  | 29.5 | 15 | 23000                      | 207 | 402750 | LM.50-SST M10x50-TR  | 11000                      | 207 |
| 401751 | LM.50 M10x63-TR  | 50 | M10 | 92.5  | 63  | 29.5 | 15 | 23000                      | 215 | 402751 | LM.50-SST M10x63-TR  | 11000                      | 215 |
| 401752 | LM.50 M10x80-TR  | 50 | M10 | 109.5 | 80  | 29.5 | 15 | 23000                      | 222 | 402752 | LM.50-SST M10x80-TR  | 11000                      | 222 |
| 401753 | LM.50 M12x63-TR  | 50 | M12 | 92.5  | 63  | 29.5 | 17 | 33000                      | 260 | 402753 | LM.50-SST M12x63-TR  | 16000                      | 268 |
| 401754 | LM.50 M12x80-TR  | 50 | M12 | 109.5 | 80  | 29.5 | 17 | 33000                      | 255 | 402754 | LM.50-SST M12x80-TR  | 16000                      | 255 |
| 401756 | LM.50 M12x100-TR | 50 | M12 | 129.5 | 100 | 29.5 | 17 | 33000                      | 285 | 402756 | LM.50-SST M12x100-TR | 16000                      | 295 |
| 401758 | LM.50 M16x63-TR  | 50 | M16 | 92.5  | 63  | 29.5 | 17 | 40000                      | 286 | 402757 | LM.50-SST M16x63-TR  | 30000                      | 286 |
| 401759 | LM.50 M16x80-TR  | 50 | M16 | 109.5 | 80  | 29.5 | 17 | 40000                      | 298 | 402758 | LM.50-SST M16x80-TR  | 30000                      | 298 |
| 401757 | LM.50 M16x100-TR | 50 | M16 | 129.5 | 100 | 29.5 | 17 | 40000                      | 311 | 402759 | LM.50-SST M16x100-TR | 30000                      | 311 |
| 401787 | LM.60 M10x50-TR  | 60 | M10 | 87.5  | 50  | 37.5 | 17 | 23000                      | 367 | 402767 | LM.60-SST M10x50-TR  | 11000                      | 367 |
| 401788 | LM.60 M10x63-TR  | 60 | M10 | 100.5 | 63  | 37.5 | 17 | 23000                      | 386 | 402768 | LM.60-SST M10x63-TR  | 11000                      | 386 |
| 401789 | LM.60 M10x80-TR  | 60 | M10 | 117.5 | 80  | 37.5 | 17 | 23000                      | 405 | 402769 | LM.60-SST M10x80-TR  | 11000                      | 405 |
| 401760 | LM.60 M12x63-TR  | 60 | M12 | 100.5 | 63  | 37.5 | 17 | 33000                      | 415 | 402760 | LM.60-SST M12x63-TR  | 16000                      | 440 |
| 401761 | LM.60 M12x80-TR  | 60 | M12 | 117.5 | 80  | 37.5 | 17 | 33000                      | 450 | 402761 | LM.60-SST M12x80-TR  | 16000                      | 465 |
| 401762 | LM.60 M12x100-TR | 60 | M12 | 137.5 | 100 | 37.5 | 17 | 33000                      | 474 | 402762 | LM.60-SST M12x100-TR | 16000                      | 500 |
| 401763 | LM.60 M16x80-TR  | 60 | M16 | 117.5 | 80  | 37.5 | 24 | 62000                      | 505 | 402763 | LM.60-SST M16x80-TR  | 30000                      | 490 |
| 401765 | LM.60 M16x100-TR | 60 | M16 | 137.5 | 100 | 37.5 | 24 | 62000                      | 515 | 402765 | LM.60-SST M16x100-TR | 30000                      | 515 |
| 401766 | LM.60 M16x125-TR | 60 | M16 | 162.5 | 125 | 37.5 | 24 | 62000                      | 550 | 402766 | LM.60-SST M16x125-TR | 30000                      | 567 |
| 401771 | LM.60 M20x98-TR  | 60 | M20 | 135.5 | 98  | 37.5 | 24 | 95000                      | 550 | 402771 | LM.60-SST M20x98-TR  | 45000                      | 550 |
| 401773 | LM.60 M20x138-TR | 60 | M20 | 175.5 | 138 | 37.5 | 24 | 95000                      | 580 | 402773 | LM.60-SST M20x138-TR | 45000                      | 580 |
| 401776 | LM.60 M20x158-TR | 60 | M20 | 195.5 | 158 | 37.5 | 24 | 95000                      | 610 | 402776 | LM.60-SST M20x158-TR | 45000                      | 610 |
| 401781 | LM.60 M24x98-TR  | 60 | M24 | 135.5 | 98  | 37.5 | 24 | 95000                      | 610 | 402781 | LM.60-SST M24x98-TR  | 30000                      | 610 |
| 401783 | LM.60 M24x138-TR | 60 | M24 | 175.5 | 138 | 37.5 | 24 | 95000                      | 630 | 402783 | LM.60-SST M24x138-TR | 30000                      | 630 |
| 401786 | LM.60 M24x158-TR | 60 | M24 | 195.5 | 158 | 37.5 | 24 | 95000                      | 650 | 402786 | LM.60-SST M24x158-TR | 30000                      | 650 |



Levelling feet and supports