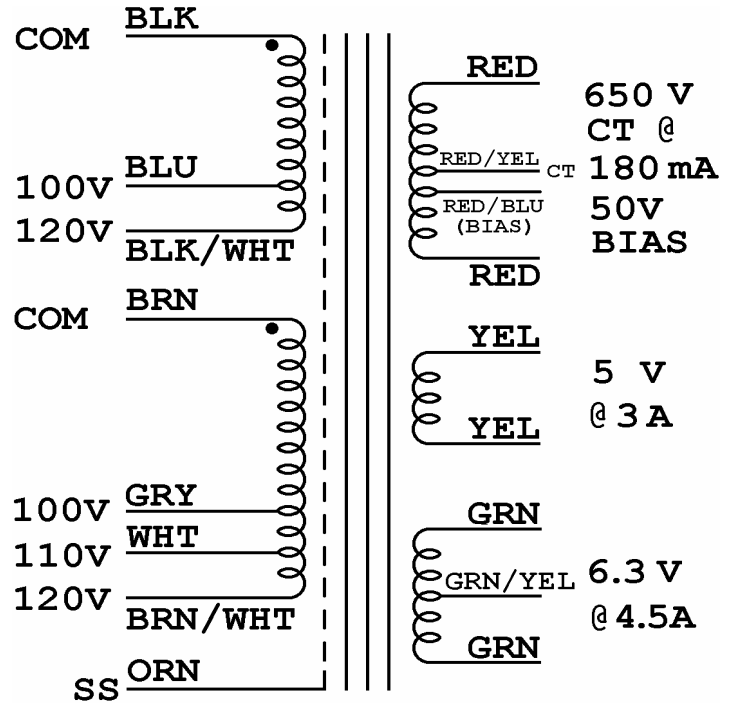
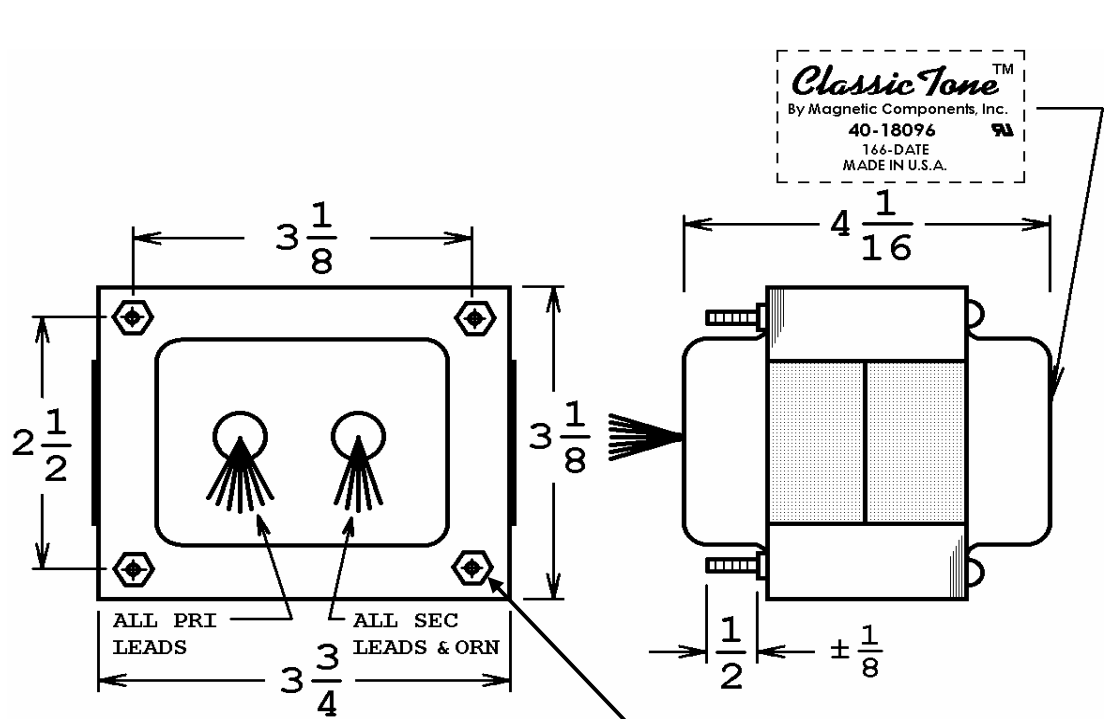


This drawing is the property of Magnetic Components, Inc. and shall not be reproduced, in whole or in part, without the written permission of Magnetic Components, Inc.

REVISIONS			
LTR	DESCRIPTION	DATE	APPROVED
A	RED/BLU WAS RED/GRN	01/04/13	M. Sacketti



USE FOUR # 8-32 HEX NUTS (NOT SUPPLIED) FOR CHASSIS MOUNTING. PLEASE DO NOT REMOVE EXISTING HEX NUTS.

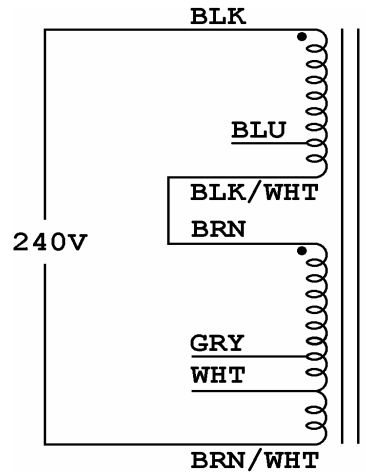
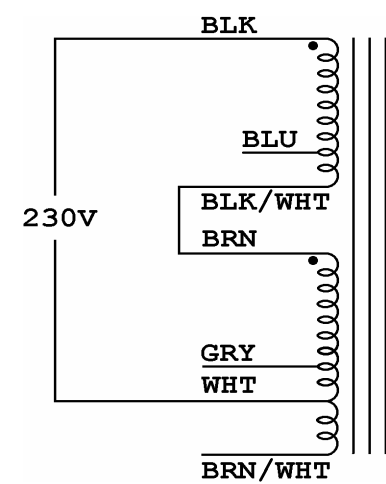
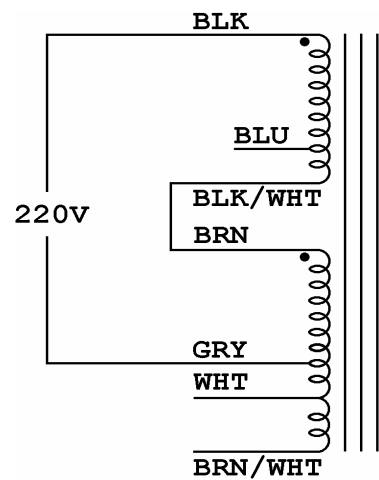
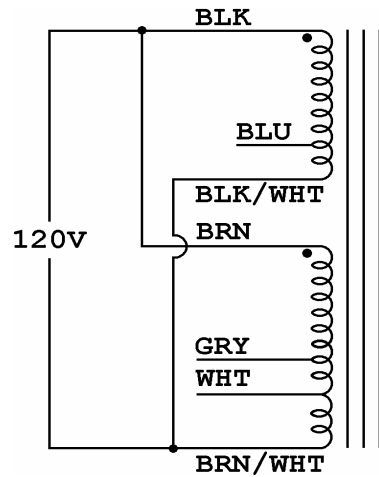
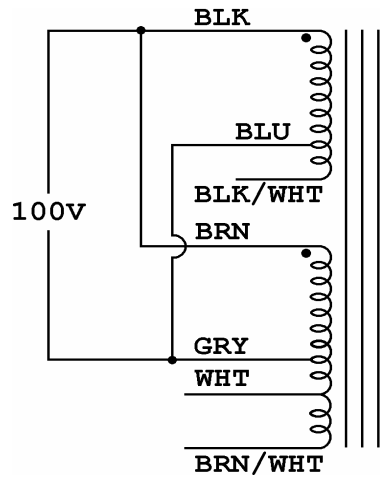
SEE SHEET 2 FOR PRIMARY CONNECTIONS

BIAS = RED/BLU-RED/YEL

UNLESS OTHERWISE SPECIFIED		SIGNATURES		DATE		MAGNETIC COMPONENTS, INC.		DIV :		
ALL DIMENSIONS IN INCHES DO NOT SCALE DRAWING		DRAWN : <i>M. Sacketti</i>		10 DEC 2012		TITLE		LOC : SCHILLER PK		
FRACTIONS +/-		CHECK :				POWER TRANSFORMER				
.X = +/-		APPR : <i>M. Sacketti</i>		10 DEC 2012		CAGE	50508	SIZE	PART No.	REV
.XX = +/-						SCALE		A	40-18096	A
.XXX = +/-						NONE				
ANGLES = +/-								SHEET : 1 OF 2		

This drawing is the property of Magnetic Components, Inc. and shall not be reproduced, in whole or in part, without the written permission of Magnetic Components, Inc.

REVISIONS			
LTR	DESCRIPTION	DATE	APPROVED



UNLESS OTHERWISE SPECIFIED ALL DIMENSIONS IN INCHES DO NOT SCALE DRAWING FRACTIONS +/- .X = +/- .XX = +/- .XXX = +/- ANGLES = +/-	SIGNATURES		DATE	MAGNETIC COMPONENTS, INC.	DIV : LOC : SCHILLER PK	
	DRAWN : <i>[Signature]</i>		10 DEC 2012	TITLE PRIMARY WIRING DIAGRAMS		
	CHECK :					
	APPR : <i>[Signature]</i>		10 DEC 2012	CAGE 50508	SIZE A	PART No. 40-18096
			SCALE NONE	SHEET : 2 OF 2		